

Datasheet

CFexpress 4IE3 series

- PCIe Gen3 x2, NVMe 1.4 SSD
- Standard & Wide temperature
- Ultra iSLC technology
- iPowerguard
- iDataguard
- Dynamic Thermal Management
- 256 bit AES hardware based encryption
- Support High Endurance
- Support Write Protection (optional)
- Support TCG OPAL Function (optional)



Introduction

Innodisk CFexpress 4IE3 adopts CFexpress Version 1.0 type B Form-Factor. With PCIe interface and 3D TLC NAND Flash, CFexpress 4IE3 supports PCIe Gen3 x2 and is compliant with NVMe 1.4, providing excellent top and sustained performance. Moreover, it adopts 3D TLC NAND Flash providing high endurance and reliability. With sophisticated error detection and correction (ECC) functions, the module can provide full End-to-end Data Path Protection that secures the data transmission between the host system and NAND Flash.

Innodisk CFexpress 4IE3 is a small and removable memory card providing low latency and extreme speed but with low power consumption. It is ideal for gaming, edge computing and professional digital recording.

Innodisk CFexpress 4IE3 is designed with AES engine, which is a built in controller. When controller receives the data package from host, AES engine encrypts the data package and saves the encrypted data into NAND flash. Thus, unauthorized personal has no access to decrypt the data in NAND flash.

CFexpress 4IE3 series

Contact us for more information
about the CFexpress 4IE3.

Innodisk is a service-driven provider of industrial embedded flash and DRAM storage products and technologies, with a focus on the cloud computing, industrial/embedded, and aerospace and defense industries.

Headquarters (Taiwan)

5F., No. 237, Sec. 1, Datong Rd., Xizhi
Dist., New Taipei City 221, Taiwan
Tel: +886-2-7703-3000
Email: sales@innodisk.com

Branch Offices:

USA
usasales@innodisk.com
+1-510-770-9421

Europe
eusales@innodisk.com
+31-40-3045-400

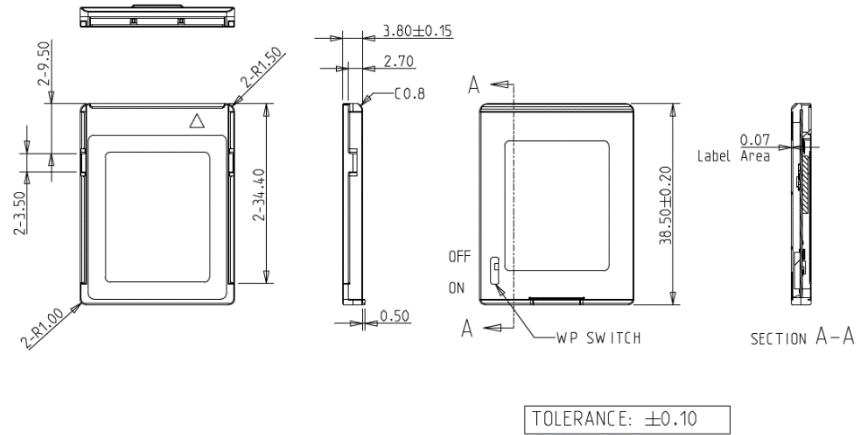
Japan
jpsales@innodisk.com
+81-3-6667-0161

China
sales_cn@innodisk.com
+86-755-21673689
www.innodisk.com

© 2024 Innodisk Corporation.
All right reserved. Specifications are
subject to change without
prior notice.

20240313

Diagram



Specifications

Interface	PCIe Gen3x2
Flash Type	iSLC (3D TLC)
P/E cycle	100,000
Capacity	40GB~640GB
Max. Channels	4
Sequential R/W (MB/sec, max.)	1,750/1,650
Max. Power Consumption	2.9W
Thermal Sensor	√
External DRAM buffer	-
H/W Write Protect	√ (optional)
AES	√
TCG OPAL	√ (optional)
Dimension (WxLxH)	29.6 X 38.5 X 3.8 mm
Environment	Vibration: 20G @7~2000Hz Shock: 1500G @ 0.5ms Storage Temperature: -40°C ~ +85°C MTBF: 3 million hours

Ordering Information

Operation Temp.	40GB	80GB	160GB	320GB	640GB
Standard Grade (0°C ~ +70°C)	DHCFX-40GDH1KCADL(W)	DHCFX-80GDH1KCAQL(W)	DHCFX-A60DH1KCAQL(W)	DHCFX-D2GDH1KCAQL(W)	DHCFX-F4GDH1KCAQQ(W)
Industrial Grade (-40°C ~ +85°C)	DHCFX-40GDH1KWADL(W)	DHCFX-80GDH1KWAQL(W)	DHCFX-A60DH1KWAQL(W)	DHCFX-D2GDH1KWAQL(W)	DHCFX-F4GDH1KWAQQ(W)

W: HW Write Protect

For TCG OPAL function, the PN Code 10th~12th will be DH2.

innodisk

www.innodisk.com