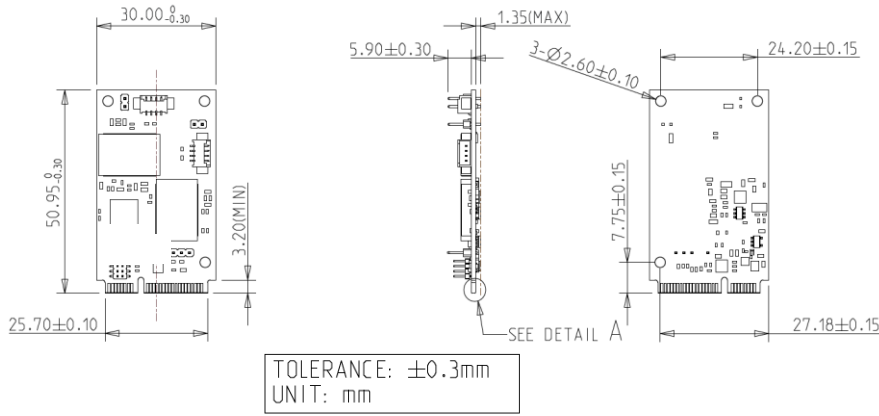


### Features

- Compliant with ISO 11898-2
- Support baud rate 5/10/20/50/100/125/250/500(default)/800/1000K
- Support CAN message acceptance filter, listen-only mode
- Keep configuration after hardware reboot
- Up to 7,800 frame/s (receiving at 1Mbps, EID, 8byte data)
- Additional driver to support Linux SocketCAN
- Support SAE J1939/CANopen high layer protocol (Optional)
- Termination resistor enabled/disabled by jumper
- Complies with EN61000-4-5 2.5kV Surge protection
- Complies with IEC 60950-1:2005 + A1: 2009 + A2:2013 2.5kV HiPOT protection
- Complaint with EN61000-4-2 (ESD) Air-15kV, Contact-8kV
- Supports 3<sup>rd</sup> mounting hole and USB Pin header for out-of-micard installation
- 30μ" golden finger, 3-year warranty
- Industrial Temperature (-40°C to +85°C) support
- Industrial design, manufactured in Innodisk Taiwan

### Mechanical Drawing



CAN DB9 Connector Pin Define		USB In Pin Define	
1	NC	1	5V
2	CAN-L	2	D-
3	GND	3	D+
4	NC	4	GND
5	NC	CAN Connector Pin Define	
6	NC	1	NC
7	CAN-H	2	CAN-H
8	NC	3	CAN-L
9	NC	4	GND

### Specifications

**Headquarters (Taiwan)**  
5F., No.237, Sec. 1, Datong Rd., Xizhi Dist., New Taipei City 221, Taiwan

Tel: +886-2-7703-3000  
Email: sales@innodisk.com

**Branch Offices:**  
**USA**  
usasales@innodisk.com  
+1-510-770-9421

**Europe**  
eusales@innodisk.com  
+31-40-3045-400

**Japan**  
jpsales@innodisk.com  
+81-3-6667-0161

**China**  
sales\_cn@innodisk.com  
+86-755-2167-3689

[www.innodisk.com](http://www.innodisk.com)

© 2024 Innodisk Corporation.  
All right reserved. Specifications are subject to change without prior notice.

March 15, 2024

Form-Factor	mPCIe
Input I/F	USB 2.0 High Speed (480Mbps)
Output I/F	CANbus 2.0B
Output Connector	2 x DB-9
Power Consumption	MAX : 2.115W (5V, 423mA; 3.3V, 641mA)
Dimension (WxLxH)	30 x 50.9 x 8.35 mm
Temperature	Operation: W/T: -40°C ~ +85°C Storage: -55°C ~ +95°C
Environment	Vibration: 5G @7~2000Hz, Shock: 50G @ 0.5ms
Notes	Download driver and API from MyInnodisk website. Windows: XP(32bit), 7(32/64bit), 8/8.1(32/64bit), 10(32/64bit), 11 Linux: Kernel 2.6 and above (Native CDC-ACM driver), Kernel 2.6.38 and above (SocketCAN Driver), 32/64bit Software API compatible with EMUC-B202/EGPC-B201.

### Order information

**EMUC-B2S3-W1 (CAN2.0B, Wide Temp.)**

mPCIe to dual isolated CANbus 2.0B Module

**EMUC-B2S3-W2 (J1939/CANopen, Wide Temp.)**

mPCIe to dual isolated CANbus J1939/CANopen Module