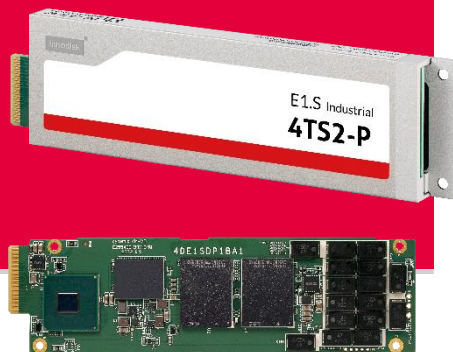


Datasheet

E1.S 4TS2-P series

- PCIe Gen. 4x4, NVMe 1.4.
- iCell technology for power loss protection.
- Stable sustained performance.
- LDPC ECC engine supported.
- Thermal Throttling management.



Introduction

Innodisk E1.S 4TS2-P is an NVM Express SSD designed as the standard E1.S form factor with PCIe interface and 3D TLC NAND Flash. E1.S 4TS2-P supports PCIe Gen. 4x4, and it is compliant with NVMe 1.4 providing excellent performance. E1.S 4TS2-P with heatsink design dissipates heat generated from IC, making SSD performs more steadily. E1.S 4TS2-P has Die RAID protection to reduce bad blocks happening and optimize data integrity.

Innodisk E1.S 4TS2-P provides ultra-speed and high IOPS and offers maximum capacity up to 3.2TB, making the SSD optimal for server and heavy data workload applications.

E1.S

4TS2-P series

Contact us for more information about the E1.S 4TS2-P.

Innodisk is a service-driven provider of industrial embedded flash and DRAM storage products and technologies, with a focus on the cloud computing, industrial/embedded, and aerospace and defense industries.

Headquarters (Taiwan)

5F., No. 237, Sec. 1, Datong Rd., Xizhi Dist., New Taipei City 221, Taiwan
Tel: +886-2-7703-3000
Email: sales@innodisk.com

Branch Offices:

USA
usasales@innodisk.com
+1-510-770-9421
Europe
eusales@innodisk.com
+31-40-3045-400
Japan
jpsales@innodisk.com
+81-3-6667-0161
China
sales_cn@innodisk.com
+86-755-21673689
www.innodisk.com

© 2024 Innodisk Corporation.
All right reserved. Specifications are subject to change without prior notice.

20240319

Diagram 5.9mm

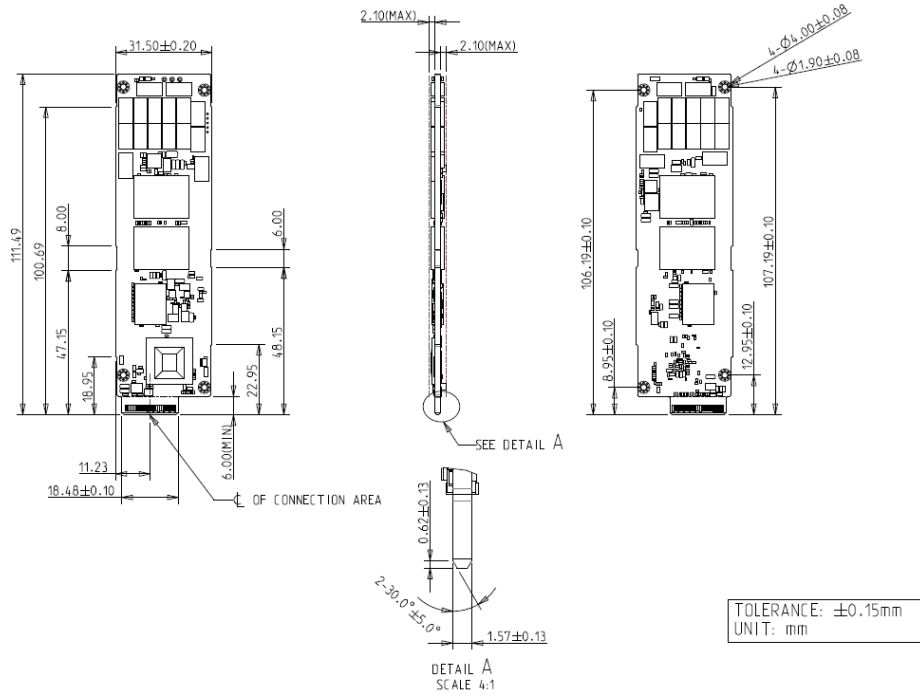


Diagram 9.5mm enclosure

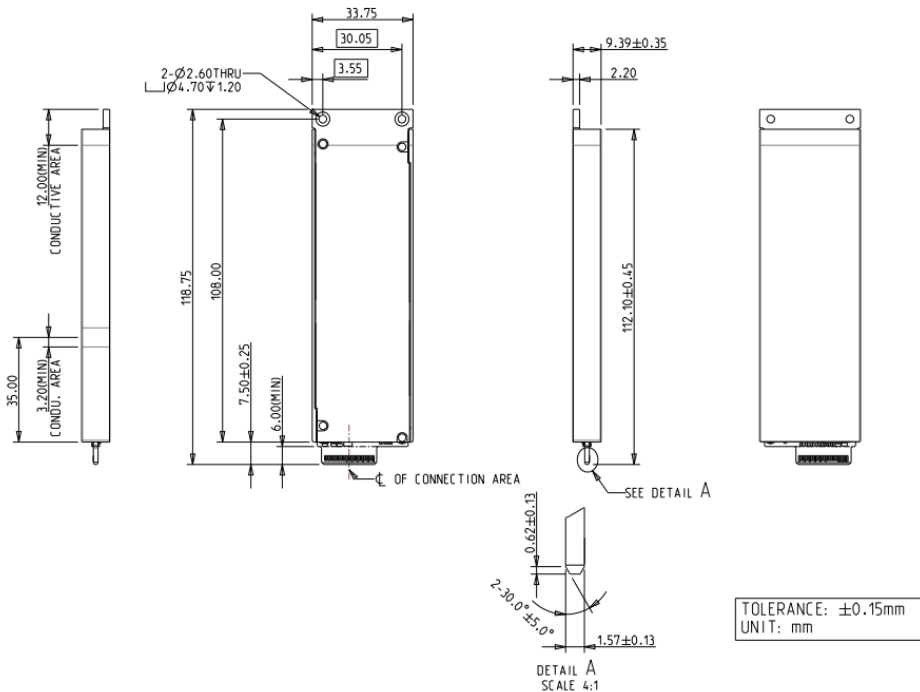


Diagram 15mm enclosure

Contact us for more information about the E1.S 4TS2-P.

Innodisk is a service-driven provider of industrial embedded flash and DRAM storage products and technologies, with a focus on the cloud computing, industrial/embedded, and aerospace and defense industries.

Headquarters (Taiwan)

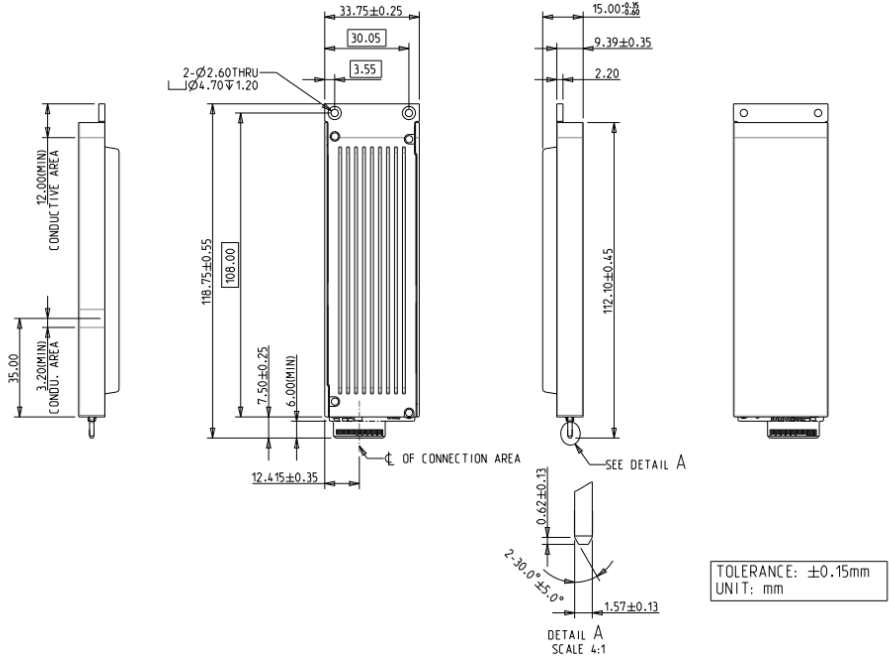
5F., No. 237, Sec. 1, Datong Rd., Xizhi Dist., New Taipei City 221, Taiwan
 Tel: +886-2-7703-3000
 Email: sales@innodisk.com

Branch Offices:

- USA
usasales@innodisk.com
 +1-510-770-9421
- Europe
eusales@innodisk.com
 +31-40-3045-400
- Japan
jpsales@innodisk.com
 +81-3-6667-0161
- China
sales_cn@innodisk.com
 +86-755-21673689
- www.innodisk.com

© 2024 Innodisk Corporation.
 All right reserved. Specifications are subject to change without prior notice.

20240319



Specifications

Contact us for more information about the E1.S 4TS2-P.

Innodisk is a service-driven provider of industrial embedded flash and DRAM storage products and technologies, with a focus on the cloud computing, industrial/embedded, and aerospace and defense industries.

Headquarters (Taiwan)

5F., No. 237, Sec. 1, Datong Rd., Xizhi Dist., New Taipei City 221, Taiwan
Tel: +886-2-7703-3000
Email: sales@innodisk.com

Branch Offices:

USA
usasales@innodisk.com
+1-510-770-9421
Europe
eusales@innodisk.com
+31-40-3045-400
Japan
jpsales@innodisk.com
+81-3-6667-0161
China
sales_cn@innodisk.com
+86-755-21673689
www.innodisk.com

© 2024 Innodisk Corporation.
All right reserved. Specifications are subject to change without prior notice.

20240319

Interface	PCIe Gen. 4x4
Flash Type	3D TLC
P/E cycle	3,000
Capacity	400GB~3.2TB
Max. Channels	8
Sequential R/W (MB/sec, max.)	6,900/4,650
Max. Power Consumption	10.9W
Thermal Sensor	√
External DRAM buffer	√
H/W Write Protect	NA
Dimension (WxLxH)	5.9mm: 31.5 X 111.5 X 5.9 mm 9.5mm: 33.75 X 118.75 X 9.5 mm 15mm: 33.75 X 118.75 X 15 mm
Environment	Vibration: 20G @7~2000Hz Shock: 1500G @ 0.5ms Storage Temperature: -40°C ~ +85°C MTBF: 3 million hours

Ordering Information

Operation Temp.	400GB	800GB	1.6TB	3.2TB
Standard Grade (0°C ~ +70°C)	DSE1S-400DP2KCAEFP%	DSE1S-800DP2KCAEFP%	DSE1S-1T6DP2KCAEFP%	DSE1S-3T2DP2KCAEFP%
Industrial Grade (-40°C ~ +85°C)	DSE1S-400DP2KWAEFP%	DSE1S-800DP2KWAEFP%	DSE1S-1T6DP2KWAEFP%	DSE1S-3T2DP2KWAEFP%

Operation temperature based on temperature obtained from S.M.A.R.T.

%: Non-existent=5.9mm; H=9.5mm enclosure; H1=15mm enclosure

E1.S 4TS2-P specifications are subject to change.

