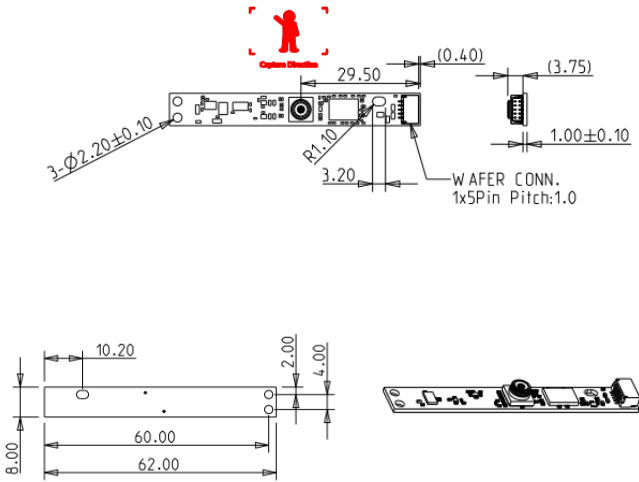


### Features

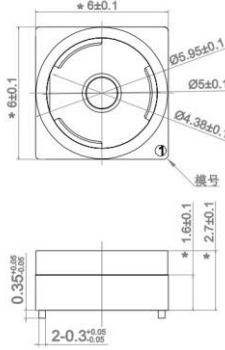
- 2592x1944@30fps (5MP)
- Lens D/H/V FOV: 73°/63.3°/49.6°
- OS Support: Windows, Linux, Android, MacOS (UVC)
- Compliant to USB2.0 and USB Video Class
- Complies with CE/FCC Class A

### Mechanical Drawing

#### Mechanical Drawing



#### Lens Specification



Items	Specification
Aperture F/no	2.2 $\pm$ 5%
Focal Length	2.27mm
Back Focal Length	0.7mm
TTL	3.25 $\pm$ 0.1mm
Image Circle	$\varnothing$ 3.9mm
Lens Structure	3P
Mount	M5*P0.35
Lens D/H/V FOV	73°/63.3°/49.6°

#### Headquarters (Taiwan)

5F., No.237, Sec. 1, Datong Rd., Xizhi Dist., New Taipei City 221, Taiwan  
Tel: +886-2-7703-3000  
Email: sales@innodisk.com

#### Branch Offices:

**USA**  
[usasales@innodisk.com](mailto:usasales@innodisk.com)  
+1-510-770-9421

**Europe**  
[eusales@innodisk.com](mailto:eusales@innodisk.com)  
+31-40-3045-400

**Japan**  
[jpsales@innodisk.com](mailto:jpsales@innodisk.com)  
+81-3-6667-0161

**China**  
[sales\\_cn@innodisk.com](mailto:sales_cn@innodisk.com)  
+86-755-21673689

[www.innodisk.com](http://www.innodisk.com)

© 2024 Innodisk Corporation. All right reserved. Specifications are subject to change without prior notice.

April 8, 2024

### Specifications

Resolution	2592x1944 @ 30fps
Output I/F	USB2.0
Power consumption	Approximate 1W
Dimension (WxLxH)	62 x 8 x 4.75 mm
Operating Temp.	-20°C ~ +50°C
Sensor Size	1/5"
Pixel Size	1.12um
Lens type	Fixed focus (M5)
Lens D/H/V FOV	73°/63.3°/49.6°
OS Support	Windows, Linux, Android, MacOS

### Order information

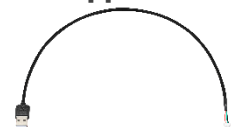
**EV5U-RGR1-MLCA-C1**

USB2.0 Fixed Focus Camera Module (USB Cable Included)

**7W2000000160**

USB2.0 cable 1 meter, 5 pins, pitch 1mm

### Cable appearance



[www.innodisk.com](http://www.innodisk.com)