

ECN-360A-ULT3

Fanless Embedded System with Intel® Solution



Features

- On-board CPU
 - » i5-6300U dual-core up to 3.0GHz
 - » 3955U dual-Core up to 2.0GHz
- Two 2.5" SATA 6Gb/s HDD/SSD drive bay
- Operating temperature: -20°C ~ 60 °C
- Two flexible E-Window for modularized expansion I/O

E-Window



Specifications

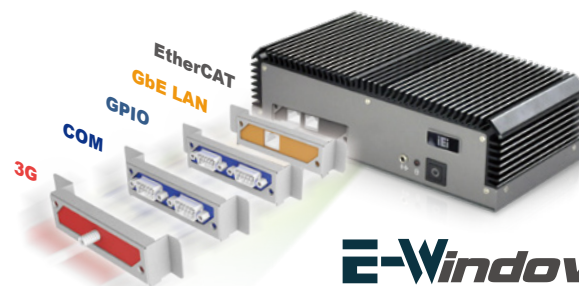
| Model Name | | ECN-360A-ULT3 |
|----------------|-------------------------|--|
| Chassis | Color | Black |
| | Dimensions (WxDxH) (mm) | 255 x 130 x 75 |
| | System Fan | Fanless |
| | Chassis Construction | SECC |
| Motherboard | Motherboard Model | NANO-ULT3 |
| | SBC Size (mm) | EPIC (165 x 115) |
| | Processor | Intel® Core™ i5-6300U Intel® Celeron® 3955U |
| | System Memory | Two 260-pin 2133/1866 MHz dual-channel DDR4 non-ECC unbuffered SO-DIMMs support up to 32GB, Pre-install 4GB DDR4 |
| Storage | Hard Drive | 2 x 2.5" SATA HDD/SSD bay (No RAID support) |
| I/O Interfaces | USB 3.2 Gen 1 | 4 |
| | Ethernet | LAN1: Intel® I219-LM LAN2: Intel® I211-AT |
| | COM Port | 1 x RS-232/422/485 2 x RS-232 |
| | Digital I/O | 8-bit digital I/O |
| | Display | 2 x HDMI |
| | Resolution | HDMI: up to 4096x2160@24Hz |
| | Audio | 1 x Line-out |
| | Wireless | 2 x 802.11b/g/n (optional) |
| Expansions | PCIe Mini | 1 x Full-size PCIe Mini card slot (with SIM holder & mSATA support) 1 x Half-size PCIe Mini card slot |
| Power | Power Input | DC 12V (Optional 9~36V) Power 1: DC jack Power 2: Terminal block(for optional 9~36V only) |
| | Power Consumption | 12 V@2.4 A (Intel® i5-6300U with 4GB DDR4 memory) |
| Reliability | Mounting | Wall mount, VESA 100 |
| | Operating Temperature | -20°C~60°C with air flow (SSD), 5% ~ 95%, non-condensing |
| | Operating Shock | Half-sine wave shock 5G, 11ms, 3 shocks per axis |
| | Operating Vibration | MIL-STD-810F 514.5C-2 (SSD) |
| | Weight (Net/Gross) | 2.2 kg/3 kg |

*3955U belongs to Skylake ULT Base series CPU, PCIe signal support only PCIe Gen 2

Friendly to Use

Easy for installation

- Flexible I/O function for expansion requirement
- Easy assembly and integration changing with IEI E-window tool kit



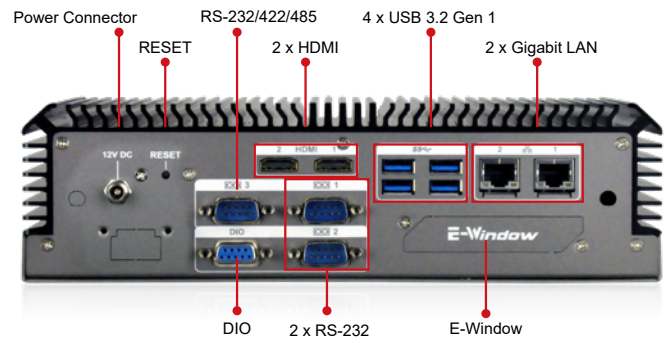
E-Window

Fully Integrated I/O

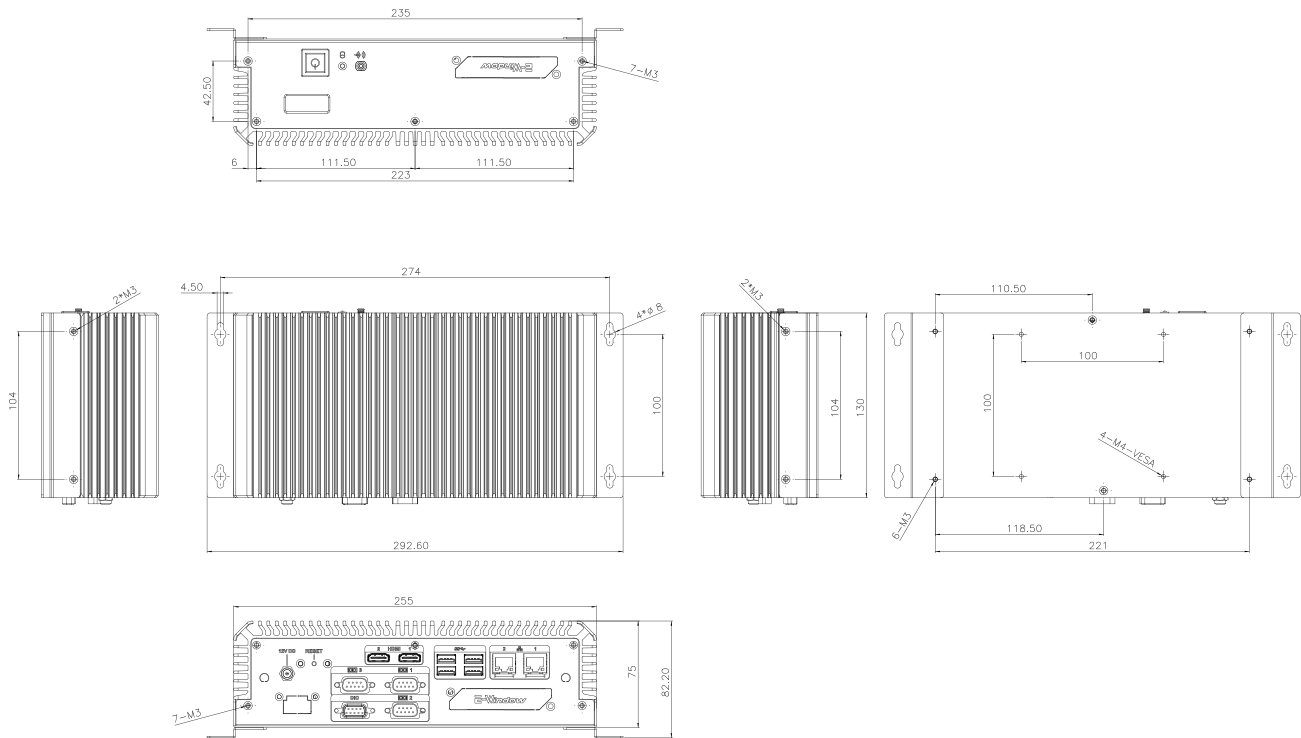
Front view



Rear view



Dimensions (Unit: mm)



Ordering Information

| Part No. | Description |
|------------------------------|--|
| ECN-360A-ULT3-i5/4G-R10 | Fanless System with Intel® Core™ i5-6300U up to 3.0GHz, TDP 15W, 2 x GbE LAN port, 2 x HDMI, 2 x 2.5" SATA HDD bay, 4GB memory pre-installed, 12V DC, RoHS |
| ECN-360A-ULT3-C/4GB-R10 | Fanless System with Intel® Celeron® 3955U up to 2.00 GHz, TDP 15W, 2 x GbE LAN port, 2 x HDMI, 2 x 2.5" SATA HDD bay, 4GB memory pre-installed, 12V DC, RoHS |
| ECN-360A-ULT3-C/WD/4GB-R10 | Fanless System with Intel® Celeron® 3955U up to 2.0GHz, TDP 15W, 2 x GbE LAN port, 2 x HDMI, 2 x 2.5" SATA HDD bay, 4GB memory pre-installed, 9-36V DC, RoHS |
| ECN-360A-ULT3-C/WD/4GB-R10** | Fanless System with Intel® Celeron® 3955U up to 2.0GHz, TDP 15W, 2 x GbE LAN port, 2 x HDMI, 2 x 2.5" SATA HDD bay, 4GB memory pre-installed, 9-36V DC, RoHS |
| 63040-010060-120-RS | FSP060-DIBAN2, 12V 60W AC/DC Adapter |
| E-MPCIE-LAN03-R10 | PCIe mini card supports 1-port GbE with REALTEK RTL8111E controller, with PMS 194C I/O bracket and 150 mm cable |
| E-MPCIE-DLAN03-R10 | PCIe mini card supports 2-port GbE with Intel® I211 controller, with PMS 194C I/O bracket and 150mm cable |

**By order production, MOQ: 50

Packing List

1 x Screw set

1 x Wall mount bracket