

Datasheet

CFexpress 4TE2 series

- PCIe Gen3 x2, NVMe 1.4 SSD
- iPower Guard
- iData Guard
- Hybrid Write Mode with SLC cache Enable
- Dynamic Thermal Management
- Support Write Protection (optional)



Introduction

Innodisk CFexpress 4TE2 adopts CFexpress Version 1.0 type B Form-Factor. With PCIe interface and 3D TLC NAND Flash, CFexpress 4TE2 supports PCIe Gen3 x2 and is compliant with NVMe 1.4, providing excellent top and sustained performance. Moreover, it adopts 3D TLC NAND Flash providing high endurance and reliability. With sophisticated error detection and correction (ECC) functions, the module can provide full End-to-end Data Path Protection that secures the data transmission between the host system and NAND Flash.

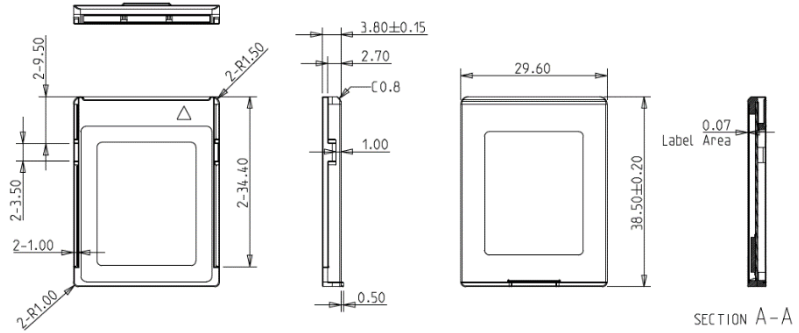
Innodisk CFexpress 4TE2 is a small and removable memory card providing low latency and extreme speed but with low power consumption. It is ideal for gaming, edge computing and professional digital recording.

CFexpress 4TE2 series

Contact us for more information
about the CFexpress 4TE2.

Innodisk is a service-driven provider of industrial embedded flash and DRAM storage products and technologies, with a focus on the cloud computing, industrial/embedded, and aerospace and defense industries.

Diagram



TOLERANCE: ±0.10mm

Specifications

Interface	PCIe Gen3 x2
Flash Type	3D TLC
P/E cycle	3,000
Capacity	128GB~1TB
Max. Channels	4
Sequential R/W (MB/sec, max.)	1,750/1,650
Max. Power Consumption	3.4W
Thermal Sensor	√
External DRAM buffer	-
H/W Write Protect	√ (optional)
Dimension (WxLxH)	29.6 X 38.5 X 3.8 mm
Environment	Vibration: 20G @7~2000Hz Shock: 1500G @ 0.5ms Storage Temperature: -40°C ~ +85°C MTBF: 3 million hours

Ordering Information

Operation Temp.	128GB	256GB	512GB	1TB
Standard Grade (0°C ~ +70°C)	DECFX-A28DF1KCADF(W)	DECFX-B56DF1KCAQF(W)	DECFX-C12DF1KCAQF(W)	DECFX-01TDF1KCAQF(W)

W: HW Write Protect

innodisk

www.innodisk.com

Headquarters (Taiwan)

5F., No. 237, Sec. 1, Datong Rd., Xizhi
Dist., New Taipei City 221, Taiwan
Tel: +886-2-7703-3000
Email: sales@innodisk.com

Branch Offices:

USA
usasales@innodisk.com
+1-510-770-9421

Europe
eusales@innodisk.com
+31-40-3045-400

Japan
jpsales@innodisk.com
+81-3-6667-0161

China
sales_cn@innodisk.com
+86-755-21673689
www.innodisk.com

© 2024 Innodisk Corporation.
All right reserved. Specifications are
subject to change without
prior notice.

202404