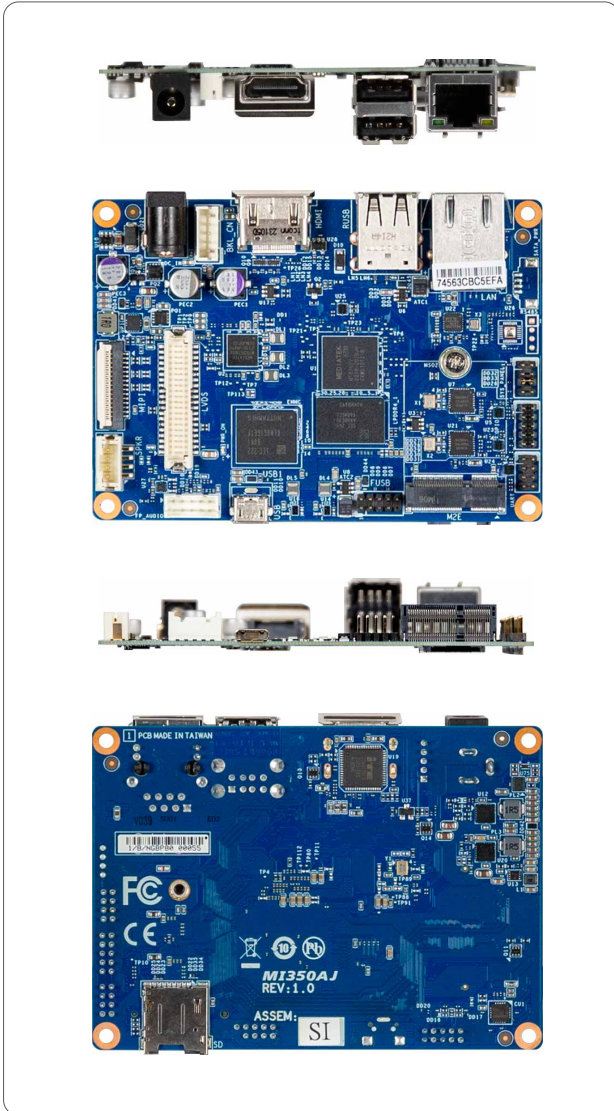


PICO-G350A (MI350AJ)

PICO-ITX with Arm® Quad-Core Cortex®-A53, Onboard LPDDR4X, eMMC 8GB, 4 x USB 2.0, 1 x USB OTG



Features

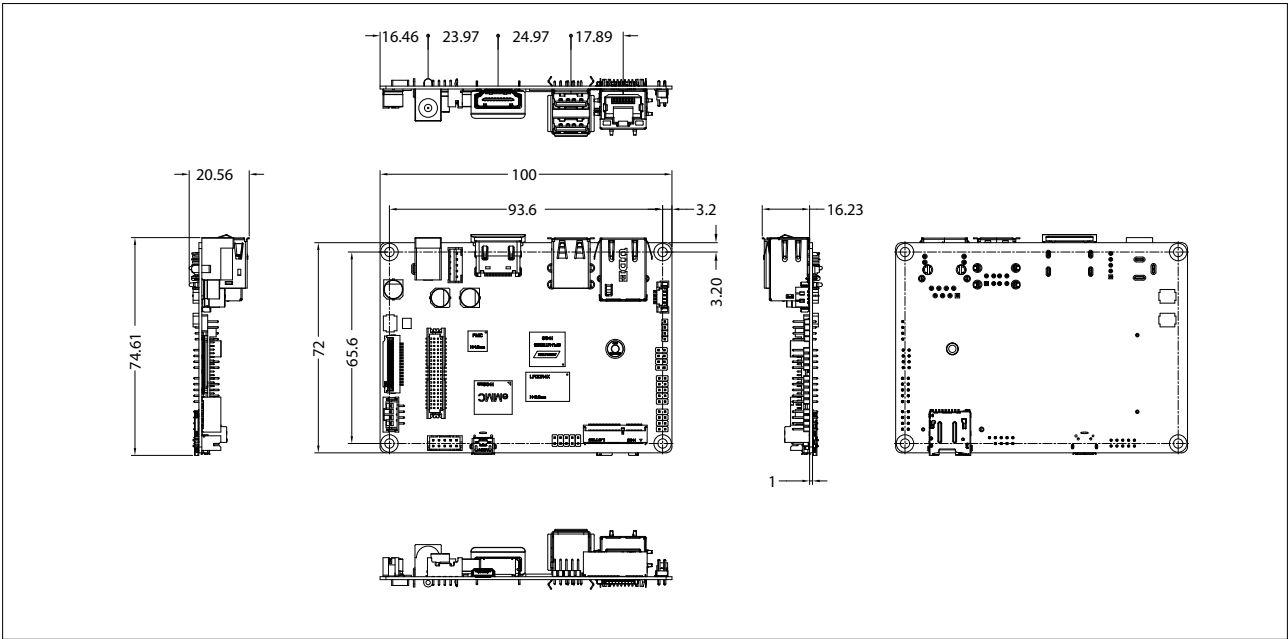
- PICO-ITX form factor
- MT8365 Arm® Quad-Core Cortex®-A53
- Onboard LPDDR4X 4GB
- eMMC 8GB
- 1 x HDMI port
- 1 x 2230 M.2 E-key for WiFi module
- 4 x USB 2.0 Ports, 1 x USB OTG
- Support Yocto OS

Expansion Slots	1 x 2230 M.2 E-Key, support AW-CB451NF-D (IEEE 802.11a/b/g/n/ac Wireless LAN 2T2R and Bluetooth 5.1 Combo Module)
Internal I/O	1 x Front panel header 1 x Front panel audio header 1 x Speaker header (2W/4ohm) 2 x UART 2 x USB 2.0 headers (host) 1 x USB 2.0 header (OTG) 1 x GPIO (8 bits) header 1 x MIPI-DSI (optional) 1 x Micro SD Slot
Front I/O	1 x OTG USB (internal micro-USB Connector)
Rear I/O	1 x DC In power jack - System adapter 12~24V 2 x USB 2.0 Ports (Host) 1 x RJ45 LAN Port 1 x HDMI
OS Compatibility	Support Yocto OS
Operating Properties	Operating temperature: 0°C to 60°C Operating humidity: 0-90% (non-condensing) Non-operating temperature: -40°C to 85°C Non-operating humidity: 0%-95% (non-condensing)
Packing Content	Carton size: 384 x 251 x 211 (mm) Packing Capacity: 20pcs Single Box size: 168 x 112 x 34 (mm)
Order Information	9MI350AJMR-SI (Box packing)

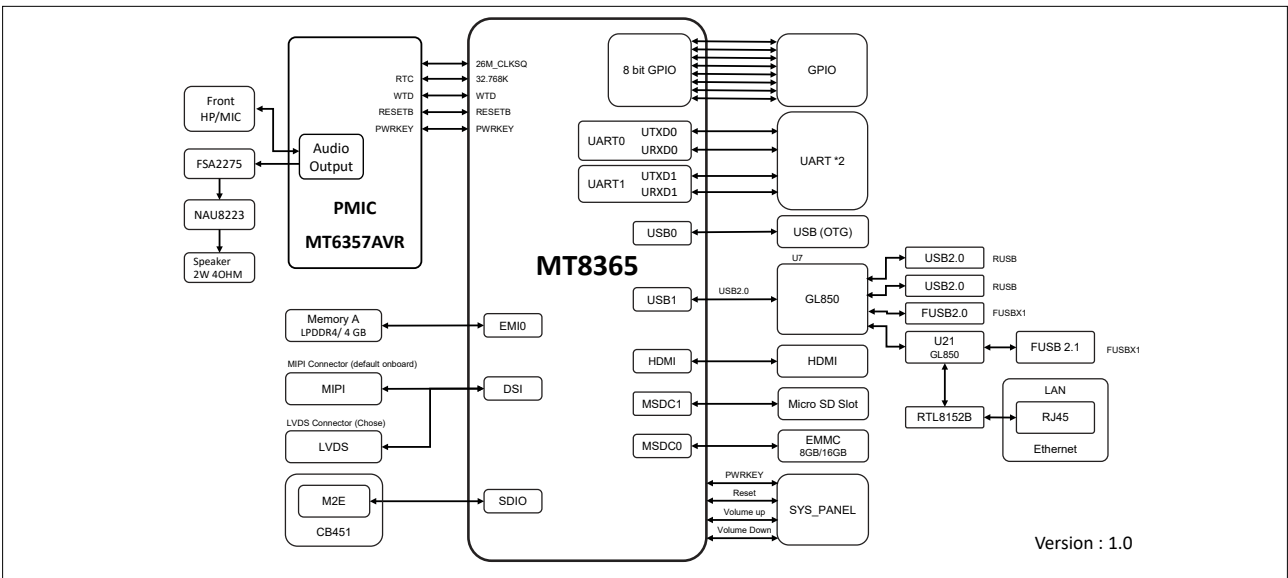
Specifications

Form Factor	PICO ITX 100W x 72D (mm)
CPU	MT8365 Arm® Quad-Core Cortex®-A53 up to 2.0GHz
Memory	LPDDR4X 4GB (on board)
Ethernet	Integrated 100M Ethernet
Video	Integrated Graphics Processor – Mali-G52: 1 x HDMI port, supporting a maximum resolution of 1920x1080 @30Hz 1 x LVDS port, supporting a maximum resolution of 1366x768 @24bit or 18bit (Optional) 1 x MIPI-DSI (Optional)
Audio	Integrated - Audio codec and amplifier
Storage	eMMC 8GB (on board)

GIGAIPC reserves the right to modify or change technical data without prior notice.



Block Diagram



GIGAIPC reserves the right to modify or change technical data without prior notice.