

Datasheet

# M.2 (P42) 3TE4 B+M Key with Innodisk NAND

- PCIe Gen. III x2, NVMe 1.3
- DRAM-less Solution
- Anti-Vibration mechanical design
- Dynamic Thermal Management
- iPower Guard Protection



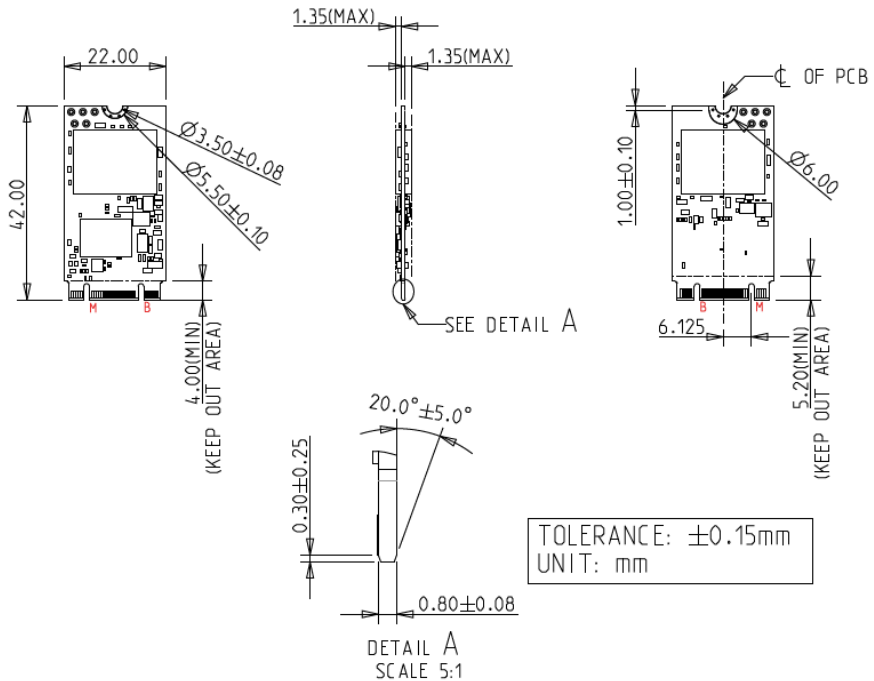
## Introduction

Innodisk M.2 (P42) 3TE4 B+M key is a NVM Express DRAM-less SSD designed with PCIe interface and industrial 3D TLC NAND Flash. M.2 (P42) 3TE4 B+M Key supports PCIe Gen III x 2 and it is compliant with NVM 1.3 providing excellent top and also outstanding sustained performance. With sophisticated error detection and correction (ECC) functions, the module can ensure full End-to-End data path protection that secures the data transmission between host system and NAND Flash.

# M.2 (P42)

## 3TE4 B+M Key with Innodisk NAND

### Diagram



Contact us for more information about the M.2 (P42) 3TE4.

Innodisk is a service-driven provider of industrial embedded flash and DRAM storage products and technologies, with a focus on the cloud computing, industrial/embedded, and aerospace and defense industries.

#### Headquarters (Taiwan)

5F., No. 237, Sec. 1, Datong Rd.,  
Xizhi Dist., New Taipei City 221,  
Taiwan  
Tel: +886-2-7703-3000  
Email: sales@innodisk.com

#### Branch Offices:

USA  
[usasales@innodisk.com](mailto:usasales@innodisk.com)  
+1-510-770-9421  
Europe  
[eusales@innodisk.com](mailto:eusales@innodisk.com)  
+31-40-3045-400  
Japan  
[jpsales@innodisk.com](mailto:jpsales@innodisk.com)  
+81-3-6667-0161  
China  
[sales\\_cn@innodisk.com](mailto:sales_cn@innodisk.com)  
+86-755-21673689  
[www.innodisk.com](http://www.innodisk.com)

© 2023 Innodisk Corporation.  
All right reserved. Specifications are  
subject to change without  
prior notice.

Interface	PCIe Gen. III x2
Flash Type	3D TLC
P/E cycle	3,000
Capacity	128GB~1TB
Max. Channels	4
Sequential R/W (MB/s, Max)	1,750/1,550
Max. Power Consumption (RMS)	3.3W
Thermal Sensor	√
External DRAM buffer	NA
H/W Write Protect	NA
iCell	NA
Dimension (WxLxH)	22.0 X 42.0 X 3.0 mm
Environment	Vibration: 20G @7~2000Hz Shock: 1500G @ 0.5ms Storage Temperature: -40°C ~ +85°C MTBF: 3 million hours

### Ordering Information

Operation Temp.	128GB	256GB	512GB	1TB
Standard Grade (0°C ~ +70°C)	DEM24-A28IB1KCCDL	DEM24-B56IB1KCCQL	DEM24-C12IB1KCCQL	DEM24-01TIB1KCCQL