

Datasheet

M.2 (P42) 3TE4 series with Innodisk NAND

- PCIe Gen. III x4, NVMe 1.3
- DRAM-less Solution
- Anti-Vibration mechanical design
- Dynamic Thermal Management
- iPower Guard Protection



Introduction

Innodisk M.2 (P42) 3TE4 is a NVM Express DRAM-less SSD designed with PCIe interface and industrial 3D TLC NAND Flash. M.2 (P42) 3TE4 supports PCIe Gen III x 4 and it is compliant with NVMe 1.3 providing excellent top and also outstanding sustained performance. With sophisticated error detection and correction (ECC) functions, the module can ensure full End-to-End data path protection that secures the data transmission between host system and NAND Flash.

M.2 (P42)

3TE4 series

Contact us for more information about the M.2 (P42) 3TE4.

Innodisk is a service-driven provider of industrial embedded flash and DRAM storage products and technologies, with a focus on the cloud computing, industrial/embedded, and aerospace and defense industries.

Headquarters (Taiwan)

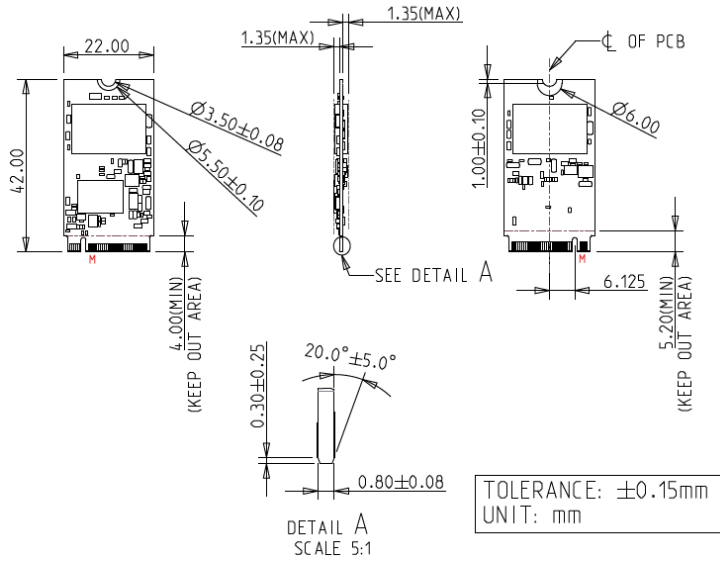
5F., No. 237, Sec. 1, Datong Rd.,
Xizhi Dist., New Taipei City 221,
Taiwan
Tel: +886-2-7703-3000
Email: sales@innodisk.com

Branch Offices:

USA
usasales@innodisk.com
+1-510-770-9421
Europe
eusales@innodisk.com
+31-40-3045-400
Japan
jpsales@innodisk.com
+81-3-6667-0161
China
sales_cn@innodisk.com
+86-755-21673689
www.innodisk.com

© 2023 Innodisk Corporation.
All right reserved. Specifications are
subject to change without
prior notice.

Diagram



Specifications

Interface	PCIe Gen. III x4
Flash Type	3D TLC
P/E cycle	3,000
Capacity	128GB~1TB
Max. Channels	4
Sequential R/W (MB/s, Max)	2,600/1,800
Max. Power Consumption (RMS)	4.0W
Thermal Sensor	√
External DRAM buffer	NA
H/W Write Protect	NA
iCell	NA
Dimension (WxLxH)	22.0 X 42.0 X 3.0 mm
Environment	Vibration: 20G @7~2000Hz Shock: 1500G @ 0.5ms Storage Temperature: -40°C ~ +85°C MTBF: 3 million hours

Ordering Information

Operation Temp.	128GB	256GB	512GB	1TB
Standard Grade (0°C ~ +70°C)	DEM24-A28IB1KCADL	DEM24-B56IB1KCAQL	DEM24-C12IB1KCAQL	DEM24-01TIB1KCAQL