

AFL4-W10-EHL

IEI Light Industrial Panel PC

Powered by Intel® Elkhart Lake Platform



IEI

WWW.IEIWORLD.COM



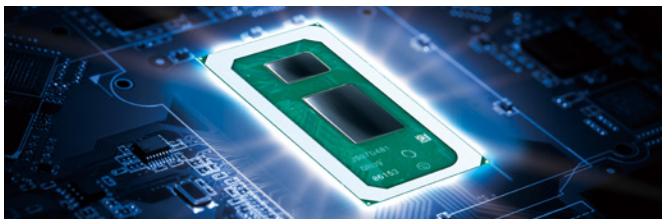
AFL4-W10-EHL

Fanless panel PC with narrow bezel design, Intel® Celeron® J6412 processor, on-board 8GB memory, HDMI output, dual 2.5GbE LAN, four UART, five USB, two M.2 M key expansion slots, and anti-glare & anti-UV 10-point touchscreen



Intel® Celeron® J6412 SoC

Intel® Elkhart Lake low power SoC, adopting 10nm process, 4-core 4-thread, 2.00GHz base frequency and up to 2.60GHz burst frequency



FHD Touch Display with Optical Bonding

Full HD LCD and high transmission touch screen using optical lamination process to bring great readability and image clarity



Anti-glare and Anti-UV PCAP

With anti-glare and anti-UV coating, the 10-point touchscreen can display clearly without reflection for a long time use in outdoors and bright light environment.



Works with Gloves and Water

The equipped capacitive touch screen supports gloved operation and waterproof function that can effectively eliminate false touch operating caused by water spray.



Extensive I/O Interfaces

The panel PC is small, but comes with abundant I/O for a variety of application scenarios. It includes four UART, five USB, two 2.5G network port and one HDMI interface.

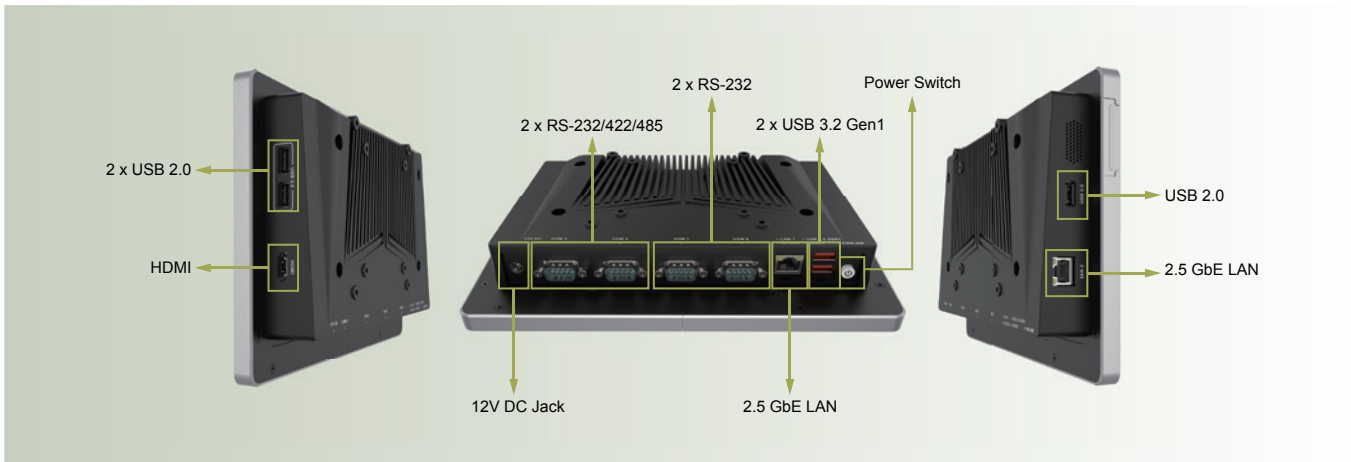


Support WiFi 6E and Bluetooth 5.2

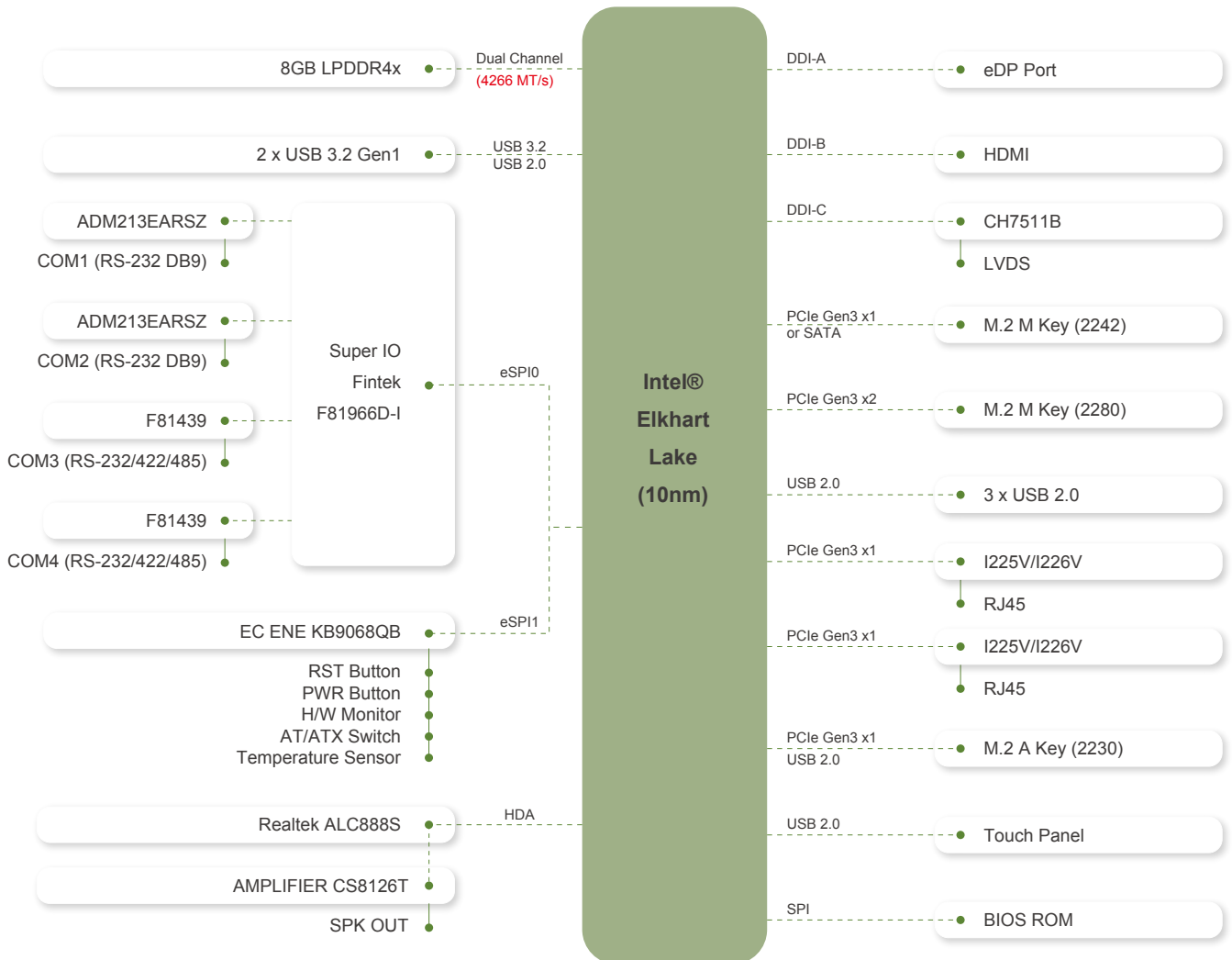
Strong Wi-Fi 6E wireless network capability provides more bandwidth, and the low latency Bluetooth 5.2 connection is more stable and consumes less power.



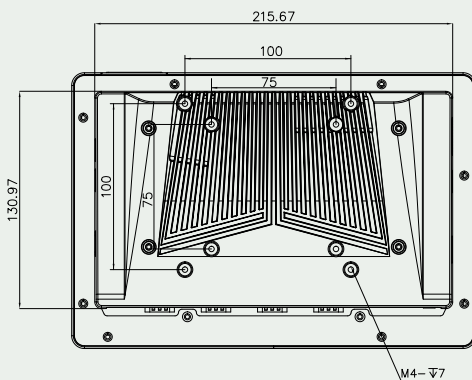
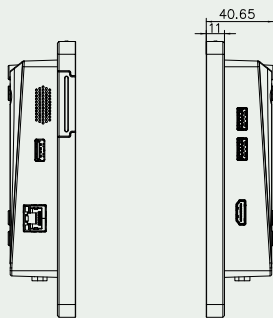
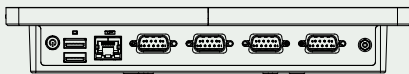
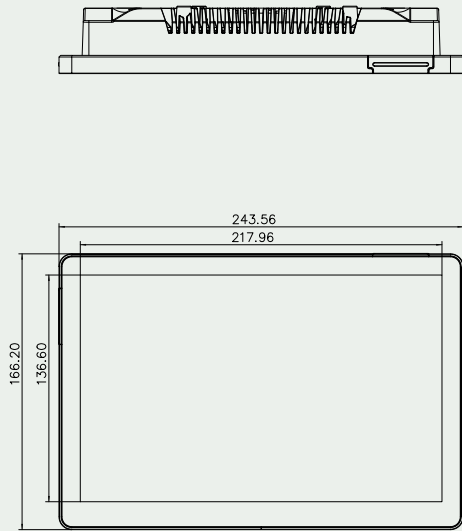
Fully Integrated I/O



Block Diagram



Dimensions (Unit: mm)



Specifications

| Model | | AFL4-W10-EHL |
|----------------------|--|---|
| LCD | Size | 10.1" (16:10) |
| | Resolution (WxH) | 1280 x 800 |
| | Brightness (cd/m ²) | 350 |
| | LCD Color | 16.7M |
| | Pixel Pitch (mm) | 0.1695 x 0.1695 |
| | Contrast Ratio | 900:1 |
| | Viewing Angle (H-V) | 170°/170° |
| Touch Panel | Backlight MTBF | 30000 hours |
| | Touch Screen | PCA with USB interface (anti-UV/AG coating) |
| Motherboard | Touch IC | EETI EXC 81 Series |
| | SOC | Intel® Celeron® Processor J6412 1.5M Cache, up to 2.60 GHz / TDP 10W |
| | RAM | Dual channel 8GB LPDDR4x on board |
| | Ethernet | LAN1: Intel® I225V/I226V 2.5GbE controller LAN2: Intel® I225V/I226V 2.5GbE controller |
| | Audio Codec | Realtek ALC888S |
| | Expansion & Storage | 1 x M.2 M key 2242 (PCIe Gen3 x1 or SATA) 1 x M.2 M key 2280 (PCIe Gen3 x2) |
| | I/O Ports & Switch | 2 x RS-232 by DB9 2 x RS-232/422/485 by DB9 2 x 2.5GbE LAN 2 x USB 3.2 Gen1 3 x USB 2.0 |
| Speaker | AMP 1.2W (internal speaker) | |
| Wireless & Bluetooth | IEEE 802.11ax 2T2R module (Wi-Fi 6E) with BT v5.2 (M.2 2230 A Key) | |
| Physical | Body Material | Aluminum die casting+SECC |
| | Mounting | Wall, Stand, Arm, VESA 75/100 |
| | Color | Silver+Black |
| Environment | Operating Temperature (°C) | -10 ~ 50 |
| | Storage Temperature (°C) | -20 ~ 60 |
| | Humidity | 10% to 95%@40°C (non-condensing) |
| | Safety&EMC | CE/EMC, UKCA, FCC, RED (Class A) |
| | Thermal Solution | Fanless |
| | Power Input | 12V DC |
| ErP | IP level | Front Panel Compliance IP64 |
| | Net weight | 1.370 kg |
| OS | ErP 2009/125/EC Windows 10/11 IoT / Linux | |

Packing List

| Item | Q'ty |
|---------------|------|
| Power cord | 1 |
| Power adapter | 1 |
| QIG | 1 |

Ordering Information

| Part No. | Description |
|-------------------------|--|
| AFL4-W10-EHL-J1 /8G-R10 | 10.1" 350cd/m ² 1280x800 fanless panel PC with Intel® Celeron® J6412 (10W) on-board processor, 8GB LPDDR4x on-board, Wi-Fi 6E and Bluetooth 5.2 module, PCAP touch, R10 |

Options

| Item | Part No. | Description |
|---------|---------------------------|--|
| Arm | ARM-11-RS | VESA 75/100 Desk Arm |
| Stand | STAND-C12-R10 | VESA 75/100 Easy Stand |
| V-Stand | VSTAND-A07-R11 | Stand V Type for AFL series, VESA 75 |
| Wall | AFLWK-12 | Monitor Wall Mount Kit |
| OS | AFL4-EHL-W10IoT21-E-R10 | OS Image with Windows® 10 Enterprise Entry 64-bit 2021 LTSC for all AFL4-X-EHL Series |
| | AFL4-EHL-Win11IoT22-E-R10 | OS Image with Windows® 11 IoT Enterprise MultiLang ESD OEI Entry 2022 GAC 64-bit for all AFL4-XXX-EHL Series |