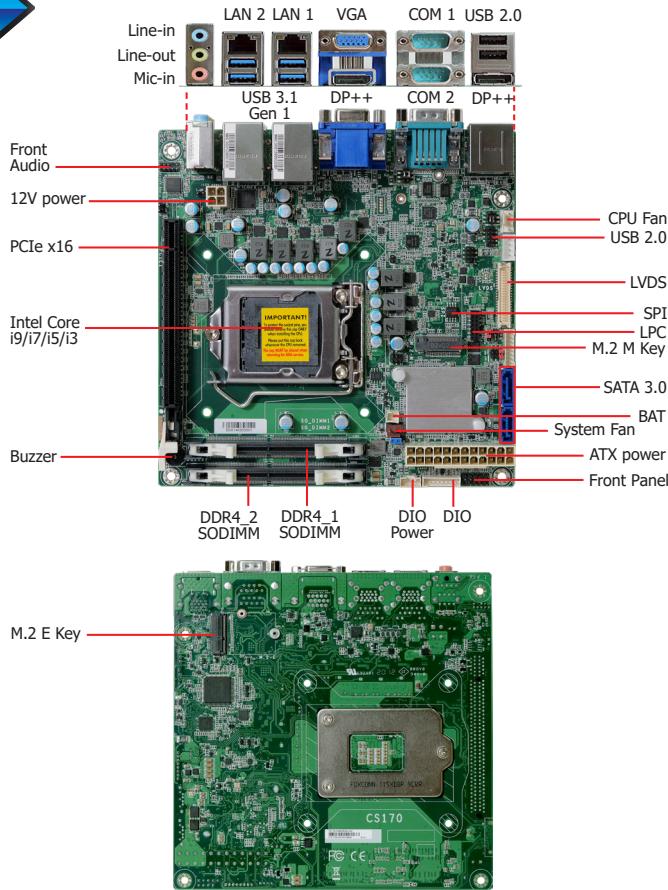


CS170-H310

Desktop

H310



Features

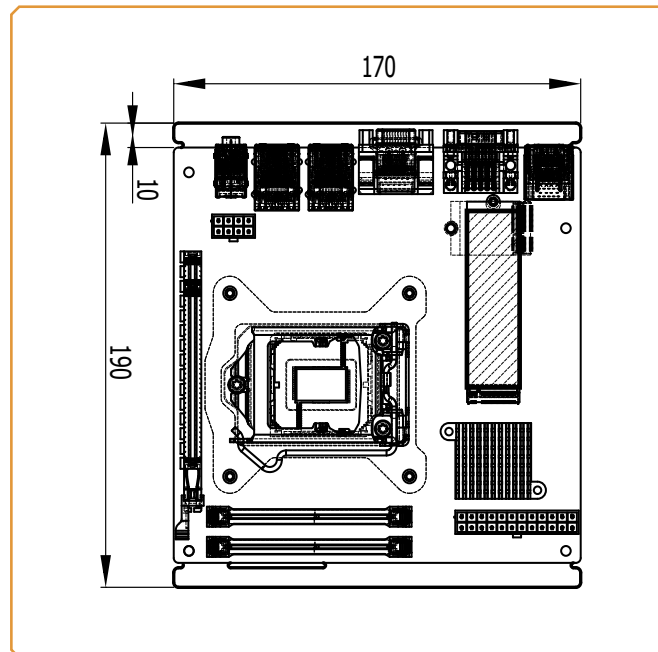
- 2 DDR4 2400/2666MHz SODIMM up to 32GB
- Dual independent display: LVDS + VGA, LVDS + DP++, VGA + DP++, DP++ + DP++
- DP++ resolution supports up to 4096x2304 @ 60Hz
- Multiple Expansions:
1 PCIe x16 Gen 3, 1 M.2 2230 E Key, 1 M.2 2280 M Key
- Storage: 2 SATA 3.0
- Rich I/O: 2 Intel GbE, 2 COM, 4 USB 3.1 Gen 1, 2 USB 2.0



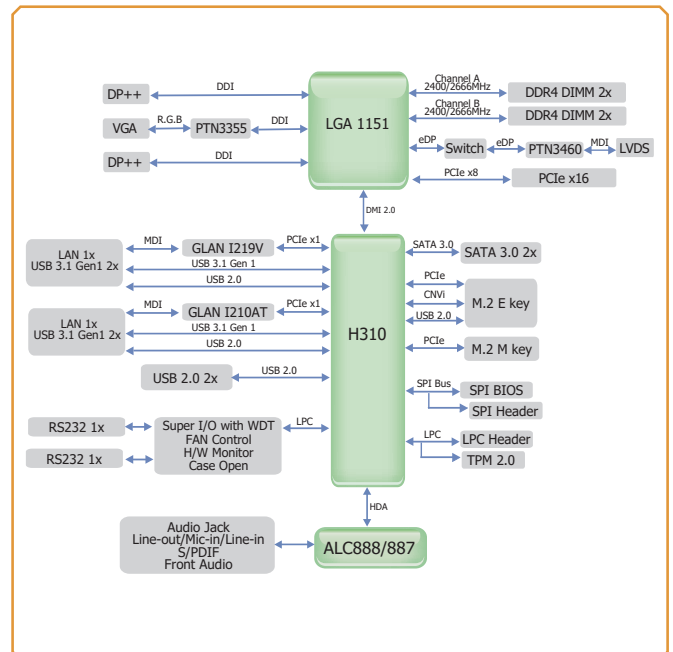
Ordering Information

Model Name	P/N	Memory	LVDS/eDP	Display	GbE	COM	USB 3.1 Gen 1	USB 2.0	M.2 M	M.2 E	SATA 3.0	Power Conn	Temp.
CS170-H310DB	770-CS1702-000G	2 DDR4	LVDS	2HDMI/DP++	2	2	4	2	1	1	2	24-pin ATX	-5 to 65°C

Mechanical Drawing



Block Diagram



Specifications

SYSTEM	Processor	9th Generation Intel® Core™ Processors, LGA 1151 Socket, TDP up to 95W Intel® Xeon E-2278GE Processor (Core 8; Max speed 4.7 GHz; TDP 80W) (support ECC memory) Intel® Core i9-9900K Processor (Core 8; Max speed 5.0 GHz; TDP 95W) (Non-LTS) Intel® Core i7-9700E Processor (Core 8; Max speed 4.4 GHz; TDP 65W) Intel® Core i7-9700TE Processor (Core 8; Max speed 3.8 GHz; TDP 35W) Intel® Core i5-9500E Processor (Core 6; Max speed 4.2 GHz; TDP 65W) Intel® Core i5-9500TE Processor (Core 6; Max speed 3.6 GHz; TDP 35W) Intel® Core i3-9100E Processor (Core 4; Max speed 3.7 GHz; TDP 65W) (support ECC memory) Intel® Core i3-9100TE Processor (Core 4; Max speed 3.2 GHz; TDP 35W) (support ECC memory) 8th Generation Intel® Core™ Processors, LGA 1151 Socket, TDP up to 95W Intel® Xeon E-2176G Processor (Core 6; Max speed 4.7 GHz; TDP 80W) (support ECC memory) Intel® Core™ i7-8700 Processor (Core 6; Max speed 4.6 GHz; TDP 65W) Intel® Core™ i7-8700T Processor (Core 6; Max speed 4.0 GHz; TDP 35W) Intel® Core™ i5-8500 Processor (Core 6; Max speed 4.1 GHz; TDP 65W) Intel® Core™ i5-8500T Processor (Core 6; Max speed 3.5 GHz; TDP 35W) Intel® Core™ i3-8100 Processor (Core 4; Max speed 3.6 GHz; TDP 65W) (support ECC memory) Intel® Core™ i3-8100T Processor (Core 4; Max speed 3.1 GHz; TDP 35W) (support ECC memory) Intel® Pentium G5400 Processor (Core 2; Max speed 3.7 GHz; TDP 58W) (support ECC memory) Intel® Celeron G4900 Processor (Core 2; Max speed 3.1 GHz; TDP 54W) (support ECC memory)	
	Memory	Dual Channel DDR4 2400/2666MHz Two 260-pin non-ECC SODIMM up to 32GB	
	Chipset	Intel® H310 Chipset	
	BIOS	AMI SPI 128Mbit	
	GRAPHICS	Controller	Intel® UHD Graphics 630 (Pentium G5400 and Celeron G4900 support Intel® UHD Graphics 610)
	Feature	OpenGL 4.5, DirectX 12, OpenCL 2.1 HW Decode: AVC/H.264, MPEG2, VC1/WMV9, JPEG/MJPEG, HEVC/H265, VP8, VP9 HW Encode: AVC/H.264, MPEG2, JPEG, HEVC/H265, VP8, VP9	
	Display	1 x LVDS 1 x VGA 2 x DP++	LVDS: resolution up to 1920x1200 @ 60Hz VGA: resolution up to 1920x1200 @ 60Hz DP++: resolution up to 4096x2304 @ 60Hz
	Dual Displays	LVDS + VGA, LVDS + DP++, VGA + DP++, DP++ + DP++	
EXPANSION	Interface	1 x PCIe x16 (Gen3) (Max. 75W) 1 x M.2 2280 M Key (PCIe x1 Gen2) (support NVMe) 1 x M.2 2230 E Key (USB/PCIe x1 Gen2)	
AUDIO	Audio Codec	Realtek ALC888/887	
ETHERNET	Controller	1 x Intel® I219V PHY (10/100/1000Mbps) 1 x Intel® I210AT PCIe (10/100/1000Mbps)	
REAR I/O	Ethernet	2 x GbE (RJ-45)	
	USB	4 x USB 3.1 Gen1 2 x USB 2.0	
	Display	1 x VGA (DB-15) 2 x DP++	
	Serial	2 x RS-232 (DB-9)	
	Audio	1 x Line-out 1 x Mic-in 1 x Line-in	
INTERNAL I/O	Display	1 x LVDS	1 x LCD/Inverter Power
	Audio	1 x Front Audio (2.00mm pitch)	
	USB	2 x USB 2.0 (2.00mm pitch)	
	SATA	2 x SATA 3.0 (up to 6Gb/s)	
	DIO	1 x 8-bit DIO	1 x DIO Power
	LPC	1 x LPC	
	SMBus	1 x SMBus	
WATCHDOG TIMER	Output & Interval	System Reset, Programmable via Software from 1 to 255 Seconds	
SECURITY	TPM	dTPM2.0 (default)	
POWER	Type	ATX	
	Connector	4-pin ATX 12V power	24-pin ATX power
	RTC Battery	CR2032 Coin Cell	
	Consumption	TBD	
OS SUPPORT	Microsoft/Linux	Windows 10 IoT Enterprise 64-bit	Linux
ENVIRONMENT	Temperature	Operating: -5 to 65°C	Storage: -40 to 85°C
	Humidity	Operating: 5 to 90% RH	Storage: 5 to 90% RH
	MTBF	TBD	
MECHANICAL	Dimensions	Mini-ITX Form Factor	170mm (6.7") x 170mm (6.7")
	Height	PCB: 1.6mm	Top Side: 20mm, Bottom Side: 3mm
CERTIFICATIONS	CE, FCC Class B, RoHS		

Packing List

• 1 CS170 motherboard	
• 1 Serial ATA data cable (Length: 500mm)	332-553001-005G
• 1 I/O shield	A49-CVL000-A10G

Optional Items

• USB port cable (Length: 200mm)	A81-001032-016G
• Serial ATA data cable (Length: 500mm)	332-553001-005G
• Thermal solution (For 35W, Height: 37.3mm)	A71-103004-000G
• Thermal solution (For 65W, Height: 74.47mm)	A71-101158-000G
• Thermal solution (For 95W, Height: 77.2mm)	761-103001-000G