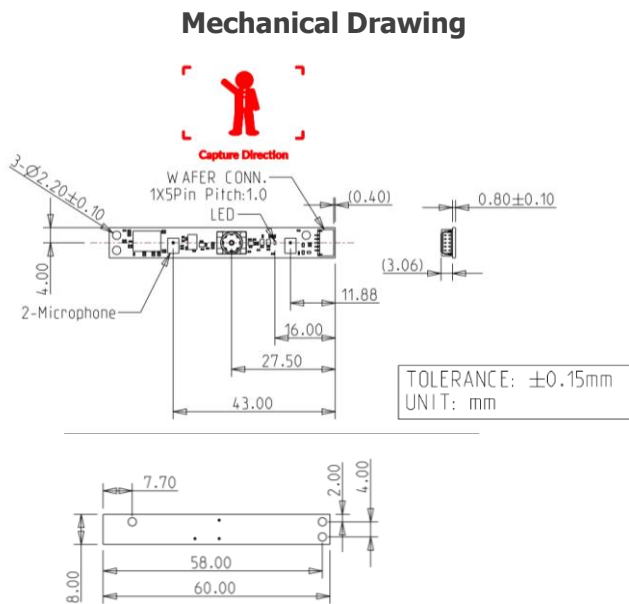


Features

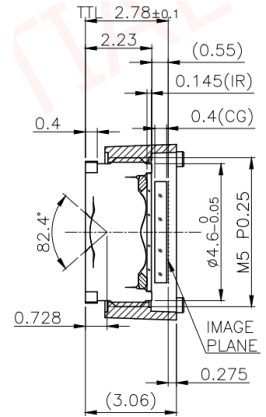
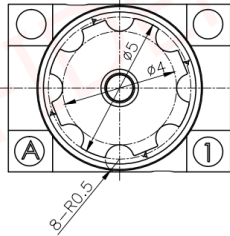
- 1920x1080@30fps
- HDR
- Lens D/H/V FOV:77.3°/69.9°/42.7°
- OS Support: Windows, Linux, Android, MacOS (UVC)
- Compliant to USB2.0 and USB Video Class
- Complies with CE/FCC Class A

Mechanical Drawing



Lens Specification

Lens FOV:
 Vertical:42.7°
 Horizontal:69.9°
 Diagonal:77.3°
 Composition:4P
 IRCF:650nm



Headquarters (Taiwan)

5F., No. 237, Sec. 1, Datong Rd.,
 Xizhi Dist., New Taipei City 221,
 Taiwan
 Tel: +886-2-7703-3000
 Email: sales@innodisk.com

Branch Offices:

USA
usasales@innodisk.com
 +1-510-770-9421

Europe
eusales@innodisk.com
 +31-40-3045-400

Japan
jpsales@innodisk.com
 +81-3-6667-0161

China
sales_cn@innodisk.com
 +86-755-2167-3689

www.innodisk.com

© 2024 Innodisk Corporation.
 All right reserved. Specifications
 are subject to change without
 prior notice.

June 14, 2024

Specifications

Resolution	1920x1080 @ 30fps
Output I/F	USB2.0
Power consumption	Approximate 1W
Dimension (WxLxH)	60 x 8 x 3.85 mm
Operating Temp.	-35°C ~ +70°C
Sensor Size	1/6"
Pixel Size	1.4 um
Lens type	Fixed focus (M5)
Lens D/H/V FOV	77.3°/69.9°/42.7°
OS Support	Windows, Linux, Android, MacOS

Order information

EV2U-RMR1-UMCB-C1

USB2.0 Fixed Focus Camera Module (USB Cable Included)

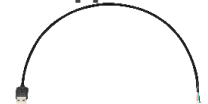
EV2U-RMR1-UMCB-C2

USB2.0 Fixed Focus Camera Module with DMIC (USB Cable Included)

7W2000000160

USB2.0 cable 1 meter, 5 pins, pitch 1mm

Cable appearance



www.innodisk.com