

W27L100-MRA1FP

27" ECDIS Marine Display



KEY FEATURES

- 27" 1920 x 1080 resolution with projective capacitive multi-touch screen
- Edge to edge narrow bezel design and fanless cooling system
- OSD Key For quick mode changing between ECDIS DAY, DUSK, and NIGHT mode
- 9~36 V DC to DC power input acceptable (Isolation Resistance)
- Meet the requirements of industrial marine standards, compatible with IEC60945 4th Edition, DNVGLCG0339, IACS E10
- Color calibrated for ECDIS compliance (Optional)

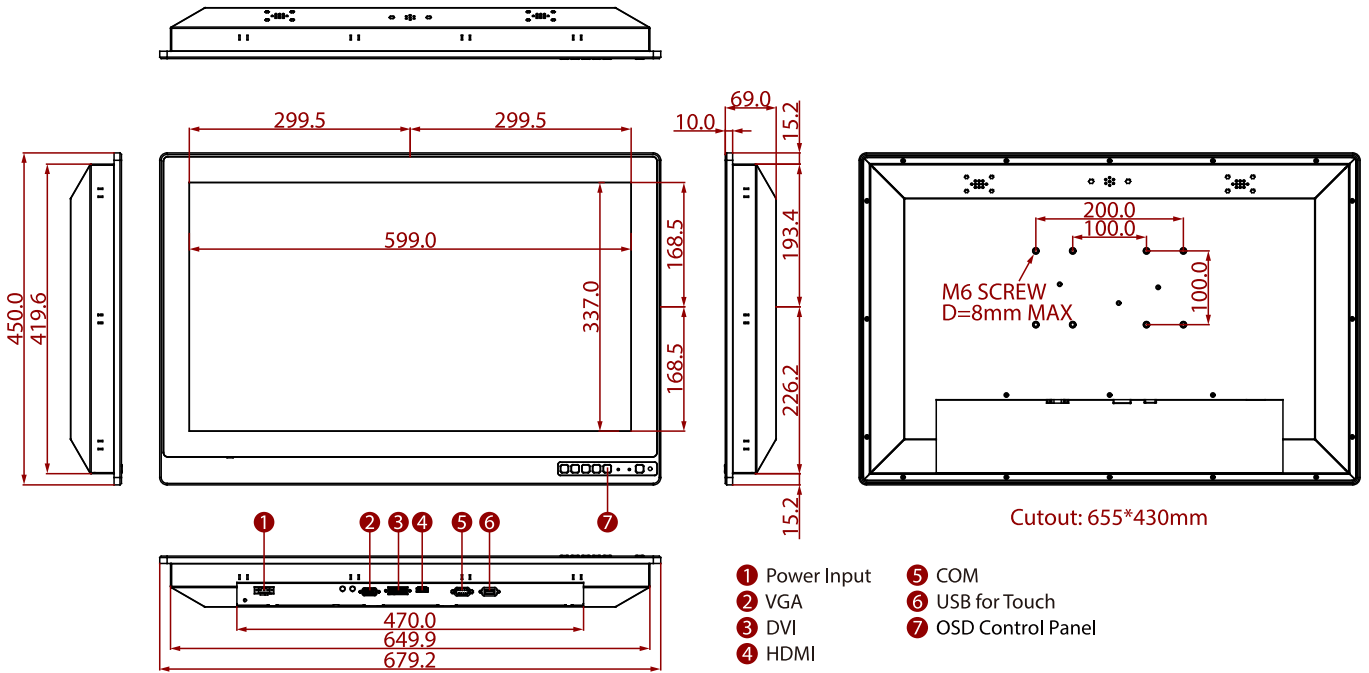


SPECIFICATIONS

Display			
Resolution	1920x1080	Size	27.0 inches
Contrast Ratio	3000:1	Panel Brightness	300.0 nits
Display Color	16.7M Colors	View Angles	89,89,89,89
Active Area	599x337 mm	Touch / Glass	Projected Capacitive Multi Touch Screen (AR Film) AG film (Optional) AR Glass (Optional)
Environment			
Operating Humidity	5% to 95%	Operating Temperature	-15~55°C
Shock	15G, 11ms duration	Vibration	0.7g@DNVGL CG-0339 (Class A)
IP rating	IP66 (Front Side)		
Certification			
Certification	CE, FCC		
IO Ports			
USB Port	1 x USB Type A	Serial Port	1 x RS232 for remote control
Video	1 x VGA 1 x DVI-D 1 x HDMI 1.4		
Mechanical			
Dimension	679.2 x 455.6 x 85.5 mm	Weight	13.7 kg
Mounting	VESA Mount/ Panel Mount	Enclosure	Anodized Aluminum Bezel
Cooling System	Fanless Design	Cut out	655 x 430 mm
Power			
Power Rating	24V DC-in with Isolation (Approval by Certificate) 9~36V DC Input Acceptable	Consumption	55W (Typical)
Accessory			
Accessory	User Manual Mounting clips x 16 AC to 12V DC Adapter Power Cord 3 Pin Terminal Block Open Wire Cable 1 x VGA cable		

- 1 x DVI cable
- 1 x HDMI cable
- 1 x RS232 cable
- 1 x USB cable

DIMENSIONS UNIT:MM



NOTE

1. This is a simplified drawing and some components are not marked in detail.
2. Please contact our sales representative if you need further product information.
3. All specifications are subject to change without prior notice.
4. The product shown in this datasheet is a standard model. For diagrams that contain customized or optional I/O, please contact the Winmate Sales Team for more information.