

W15FA3S-ELA4

15.6" NXP i.MX6 Android HMI Panel PC



KEY FEATURES

- 15.6" 1920 x 1080 Resolution with Projected Capacitive Multi-Touch (P-CAP)
- NXP i.MX6 Dual Core 1GHz, Android HMI Panel PC
- Fanless cooling system and Ultra-low power consumption
- Front IP65 Water and Dust Proof
- 1 x USB; 1 x RS485; 1 x USB OTG; 1 x RJ45/LAN



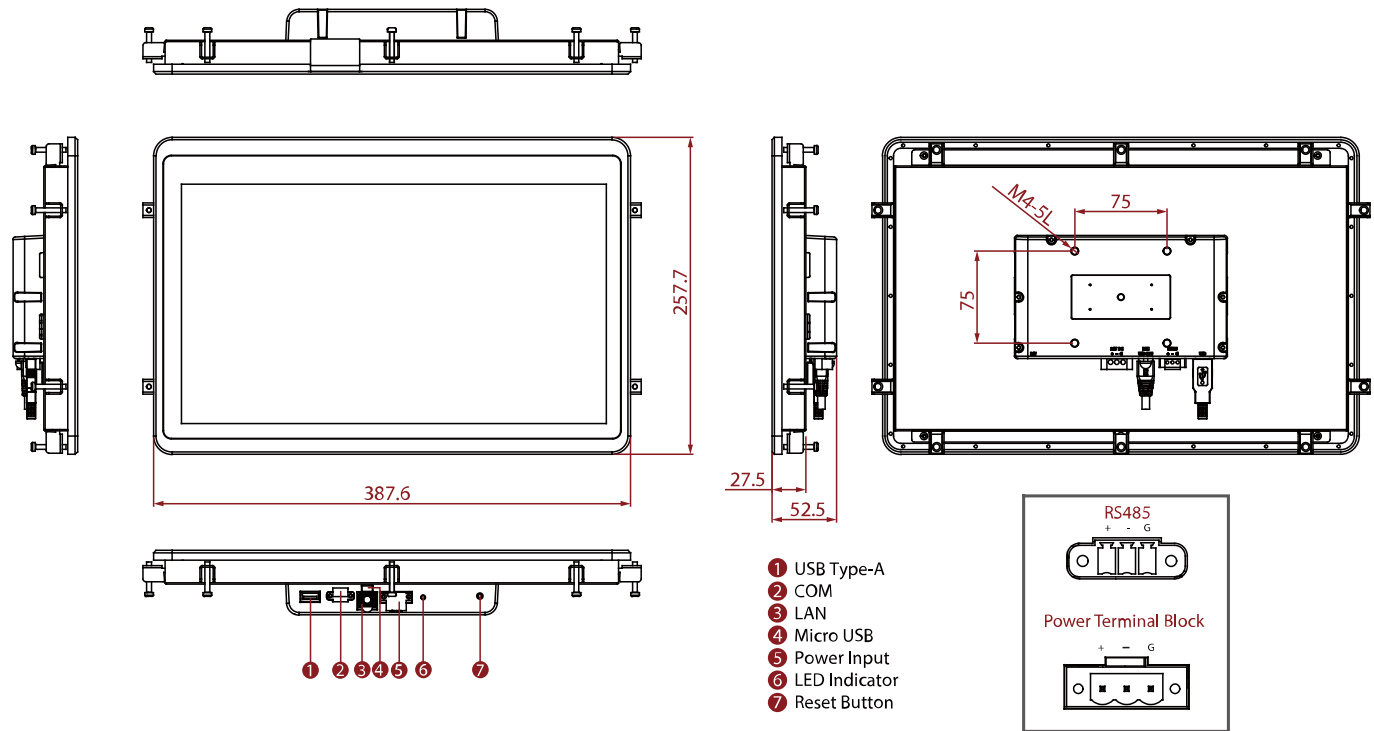
SPECIFICATIONS

| Display | | | |
|----------------------|---|-----------------------|--|
| Resolution | 1920x1080 | Size | 15.6 inches |
| Contrast Ratio | 800:1 | Panel Brightness | 300.0 nits |
| View Angles | 85,85,85,85 | Active Area | 344.16x193.59 mm |
| Touch / Glass | Projected Capacitive Multi Touch Screen | | |
| System Specification | | | |
| Processor | NXP i.MX6 Dual Core, 1.0GHz | Memory | 1GB 2GB (Optional) |
| Storage | eMMC: Onboard 8 GB | Operating System | Linux Ubuntu 18.04 (Optional) Android 6.0 (Optional) Debian 7.0 (Optional) Linux 4.1.15 QT 5.5 (Optional) |
| Mechanical | | | |
| Dimension | 387.6 x 257.7 x 52.5 mm | Weight | 2.2 kg |
| Mounting | Panel mount VESA Mount | Enclosure | Metal Housing |
| Cooling System | Fanless design | Cut out | 371.6 x 223.5 mm |
| Environment | | | |
| Operating Humidity | 10% to 90% RH, Non-Condensing | Operating Temperature | 0°C to 50°C |
| Storage Temperature | -10°C to 60°C | IP rating | Front IP65 |
| Certification | | | |
| Certification | CE, FCC | | |
| IO Ports | | | |
| Power Input | 1 x 12~24V DC, 3-Pin Terminal Block | USB Port | 1 x USB2.0 (Type-A) 1 x USB OTG |
| Serial Port | 1 x RS485, 3pin Terminal block | LAN | 1 x LAN RJ45 Connector |
| Indicator | 1 x LED Indicator for storage | | |
| Control | | | |
| Button | 1 x Reset Button | | |
| Accessory | | | |

| | |
|------------------|--|
| Accessory | 100~240V AC to DC Adapter Power Cord Terminal Block to 2.5Ø Female Adapter Cable Open Wire Cable with terminal block connector Mounting clips VESA screws |
|------------------|--|

| | | | |
|---------------------|--|----------------|---------|
| Power | | | |
| Power Rating | 12V~24V with isolation, 3-Pin Terminal Block | Adapter | 12V 50W |

DIMENSIONS UNIT:MM



NOTE

1. This is a simplified drawing and some components are not marked in detail.
2. The product shown in this datasheet is a standard model. For diagrams that contain customized or optional I/O, please contact the Winmate Sales Team for more information.
3. All specifications are subject to change without prior notice.