

W10FA3S-ELH2

10.1" NXP i.MX6 EL Series HMI Panel PC



KEY FEATURES

- 10.1" 1280 x 800 Resolution with P-Cap Multi-touch screen
- NXP i.MX6 Dual Core 1GHz
- Fanless cooling system and Ultra-low power consumption
- Front IP65 Water and Dust Proof
- 1 x USB , 1 x USB OTG , 1 x RS485 , 1 x RJ45 / LAN



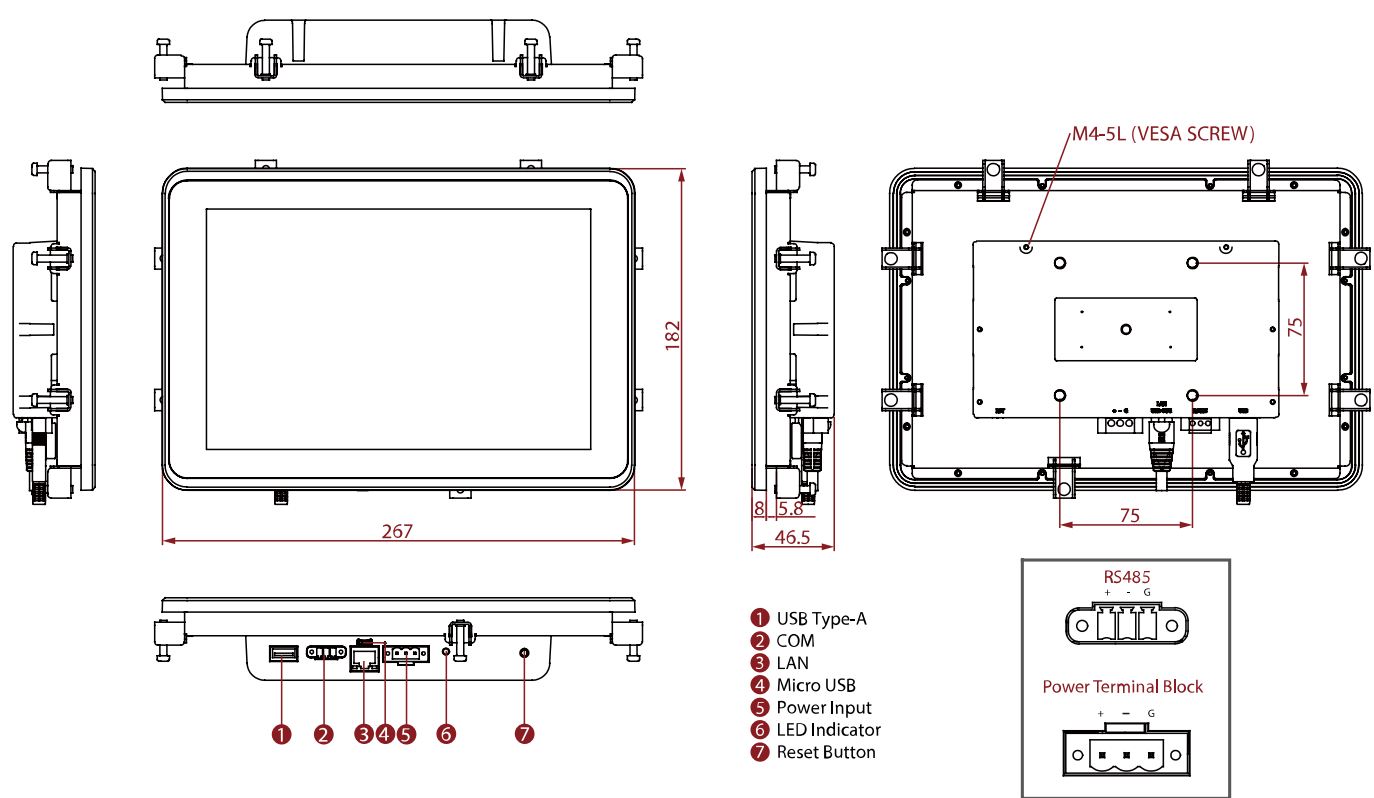
SPECIFICATIONS

Display			
Resolution	1280x800	Size	10.1 inches
Contrast Ratio	800:1	Panel Brightness	350.0 nits
View Angles	85,85,85,85	Active Area	216.96x135.6 mm
Touch / Glass	Projected Capacitive Multi Touch Screen		
System Specification			
Processor	NXP i.MX6 Dual Core, 1.0GHz	Memory	1GB 2GB (Optional)
Storage	eMMC: Onboard 8 GB	Operating System	Linux Ubuntu 18.04 (Optional) Android 6.0 (Optional) Debian 7.0 (Optional) Linux 4.1.15 QT 5.5 (Optional)
Mechanical			
Dimension	267 x 182 x 47 mm	Weight	1.2 kg
Mounting	Panel mount VESA Mount	Enclosure	Metal Housing
Cooling System	Fanless design	Cut out	244 x 159 mm
Environment			
Operating Humidity	10% to 90% RH, Non-Condensing	Operating Temperature	0°C to 50°C
Storage Temperature	-10°C to 60°C	IP rating	Front IP65
Certification			
Certification	CE, FCC		
IO Ports			
Power Input	1 x 12~24V DC, 3-Pin Terminal Block	USB Port	1 x USB2.0 (Type-A) 1 x USB OTG
Serial Port	1 x RS485, 3pin Terminal block	LAN	1 x LAN RJ45 Connector
Indicator	1 x LED Indicator for storage		
Control			
Button	1 x Reset Button		
Accessory			

Accessory	100~240V AC to DC Adapter Power Cord Terminal Block to 2.5Ø Female Adapter Cable Open Wire Cable with terminal block connector Mounting clips VESA screws
------------------	--

Power	
Power Rating	12V~24V with isolation, 3-Pin Terminal Block
Adapter	12V 50W

DIMENSIONS UNIT:MM



NOTE

1. This is a simplified drawing and some components are not marked in detail.
2. The product shown in this datasheet is a standard model. For diagrams that contain customized or optional I/O, please contact the Winmate Sales Team for more information.
3. All specifications are subject to change without prior notice.