

W07MG3S-PC01AC-POE

7" S Series HMI Panel PC with ARM A78 + A55 Processor



KEY FEATURES

- 7" 1024 x 600 Resolution with Projected Capacitive Multi-Touch (P-CAP)
- Built-in RGB LED Light Bar Indicator
- Support PoE function
- Optional 2MP Front Camera
- Optional HF RFID Reader
- Stylish design for room booking, access control, and room information applications
- Front IP65 Water and Dust Proof
- Fanless cooling system and ultralow power consumption



SPECIFICATIONS

Display

| | | | |
|-----------------------|---|-------------------------|-------------|
| Resolution | 1024x600 | Size | 7.0 inches |
| Contrast Ratio | 700:1 | Panel Brightness | 1000.0 nits |
| View Angles | 75,75,75,70 | Active Area | 153.6x90 mm |
| Touch / Glass | Projected Capacitive Multi Touch Screen | | |

System Specification

| | | | |
|------------------|-------------------------------------|-------------------------|---|
| WLAN | Support (Optional) | BT | Support (Optional) |
| RFID | HF RFID Reader 13.56 MHz (Optional) | Light Bar | Built-in RGB LED Status Light Bar |
| Processor | ARM 2 x A78 2.0GHz + 4 x A55 2.0GHz | Memory | 4GB LPDDR4 |
| Storage | Onboard 32 GB | Operating System | Android 13 Linux Yocto 5.10.104 with QT 5.15 (Optional) Linux Ubuntu 22.04 (Optional) |

Mechanical

| | | | |
|-----------------------|---------------------------|------------------|---------------|
| Dimension | 189.4 x 145.4 x 40 mm | Weight | 1.0 kg |
| Mounting | Panel Mount VESA Mount | Enclosure | Metal Housing |
| Cooling System | Fanless Design | Cut out | 175.5x131.5mm |

Environment

| | | | |
|----------------------------|---------------------------------------|------------------------------|---------------------------------------|
| Operating Humidity | 10% to 90% RH, Non-Condensing | Operating Temperature | 0°C to 50°C |
| Storage Temperature | -20°C to 60°C | Shock | MIL-STD-810H Method 516.8 Procedure I |
| Vibration | MIL-STD-810H Method 514.8 Procedure I | IP rating | Front IP65 |

Certification

| | |
|----------------------|---------|
| Certification | CE, FCC |
|----------------------|---------|

IO Ports

| | | | |
|---------------------|--|--------------------|-----------------------------------|
| USB Port | 2 x USB 2.0 Type A 1 x USB 2.0 Type C (OTG) | Serial Port | 1 x RS232/422/485 (Default RS232) |
| SD Card Slot | 1 x Micro SD card slot | Video | 1 x Micro HDMI Output (Optional) |
| Audio | 1 x Speaker | LAN | 1 x LAN 10/100/1000 Mbps |

Accessory

| | |
|------------------|--|
| Accessory | 100~240V AC to DC Adapter Power Cord Terminal Block to 2.5Ø Female Adapter Cable Open Wire Cable with terminal block connector VESA screws |
|------------------|--|

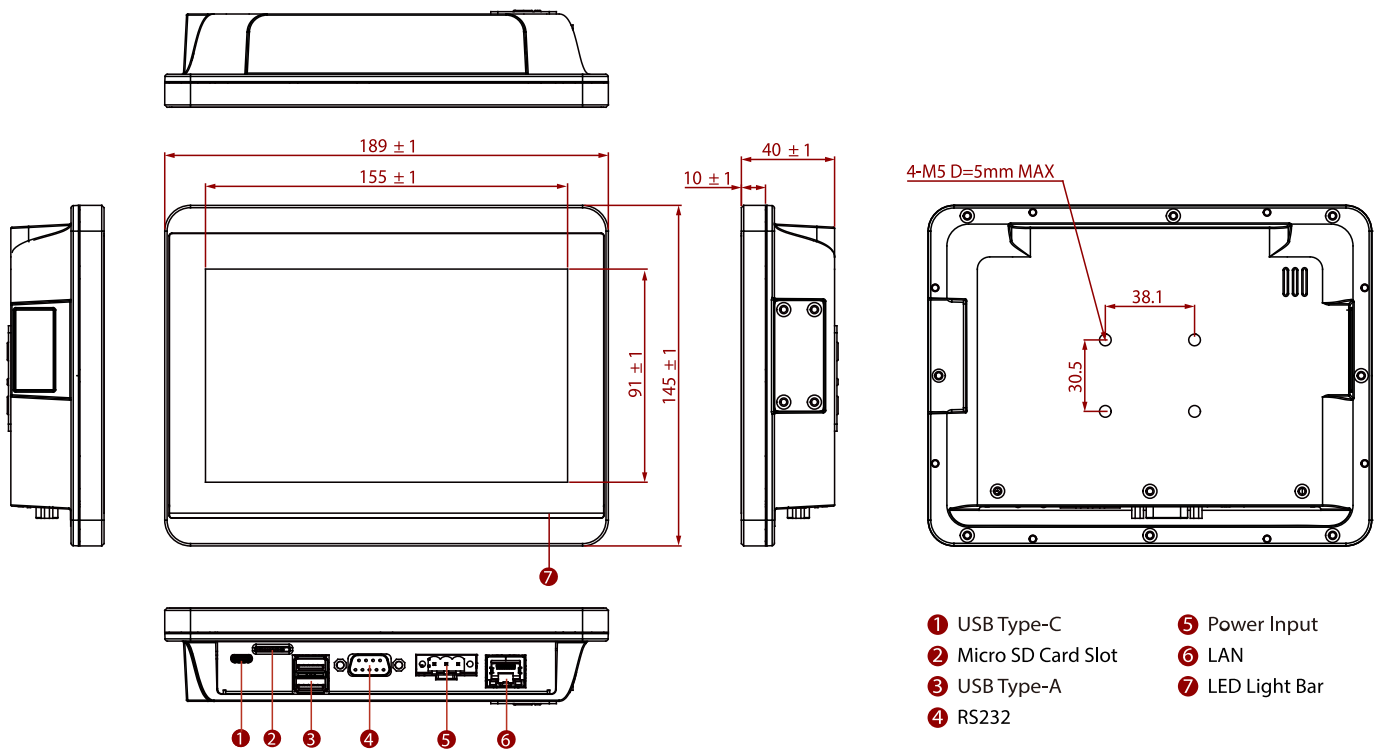
Power

| | | | |
|---------------------|---------------------------------------|----------------|---------|
| Power Rating | 12V DC with Terminal Block | Adapter | 12V 50W |
| POE | PoE (PD): follows IEEE 802.3at (25 W) | | |

Camera

| | |
|---------------------|-----------------------|
| Front Camera | 2MP Camera (Optional) |
|---------------------|-----------------------|

DIMENSIONS UNIT:MM



NOTE

- 1.This is a simplified drawing and some components are not marked in detail.
- 2.Please contact our sales representative if you need further product information.
- 3.All specifications are subject to change without prior notice.
- 4.The product shown in this datasheet is a standard model.For diagrams that contain customized or optional I/ O, please contact the Winmate Sales Team for more information.