



C1

2U Passive Air Cooler

PRODUCT SPECIFICATIONS

Specification Version: 07/28/2023

(Specifications are subject to change without notice)

C1| Socket LGA 7529

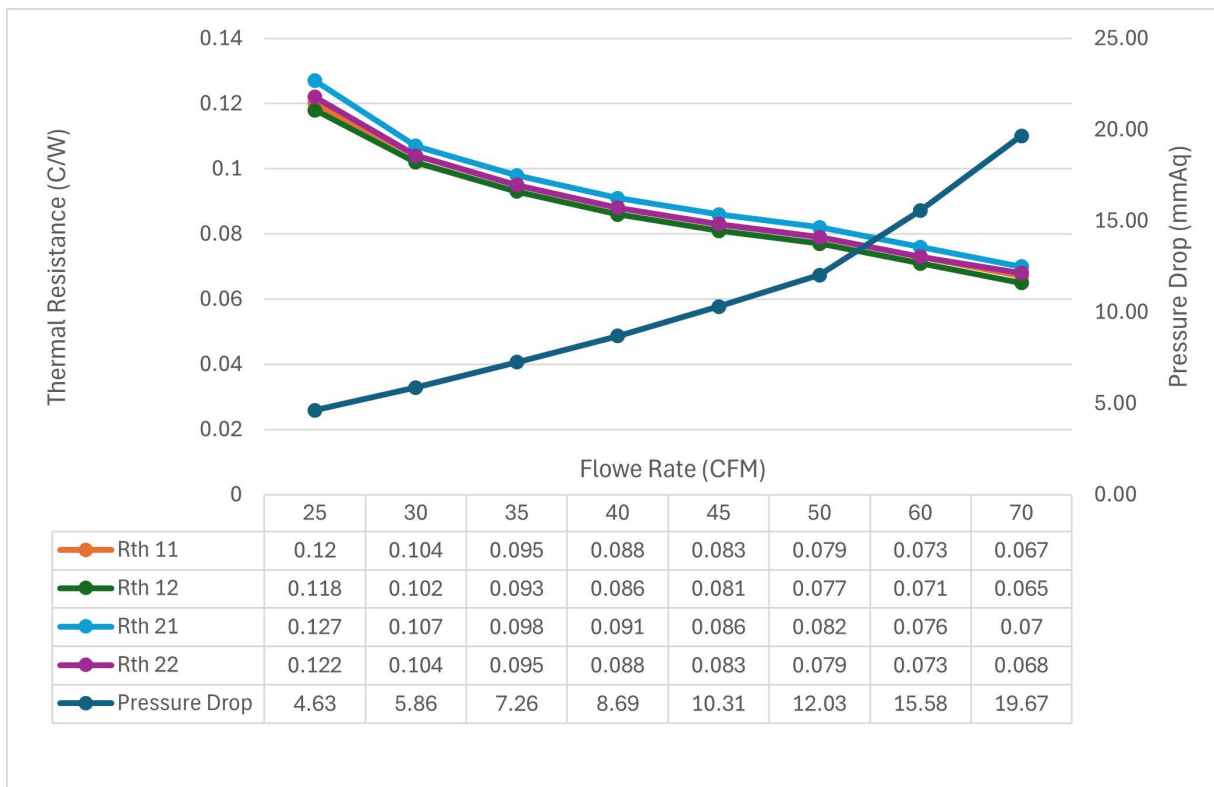
Model Number: C1

- Recommend for Intel® CPU as following
 - Intel® Granite Rapid AP (Socket LGA 7529)
- Passive Air Cooler for 2U Server and Up

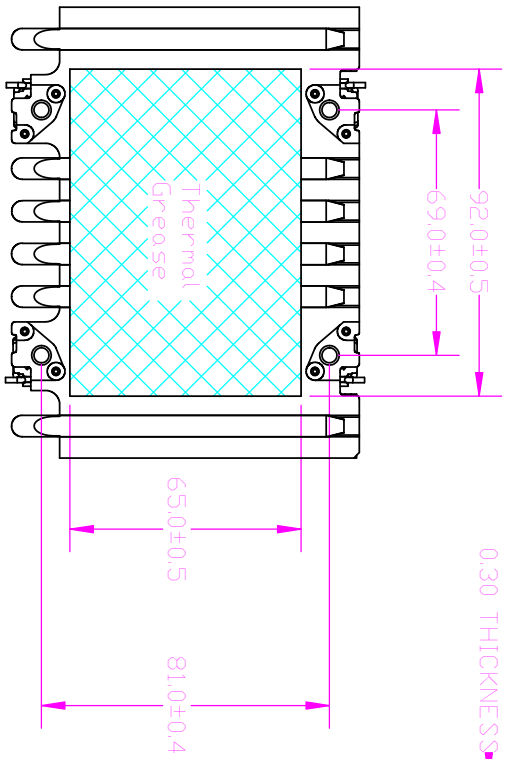
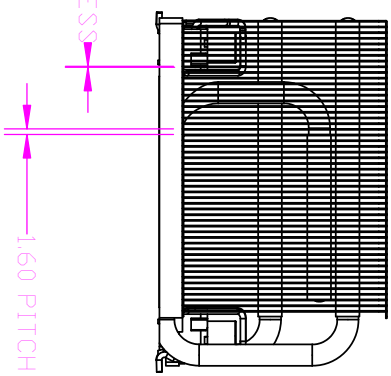
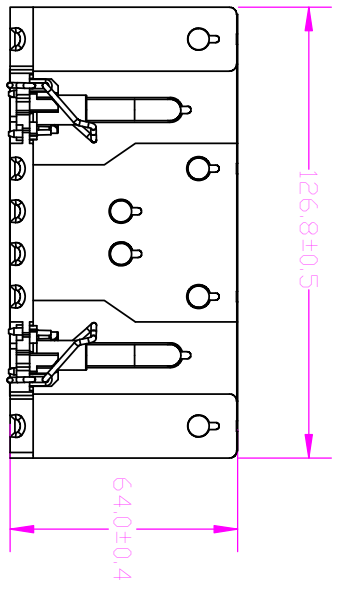
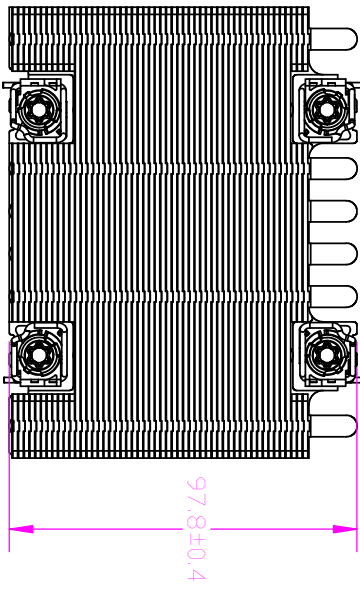
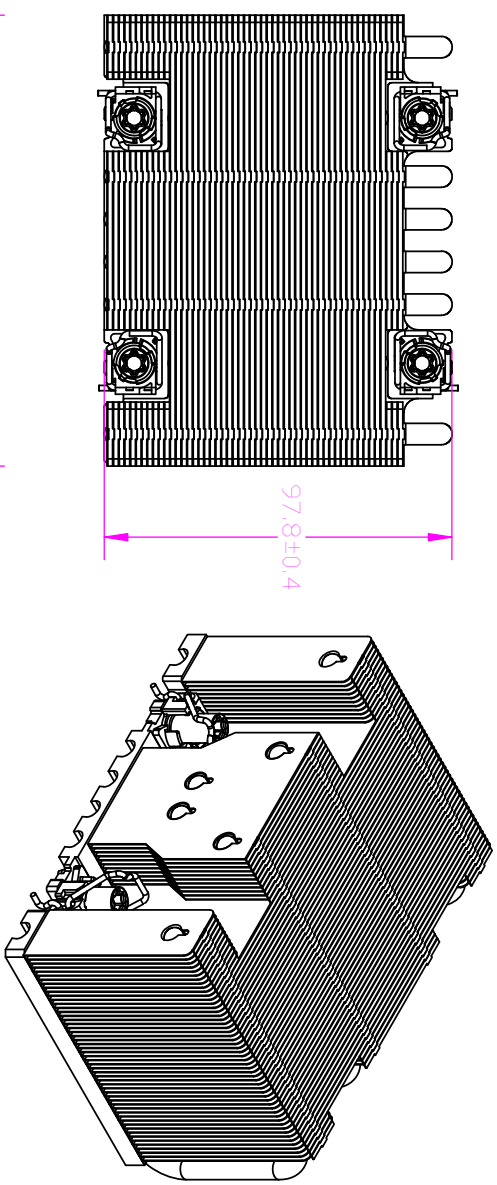
Overall Specification

Dimension	126.8 x 97.8 x 64.0 mm
Weight	650 g
Material	Aluminum Fin with heat pipe
Thermal Grease	Shin-Etsu X23-8079-2 Pre-Printed
TDP	450W@40°C ambient

Performance Chart: Passive Cooler C1 Thermal Resistance Thermal Resistance & Pressure Drop vs. Air Flow rate



REV.#	DESCRIPTION	CHECKER	DATE
0.0	INITIAL RELEASE	JUN	07/27/23



Thermal Grease

NAME	DATE
DRAWN BY JUN	8/11/2023
CHECKED BY JUN	8/11/2023
ENG. APPROVED	
MFG. APPROVED	



DYNATRON CORPORATION

TOP MOTOR

TITLE:
2U PASSIVE AIR COOLER C1
OVERALL DIMENSION DRAWING

CONFIDENTIAL DOCUMENT
THIS DRAWING CONTAINS INFORMATION PROPRIETARY TO DYNATRON CORPORATION AND DYNAEON INDUSTRIAL CO., LTD. ANY REPRODUCTION, DISCLOSURE, OR USE OF THIS DRAWING IS EXPRESSLY PROHIBITED EXCEPT AS DYNATRON CORPORATION AND DYNAEON INDUSTRIAL CO., LTD. MAY OTHERWISE AGREE TO IN WRITING.

VIEW	UNITS	DWG. No:	REV.
MM	MM	DYN-BD-C1	0.0