

# R15IB3S-MLA3HB

## 15" Intel® Celeron® N2930 G-WIN Defence Panel PC



### KEY FEATURES

- Built in ambient Light sensor
- High Quality 15" Panel, 1024x768 resolution, 1000 nits
- 5 Wire Resistive Touchscreen(Optional) / Anti-Reflection Protection Glass
- 802.11 a/b/g/n Wireless LAN with Antenna (Optional)
- Aluminum Housing with Anti-Corrosion Treatments
- Anti-Shock and Vibration Standard according to MIL-STD-810F/G & IEC60068-2-27
- Fanless Design
- Full IP65 Dust/water resistant Protection (Except I/O parts)
- Defence grade power connector
- Ultra Low Power and High Performance Intel® Bay Trail N2930 1.83 GHz
- Wide Range 9 to 36 V DC Input (Optional)



### SPECIFICATIONS

Display			
<b>Resolution</b>	1024x768	<b>Size</b>	15.0 inches
<b>Contrast Ratio</b>	2500:1	<b>Panel Brightness</b>	1000.0 nits
<b>View Angles</b>	88,88,88,88	<b>Active Area</b>	304.1x228.1 mm
<b>Touch / Glass</b>	AR Protection Glass 5 Wires Resistive Touch (Optional) 5 Wire Resistive with EMI Mesh Filter (Optional) EMI Glass (Optional)		
System Specification			
<b>Processor</b>	Intel Celeron N2930 1.83GHz (up to 2.16GHz)	<b>Memory</b>	1 x SO-DIMM, DDR3L 1600 MHz, 4GB 8GB (Optional)
<b>Storage</b>	1 x mSATA SSD 128GB 256GB (Optional) 512GB (Optional)	<b>Ethernet controller</b>	2 x Intel® Ethernet Controller
<b>Operating System</b>	Windows 10 IoT Enterprise (64 bit) (Optional) Linux Ubuntu 20.04 (Optional)	<b>WLAN</b>	Support (Optional)
<b>BT</b>	Support (Optional)		
Environment			
<b>Operating Humidity</b>	10% to 95% RH	<b>Operating Temperature</b>	-20°C~60°C
<b>Storage Temperature</b>	-30°C~70°C	<b>Shock</b>	Operating:30g for 18ms
<b>Vibration</b>	Operating: 1.60/1.96/2.18 g rms for XYZ / 5-500Hz		
Compliance			
<b>MIL-STD 461E/F/G</b>	RE101 / RE102 CE101 / CE102 CS118 with EMI Glass / Touch(Optional) RS101 / RS 103 CS101 / CS 106 / CS 109 / CS 114 / CS 115 / CS	<b>MIL-STD 810G/H</b>	Vibration Method 514.6 Humidity Method 507.5 Transit Drop Method516.6

## Certification

**Certification** CE, FCC

## IO Ports

**USB Port** 1 x USB2.0  
1 x USB3.0

**Serial Port** 1 x RS-232(Default)/422/485  
1 x RS-232 (Optional)

**Video** 1 x HDMI (Optional)

**LAN** 2 x RJ45

## Mechanical

**Dimension** 398 x 308 x 58 mm

**Mounting** VESA Mount

**Enclosure** Metal Housing with Aluminum Bezel

**Cooling System** Fanless Design

## Accessory

**Accessory** User Manual  
Driver CD and User Manual  
Touch Driver CD  
Open Wire Cable  
100~240V AC to DC Adapter  
Power Cord

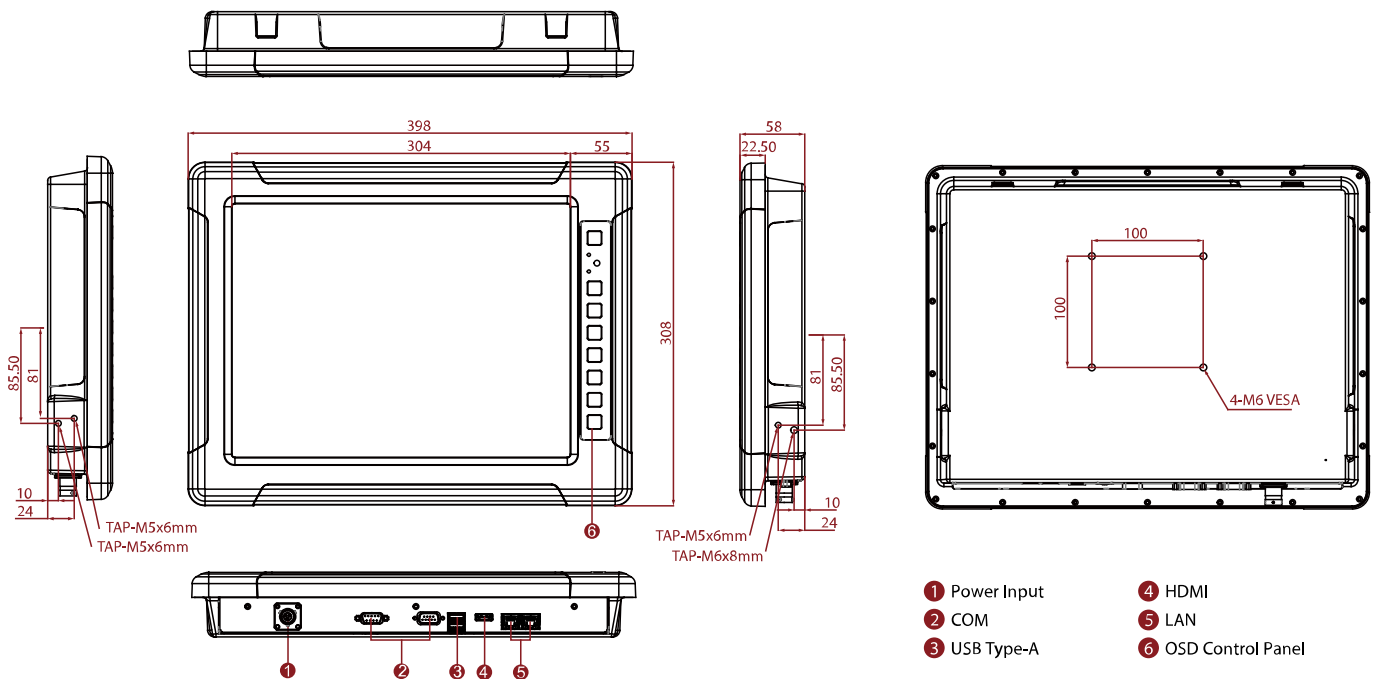
## Power

**Power Rating** 12V DC (MIL-DTL-38999/1 connector)  
9V to 36V wide range (Optional)

## Control

**Button** 8 key:  
Power  
Reset  
Lock/Unlock  
Auto Dimming/Manually  
Day/Night Mode  
Brightness Up  
Brightness Down  
LED Adjustment

## DIMENSIONS UNIT:MM



- ① Power Input
- ② COM
- ③ USB Type-A
- ④ HDMI
- ⑤ LAN
- ⑥ OSD Control Panel

**NOTE**

- 1. R15IB3S-MLA3HB