



# S8-4710

Blade Server Passive Cooler

**PRODUCT SPECIFICATIONS**

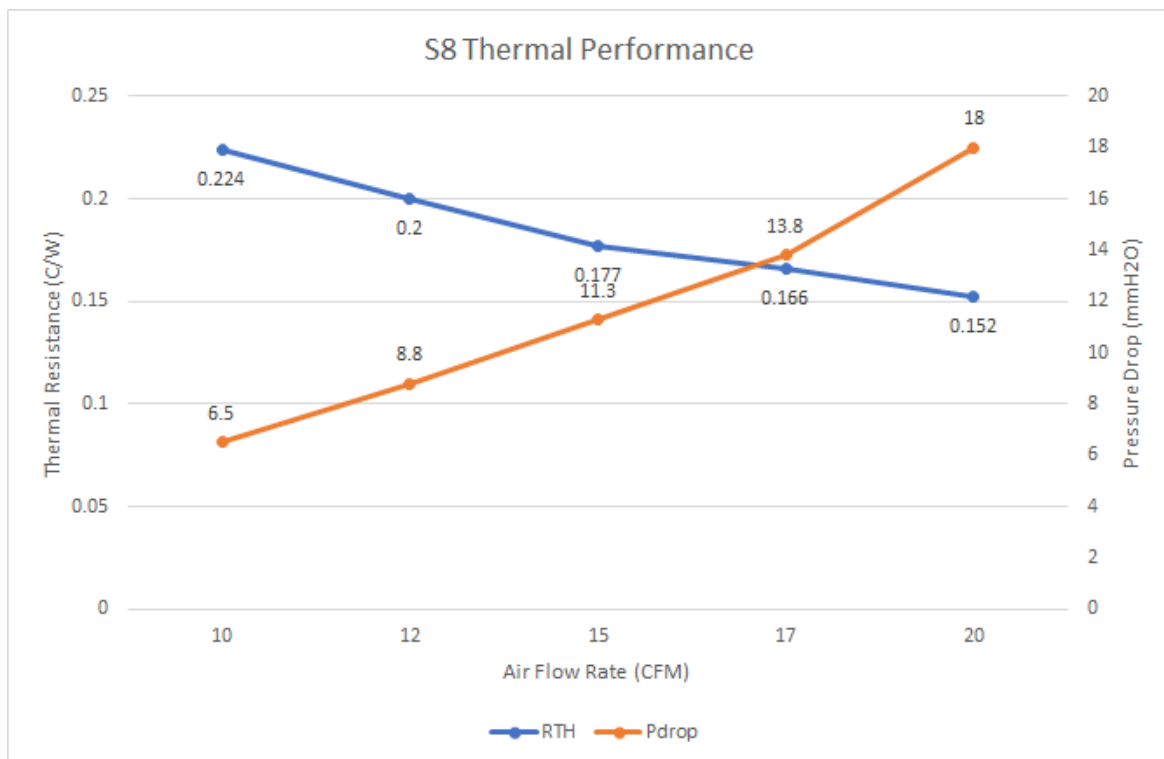
## Model Number: S8-4710

- Recommend for Intel® CPU as following
  - Intel® Granite Rapids-SP Processor, Socket FCLGA 4710
- Passive Heat Sink for Blade Server or up

## Overall Specification

Dimension	118 x 78 x 25.5 mm
Weight	410 g
Material	Copper Vapor Chamber and Fin Stack
Mounting sets	Intel Standard Anti-Tilt Heatsink Captive Mounting Sets
Package Carrier	PHM Package Carrier Included
Thermal Grease	Pre-Printed with SHIN-ETSU X23-8079-2
TDP	Support 205 Watts@40°C ambient CPU Power Heat Dissipation

## Performance Chart: S8-4710 Thermal Resistance Thermal Performance vs. Airflow



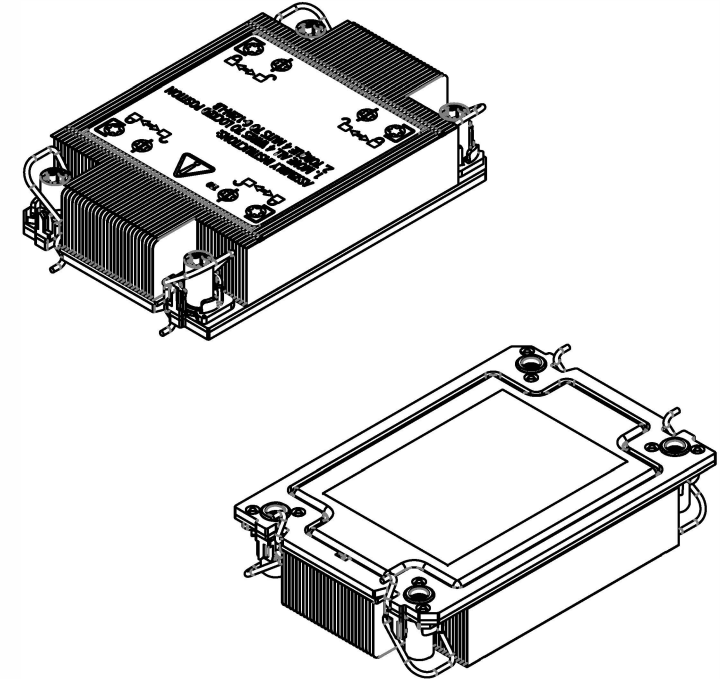
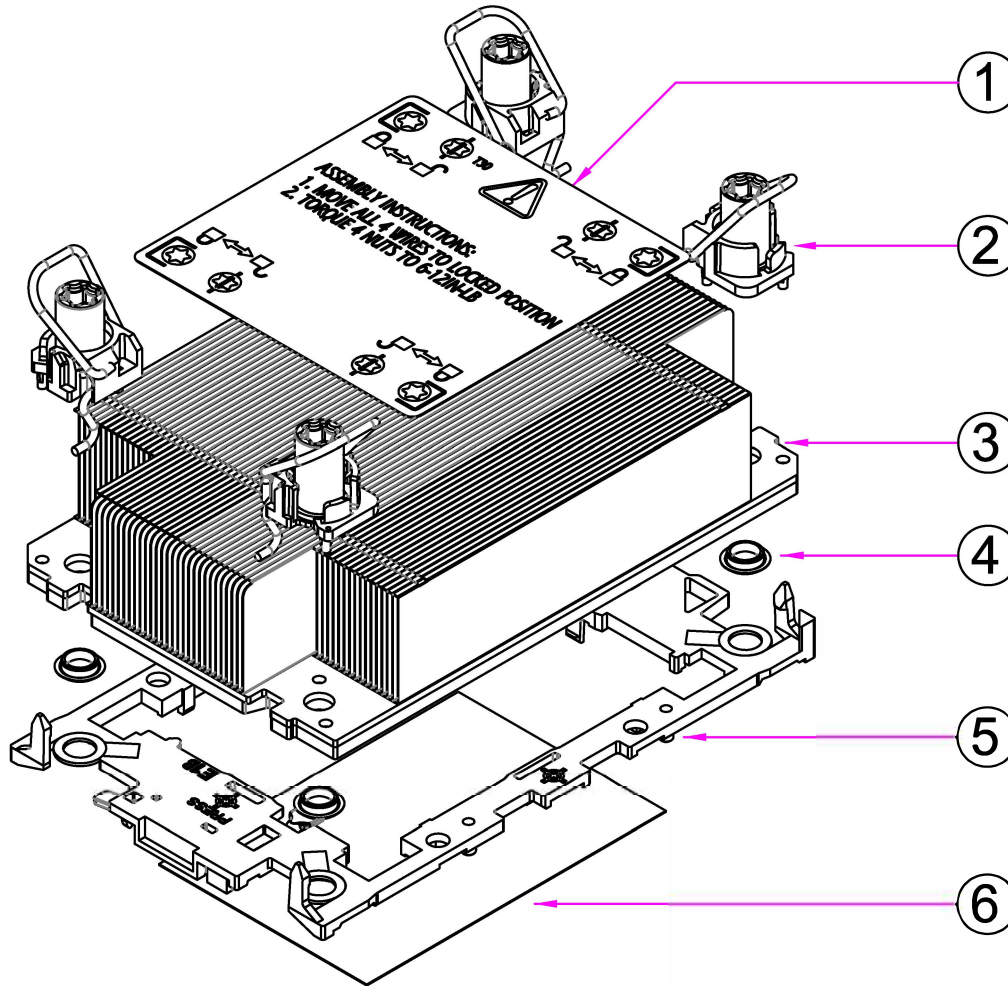
**CONFIDENTIAL DOCUMENT**

THIS DRAWING CONTAINS INFORMATION PROPRIETARY TO DYNATRON CORPORATION AND DYNAEON INDUSTRIAL CO., LTD. ANY REPRODUCTION, DISCLOSURE, OR USE OF THIS DRAWING IS EXPRESSLY PROHIBITED EXCEPT AS DYNATRON CORPORATION AND DYNAEON INDUSTRIAL CO., LTD. MAY OTHERWISE AGREE TO IN WRITING.

REV#	DESCRIPTION	CHECKER	DATE
0.0	INITIAL RELEASE	LANG	03/26/2021

**ASSEMBLY PARTS**

**WHOLE SET OF HEATSINK**



**NOTES:**

1. THE FIGURE IS FOR REFERENCE ONLY, AND NOT FOR SCALE
2. OVERALL DIMENSION : 118 x 78 x 27 mm
3. OVERALL WEIGHT : 520 g

ITEM#	DESCRIPTION	MATERIAL	QTY.
6	THERMAL GREASE, PRE-PRINTED	SHIN-ETSU 7762	1
5	INTEL PACKAGE CARRIER	PLASTIC	1
4	SPACER RING	PLASTIC	4
3	HEATSINK, with STACKED FINS	COPPER FIN STACK COPPER VAPOR CHAMBER BASE STEEL RETENTION	1
2	ANTI-TILT ROTATING WIRE ASSEMBLY SET	PLASTIC NUT AND CAPTIVATION STEEL ROTATING WIRE	4
1	MOUNTING INSTRUCTION LABEL	PLASTIC	1

DATE		NAME		<b>DYNATRON CORPORATION</b>	
03/26/2021		E ngr			
CHECKED		LANG		<b>TITLE:</b> 1U Passive Cooler Model S8 BOM & Exploded Assembly Drawing	
03/26/2021		LANG			
ENG. APPR.					
MFG. APPR.					
G.A.				DWG. No:	
COMMENTS:				DYN-EP-S8-4710	
				REV	
				0.0	

4

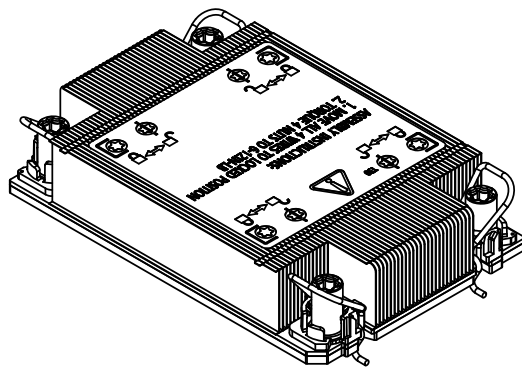
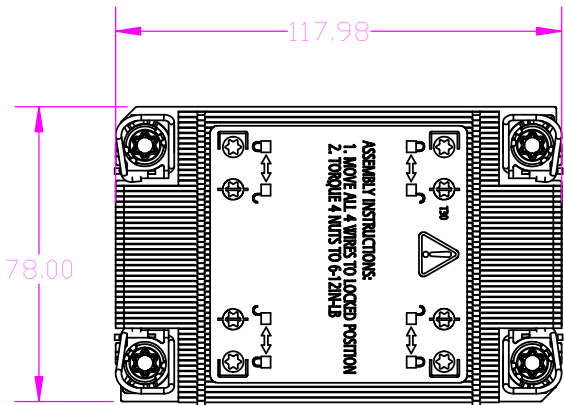
3

2

1

REV#	DESCRIPTION	CHECKER	DATE
0.0	INITIAL RELEASE	JUN	09/26/23

F



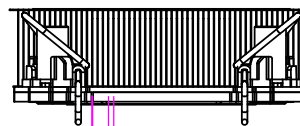
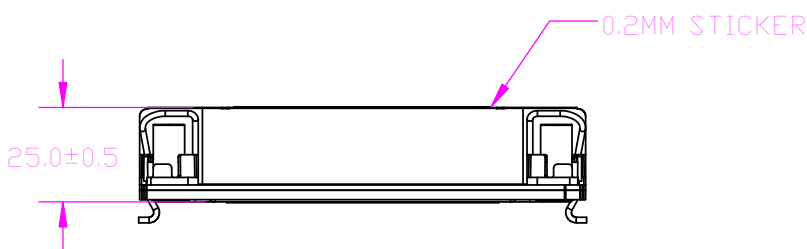
F

E

E

D

D

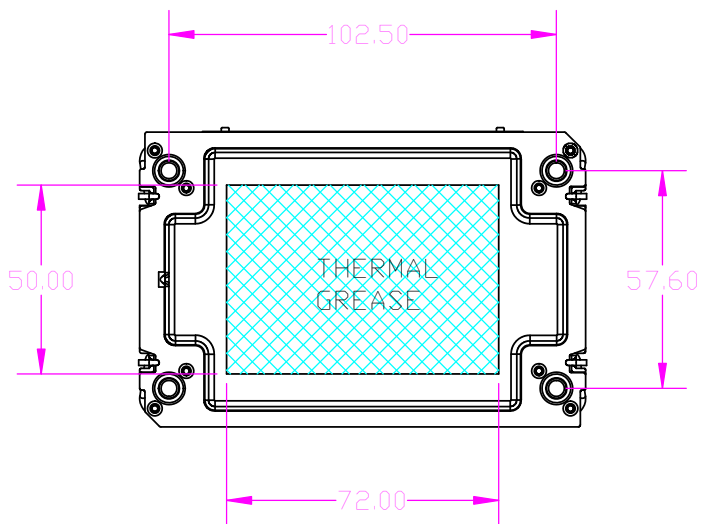


1.40 PITCH

0.20 THICKNESS

C

C



B

B

	NAME	DATE
DRAWN BY	JUN	9/26/2023
CHECKED BY	JUN	9/26/2023
ENG. APPROVED		
MFG. APPROVED		



DYNATRON CORPORATION

TOP MOTOR

TITLE:

1U AIR COOLER S8-4710  
OVERALL DIMENSION DRAWING

**CONFIDENTIAL DOCUMENT**

THIS DRAWING CONTAINS INFORMATION PROPRIETARY TO DYNATRON CORPORATION AND DYNAEON INDUSTRIAL CO., LTD. ANY REPRODUCTION, DISCLOSURE, OR USE OF THIS DRAWING IS EXPRESSLY PROHIBITED EXCEPT AS DYNATRON CORPORATION AND DYNAEON INDUSTRIAL CO., LTD. MAY OTHERWISE AGREE TO IN WRITING.

VIEW	
UNITS	MM

DWG. No:  
DYN-BD-S8-4710

REV.  
0.0

A

A

4

3

2

1