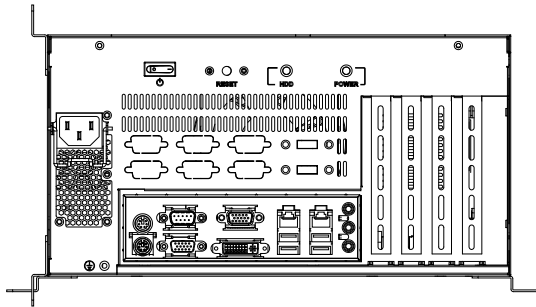


ECA-200

Industrial Chassis for microATX SBC

Quick Installation Guide

Version 1.00



PACKING LIST

- 1 x ECA-200 chassis
- 1 x SATA cable
- 1 x Power cord
- 2 x Wall mount brackets
- 1 x Holder bracket
- 1 x Slide track
- 1 x Power housing

SAFETY INSTRUCTIONS

Warning! Read this installation guide before connecting the system to the power source.

Warning! To prevent the device from overheating, do not operate it in an area that exceeds the maximum operating temperature described in the user manual came with the SBC.

Warning! Ultimate disposal of this product should be handled according to all national laws and regulations.

SPECIFICATIONS

Construction	Heavy duty metal
SBC Form Factor	microATX
PSU	1U flex power supply
Drive Bays	1 x 3.5"/2.5" HDD/SSD Expansion: 1 x 3.5"/2.5" HDD/SSD by the optional ECA-HDD-KIT-R10
Cooling Fans	1
I/O Openings	2 x USB 6 x COM
Expansion Slots	4
Indicators	1 x Power LED, 1 x HDD LED
Buttons	1 x Reset button, 1 x Power switch
Installation	Desktop, wall mount
Operating Temperature	-10°C ~ 50°C
Operation Humidity	5% ~ 95%
Color	Black
Dimensions (DxWxH)	310 mm x 310 mm x 162 mm
Operating Vibration	MIL-STD-810F 514.5C-1
Operating Shock	Half-sine wave 3G, 11ms, 100 shocks per axis
Weight (Net/Gross)	TBD

COMPATIBLE SBC

Model No.	SBC Type	PCI	PCIe			
			x1	x4	x8	x16
IMB-Q870-i2-R10	microATX	1	1	1	0	1
IMB-H810-i2-R11	microATX	2	1	0	0	1

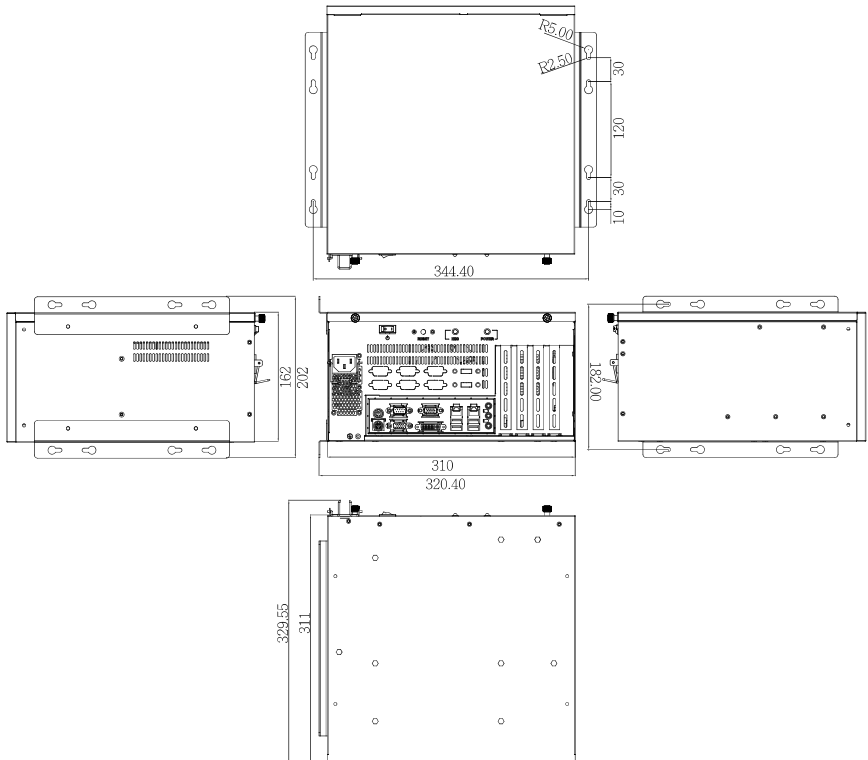
IMB-Q770-R10	microATX	1	1	1	0	1
IMB-H810-i2-R10	microATX	2	1	0	0	1
IMB-H610A-R10	microATX	0	3	0	0	1
IMB-H110-R10	microATX	2	1	0	0	1

POWER SUPPLY OPTIONS

Type	Model No.	Watt
ATX	ACE-A615A-RS-R11	150W
	ACE-A618B-RS-R10	180W
	ACE-A622A-RS-R11	220W
	ACE-A627A-RS-R11	270W
	ACE-A630B-RS-R10	300W

DIMENSION DRAWING

The dimensions of ECA-200 are shown below (Unit: mm).



INSTALLATION STEPS

To install the ECA-200 chassis, follow the steps below:

Step 1: Remove chassis cover.

Step 2: Install motherboard.

Step 3: Install power supply unit.

Step 4: Install system fan.

Step 5: Install hard disk drive.

Step 6: Reinstall top cover.

Step 7: Install wall mount brackets.

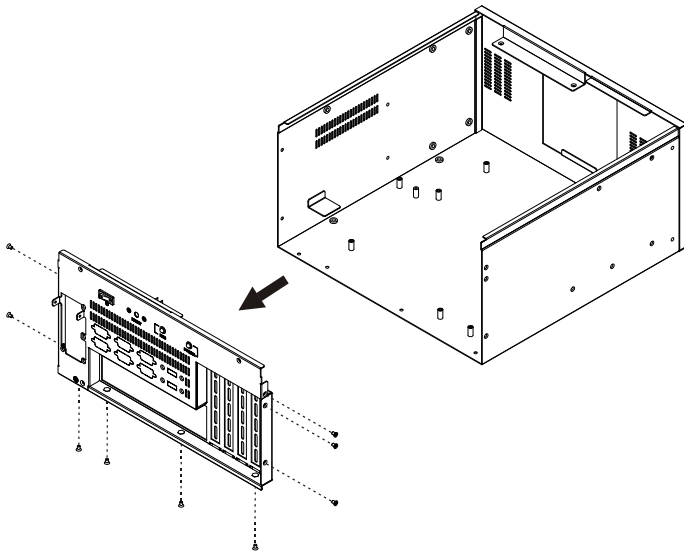
Step 8: Install front handles.

The installation steps outlined above are described in detail below. Please refer to the relevant section.

REMOVE CHASSIS COVER

Step 1: Remove the top cover. Loosen the two thumbscrews on the top panel, slide the cover outward, and then lift the cover up gently.

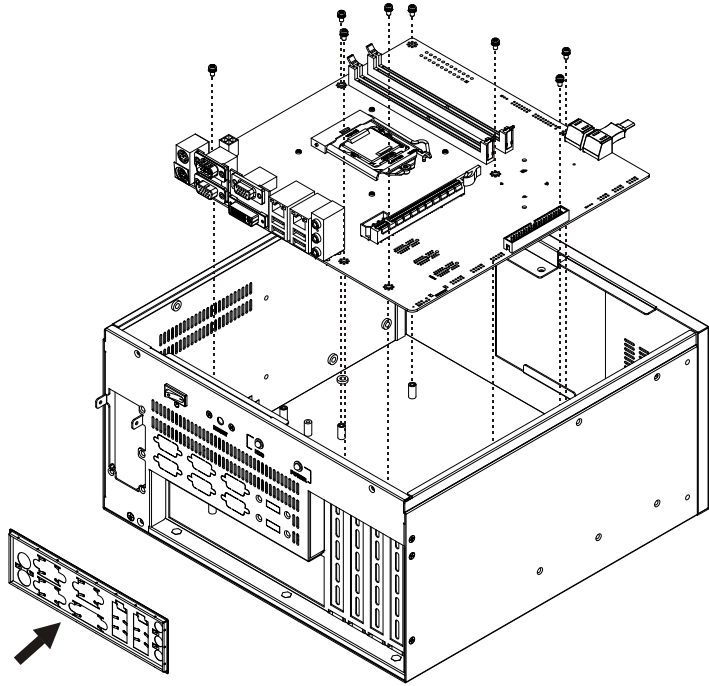
Step 2: Remove the front panel. Remove nine screws from the front panel, two on left panel, three on right panel and four on bottom panel.



MOTHERBOARD INSTALLATION

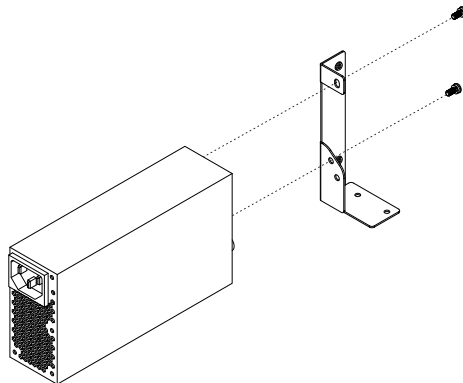
Step 1: Install the motherboard. Align the screw holes on the motherboard with the standoffs on the bottom panel. Secure the motherboard with the screws as figure shown below.

Step 2: Install the I.O shielding. Push the I.O shielding in the chassis.

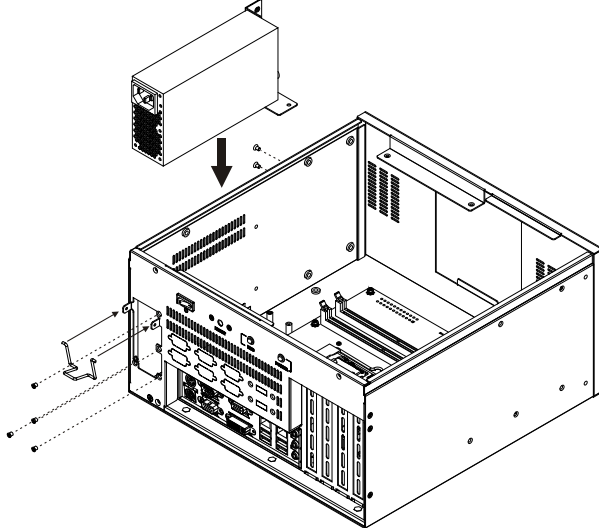


POWER SUPPLY UNIT INSTALLATION

Step 1: Install the power supply bracket to the power supply. Secure the power supply bracket to the power supply with the screws as figure shown below.



Step 2: Install the power supply to the chassis. Secure the power supply to the chassis with the screws as figure shown below.

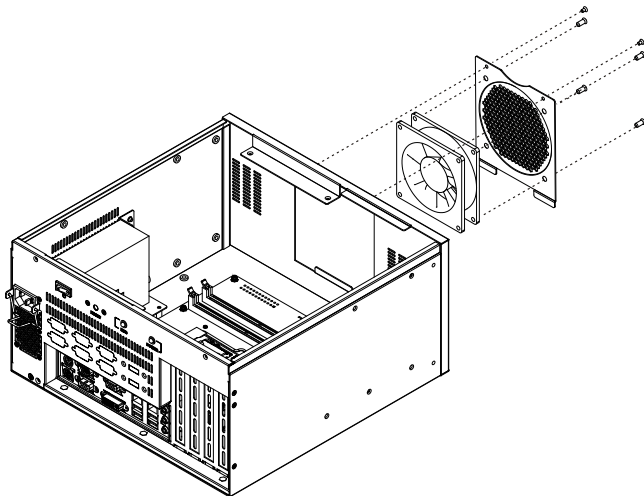


SYSTEM FAN INSTALLATION

Step 1: Install the system fan. Place the system fan inside the chassis and align the retention screws holes on the system fan with the retention screw holes on the chassis. Install the fan to the chassis with the screws as figure shown below.

NOTE:

To correctly connect the system fan cable from the system fan to the motherboard, please refer to the user manual that came with the motherboard.



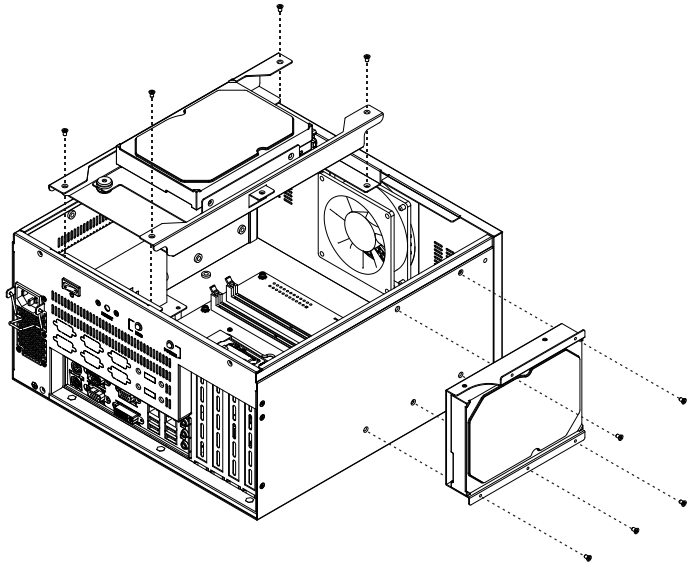
HARD DISK DRIVE INSTALLATION

Step 1: Attach the HDD to the HDD bracket. To do this, slide the HDD to the HDD bracket and secure the HDD to the HDD bracket with four retention screws.

Step 2: Install the HDD bracket to the chassis. Install the bracket with HDD to the chassis by aligning the bracket retention screw holes in the top of the HDD bracket with the retention screw holes on the chassis. Secure the HDD bracket to the chassis with the screws as figure shown below.

NOTE:

The SATA cables from the installed HDD must be connected to the SATA connector and SATA power connector on the motherboard before installing the top panel to the chassis. To correctly connect these cables, please refer to the user manual that came with the motherboard.



FRONT PANEL CABLE CONNECTION

The following buttons and LEDs are on the front panel of the ECA-200 chassis.

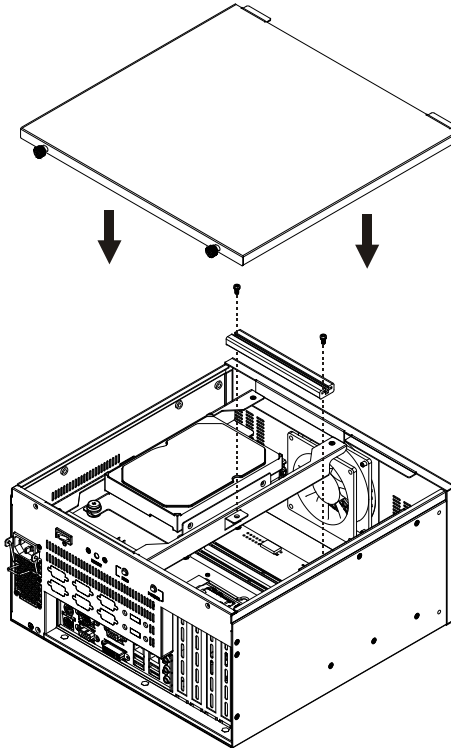
- 1 x Power switch
- 1 x Reset button
- 1 x HDD LED
- 1 x Power LED

These components are all connected to the motherboard with cables. To correctly connect these cables, please refer to the user manual that came with the motherboard.

REINSTALL TOP COVER

Step 1: Install the bracket. Install the bracket to chassis and tighten the two screws as figure shown below.

Step 2: Reinstall top cover. Reinstall the top panel to chassis and tighten the two thumbscrews on the top panel.

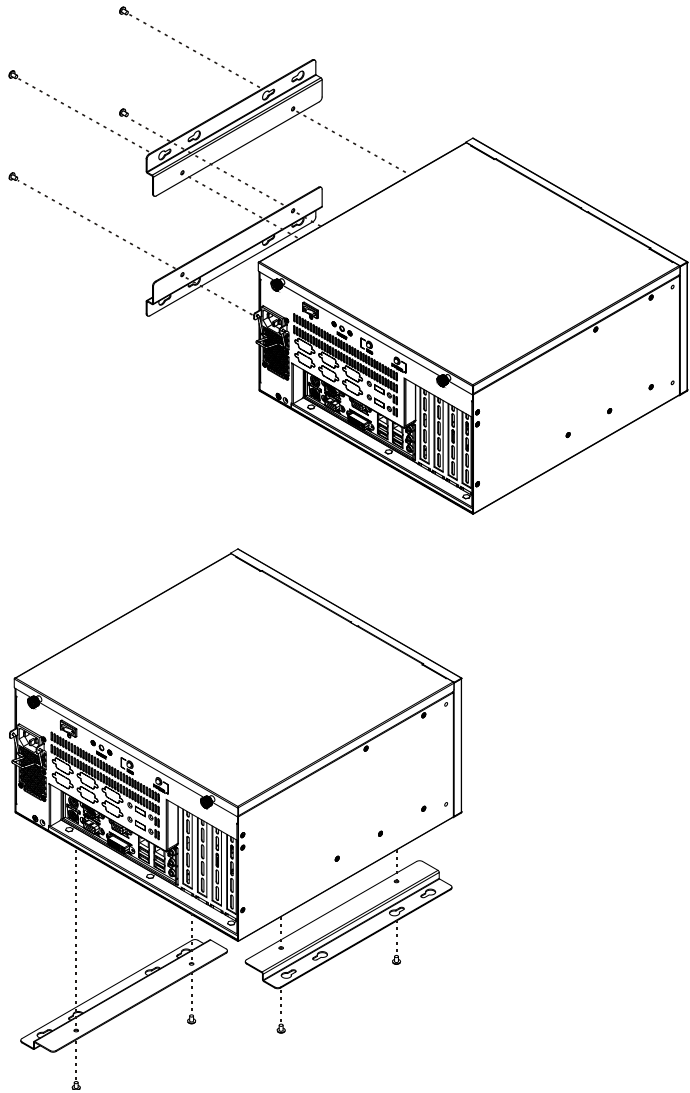


WALL MOUNT BRACKETS INSTALLATION

Step 1: Install the wall mount brackets. Align the four retention screw holes in the wall-mount brackets with the retention screw holes on the side of the chassis.

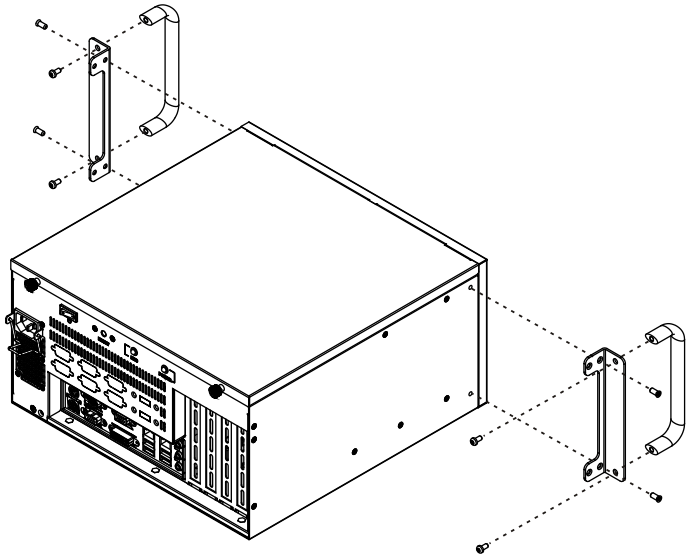
NOTE:

There are two methods of mounting the ECA-200. The mounting methods are shown below.



FRONT HANDLE INSTALLATION

Step 1: Install the front handle. Align the retention screw holes in the handles with the retention screw holes on the side of the chassis. Install each handle to the chassis with four retention screws.



IEI SUPPORT URL

https://new.ieiworld.com/en/online_support_form/index.php

COMPLIANCE



This equipment has been tested and found to comply with specifications for CE marking. If the user modifies and/or installs other devices in the equipment, the CE conformity declaration may no longer apply.



This equipment complies with Part 15 of the FCC Rules. Operation is subject to the following two conditions:

- This device may not cause harmful interference, and
- This device must accept any interference received, including interference that may cause undesired operation.

This equipment has been tested and found to comply with the limits for a Class A digital device, pursuant to part 15 of the FCC Rules. These limits are designed to provide reasonable protection against harmful interference when the equipment is operated in a commercial environment. This equipment generates, uses, and can radiate radio frequency energy and, if not installed and used in accordance with the instruction manual, may cause harmful interference to radio communications. Operation of this equipment in a residential area is likely to cause harmful interference in which case the user will be required to correct the interference at his own expense.



According to the requirement of the WEEE legislation the following user information is provided to customers for all branded IEI Electronics products subject to the WEEE directive.

This symbol on the product or on its packaging indicates that this product must not be disposed of with your other household waste. Instead, it is your responsibility to dispose of your waste equipment by handing it over to a designated collection point for the recycling of waste electrical and electronic equipment. The separate collection and recycling of your waste equipment at the time of disposal will help to conserve natural resources and ensure that it is recycled in a manner that protects human health and the environment. For more information about where you can drop off your waste equipment for recycling, please contact your local city office, your household waste disposal service or the shop where you purchased the product.

Headquarters

威強電工業電腦股份有限公司

IEI Integration Corp.

22161 新北市汐止區中興路 29 號

No. 29, Zhongxing Rd., Xizhi Dist.,

New Taipei City 22161, Taiwan

TEL: +886-2-86916798/+886-2-26902098

FAX: +886-2-66160028

sales@ieiworld.com

www.ieiworld.com

America

IEI Technology USA Corp.

138 University Parkway, Pomona,

CA 91768, USA

Tel:+1-909-595-2819

Fax:+1-909-595-2816

sales@usa.ieiworld.com

usa.ieiworld.com

China

威強電工業電腦 IEI Integration (Shanghai) Corp.

上海市闵行区莘庄工业区申富路 515 号

No. 515, Shen Fu Rd., Xin Zhuang Industrial

Develop Zone, Shanghai, 201108, China

Tel:+86-21-3116-7799

Fax:+86-21-3462-7797

sales@ieiworld.com.cn

www.ieiworld.com.cn