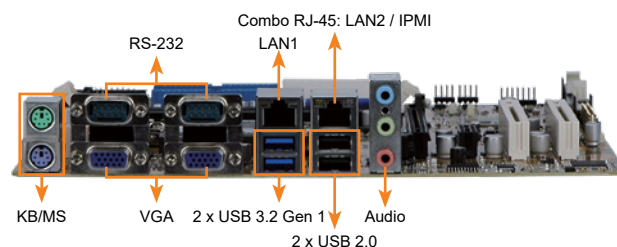
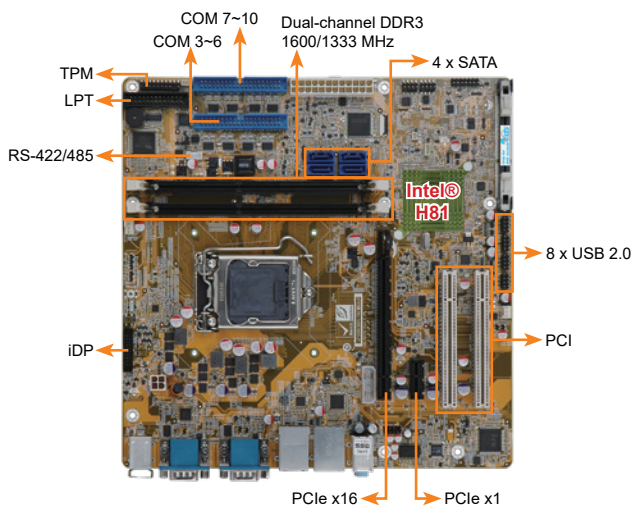


# IMB-H810-i2-R11

microATX motherboard supports 22nm LGA1150 Intel® Core™ i7/i5/i3, Pentium®, Celeron® CPU per Intel® H81, DDR3, VGA, dual GbE, LPT, COM, SATA 6Gb/s



## Specifications

- ◆ CPU  
LGA1150 socket supports Intel® 4th generation Core™ i7/i5/i3, Pentium® or Celeron® processor
- ◆ Chipset  
Intel® H81
- ◆ Memory  
Two 240-pin 1600/1333 MHz dual-channel DDR3 & DDR3L SDRAM unbuffered DIMMs support up to 16 GB
- ◆ BIOS  
UEFI BIOS
- ◆ Ethernet  
LAN1: Intel® I217LM with Intel® AMT9.0 support  
LAN2: Intel® I210-AT PCIe controller with NCSI support
- ◆ Graphics Engine  
Intel® HD Graphics Gen 7.5 supports DX11.1 and OpenCL 1.2, OpenGL 4.3  
Full MPEG2, VC1, AVC Decode
- ◆ Display Output  
Dual independent display  
2 x VGA (up to 1920x1200@60Hz)  
1 x iDP interface for HDMI, LVDS, VGA, DVI, DP (up to 3840x2160@60Hz)
- ◆ Audio  
Realtek ALC888S HD Audio codec supports 7.1-channel  
3 x Audio jacks (line-out, line-in, mic-in) on rear IO  
1 x Front audio (2x5 pin)
- ◆ TPM  
1 x TPM (2x10 pin)
- ◆ SMBus  
1 x SMBus (1x4 pin)
- ◆ I<sup>2</sup>C  
1 x I<sup>2</sup>C (1x4 pin)
- ◆ LAN LED: 2 x LAN LED (1x2 pin)
- ◆ External I/O Interface
 

1 x KB/MS	2 x USB 2.0
2 x RS-232	2 x USB 3.2 Gen 1 (5Gb/s)
- ◆ Internal I/O Interface
 

1 x LPT (2x13 pin, P=2.54)	2 x SATA 6Gb/s
1 x RS-422/485 (1x4 pin, P=2.0)	8 x RS-232 (2x20 pin, P=2.54)
2 x SATA 3Gb/s	8 x USB 2.0 (2x4 pin, P=2.54)
- ◆ Front Panel  
1 x Front panel (2x7 pin, power LED, HDD LED, speaker, power button, reset button)
- ◆ Expansion  
1 x PCIe x16 slot (Gen 3)  
1 x PCIe x1 slot  
2 x PCI slot
- ◆ Watchdog Timer  
Software programmable, supports 1~255 sec system reset
- ◆ Fan Connector  
1 x CPU smart fan (1x4 pin)  
1 x System smart fan (1x3 pin)
- ◆ Power Supply  
ATX power supply
- ◆ Power Consumption  
3.3V@0.64A, 5V@4.20A, 12V@0.14A, Vcore\_12V@3.88A, 5VSB@0.20A  
(Intel® Core™ i7-4770K 3.90 GHz CPU with 8 GB (two 4 GB) 1333 MHz DDR3 memory)
- ◆ Operating Temperature: -20°C ~ 60°C
- ◆ Storage Temperature: -30°C ~ 70°C
- ◆ Operating Humidity: 5% ~ 95%, non-condensing
- ◆ Dimensions: 244mm x 244mm
- ◆ Weight: GW: 1200g / NW: 680g
- ◆ CE/FCC compliant

## Features

- LGA1150 4th generation Intel® Core™ i7/i5/i3, Pentium® or Celeron® processor supported
- Dual-channel DDR3 1333/1600 MHz support up to 16 GB
- Intel® HD Graphics technology integrates high-performance graphics and media processing
- Supports legacy PCI 32-bit 33/66 MHz
- Ten COM ports, USB 3.2 Gen 1 (5Gb/s) and SATA supported
- TPM V1.2 hardware security function supported by TPM module
- IEI jumper-less function

## Packing List

1 x IMB-H810-i2 single board computer	2 x SATA cable
1 x I/O shielding	1 x QIG

## Ordering Information

Part No.	Description
IMB-H810-i2-R11	microATX motherboard supports 22nm LGA1150 Intel® Core™ i7/i5/i3/Pentium® and Celeron® CPU per Intel® H81, DDR3, VGA, Dual Intel® PCIe GbE, USB 2.0, PCI, COM, SATA 6Gb/s, LPT, HD Audio, iRIS-2400 and RoHS
IMB-H810-ECO-R11	LGA1150 Intel® Core™ i7/i5/i3, Pentium® and Celeron® CPU per Intel® H81, DDR3, VGA, Dual PCIe GbE, USB 2.0, COM, LPT, SATA 6Gb/s, HD Audio, ECO packing, RoHS (10 pce/pack)
19800-000049-RS	LPT flat cable, 240mm, P=2.54
19800-000075-RS	PS/2 KB/MS cable with bracket, 220mm, P=2.0
19800-003100-100-RS	Dual port USB cable with bracket, 30mm, P=2.54
19800-010500-200-RS	USB 3.2 Gen 1 (5Gb/s) cable with bracket, 450mm
32102-000100-200-RS	SATA power cable, MOLEX 5264-4P to SATA15P
32205-001203-200-RS	RS-232 cable, 40-pin to four DB-9, 400mm, P=2.54
32205-003801-100-RS	RS-232/422/485, RS-422/485 cable, 500mm
CF-115XA-R10	High performance LGA1155/LGA1156 cooler kit, 1U chassis compatible, 73W
CF-115XE-R10	High performance LGA1155/LGA1156 cooler kit, 95W
DP-DP-R10	DisplayPort to DisplayPort converter board (for IEI iDP connector)
DP-DVI-R10	DisplayPort to DVI-D converter board (for IEI iDP connector)
DP-HDMI-R10	DisplayPort to HDMI converter board (for IEI iDP connector)
DP-LVDS-R10	DisplayPort to 24-bit dual-channel LVDS converter board (for IEI iDP connector)
DP-VGA-R10	DisplayPort to VGA converter board (for IEI iDP connector)
TPM-IN01-R20	20-pin Infineon TPM module, software management tool, firmware v3.17