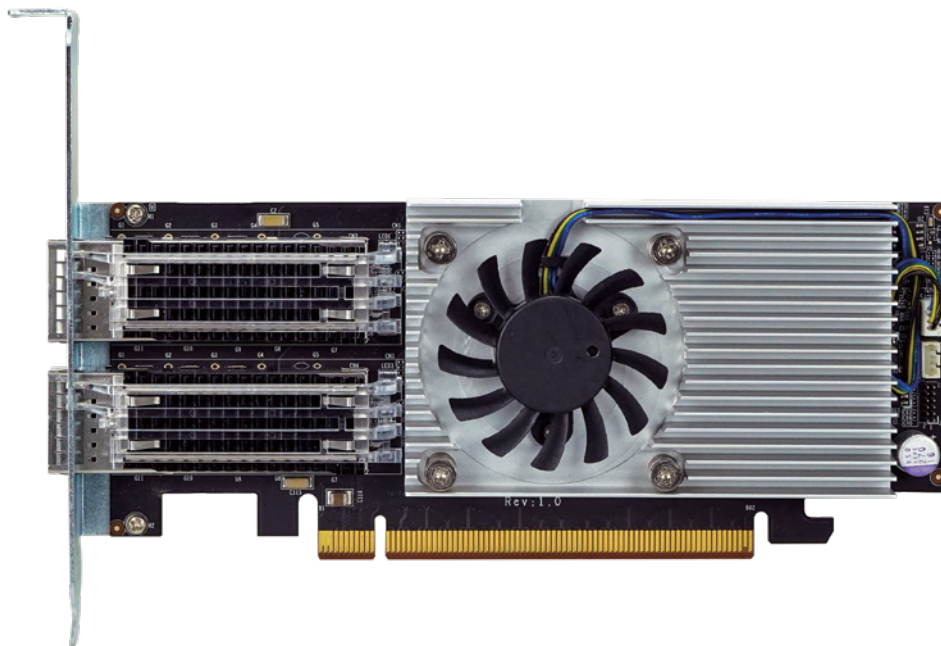


LAN-100G2SF-E810

Intel® EZE810CAM2 Ethernet Controller based
Network Interface Card with Two QSFP28 via PCIe
4.0 x16 Interface



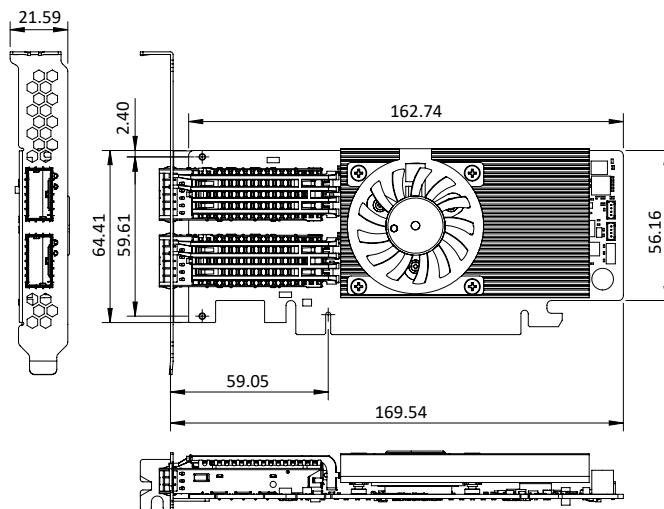
Features

- 1 x Intel E810 Ethernet controller
- 2-port 100GbE QSFP28 connector
- Support PCIe Gen4 x16

Specifications

- ◆ Form Factor
Low profile PCI Express® add-on card
- ◆ NIC
Intel® E810
- ◆ LAN Interface
QSFP28
- ◆ Speed
100GbE
- ◆ LAN Ports
2 x LAN ports
- ◆ Host Interface
1 x PCIe Gen4 x16
- ◆ Storage Temperature
-20°C ~ 75°C (-4°F ~ 167°F)
- ◆ Operating Temperature
0°C ~ 40°C (32°F ~ 104°F)
- ◆ Operating Humidity
5% ~ 95% RH, Non-condensing
- ◆ Dimensions (mm)
165.50 (L) x 77.8 (W) x 44.2 (H)
- ◆ RoHS compliant

Dimensions



Packing List

1 x LAN-100G2SF-E810 Module

1 x QIG

Ordering Information

Part No.	Description
LAN-100G2SF-E810-R10	Intel® EZE810CAM2 Ethernet Controller based PCIe Card with Two QSFP28 via PCIe 4.0 x16 Interface