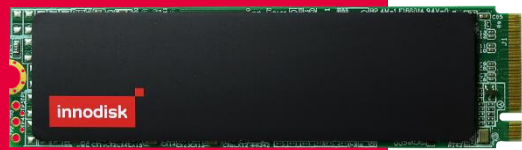


Datasheet

# M.2 (P80) 4TS2-P series

- PCIe Gen. 4x4, NVMe 1.4 for Edge Server field
- Excellent data transfer speed
- Stable sustained performance
- Heat-spreading design
- LDPC ECC engine supported.
- Thermal Throttling management
- 256-bit AES hardware-based encryption
- Support TCG Opal Function (Optional)



## Introduction

Innodisk M.2 (P80) 4TS2-P is an NVM Express SSD designed as the standard M.2 form factor with PCIe interface and 3D TLC NAND Flash. M.2 (P80) 4TS2-P supports PCIe Gen. 4x4, and it is compliant with NVMe 1.4 providing excellent performance. M.2 (P80) 4TS2-P with heat-spreading design dissipate heat generating from IC making SSD perform more steady. M.2 (P80) 4TS2-P has Die RAID protection to reduce bad blocks happening and optimize data integrity.

Innodisk M.2 (P80) 4TS2-P provides ultra-speed and high IOPS and offers maximum capacity up to 3.2TB, making the SSD optimal for server and heavy data workload applications.

# M.2 (P80) 4TS2-P series

Contact us for more information  
about the M.2 (P80) 4TS2-P.

Innodisk is a service-driven provider of industrial embedded flash and DRAM storage products and technologies, with a focus on the cloud computing, industrial/embedded, and aerospace and defense industries.

## Headquarters (Taiwan)

5F., No. 237, Sec. 1, Datong Rd., Xizhi  
Dist., New Taipei City 221, Taiwan  
Tel: +886-2-7703-3000  
Email: sales@innodisk.com

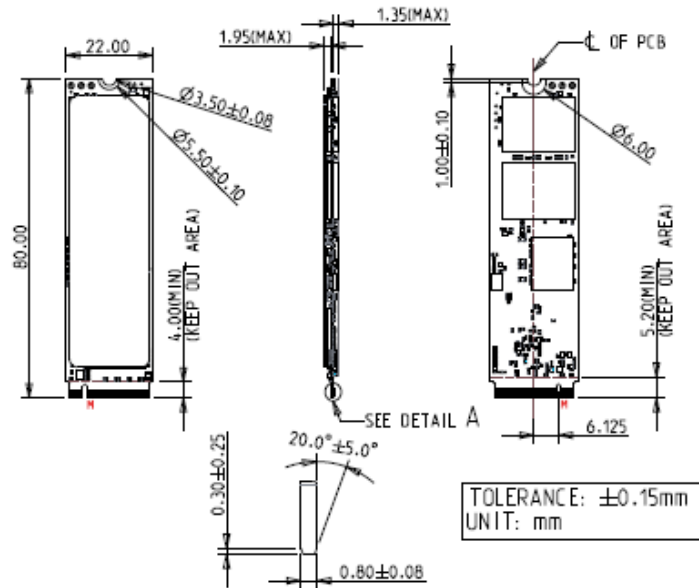
## Branch Offices:

USA  
[usasales@innodisk.com](mailto:usasales@innodisk.com)  
+1-510-770-9421  
Europe  
[eusales@innodisk.com](mailto:eusales@innodisk.com)  
+31-40-3045-400  
Japan  
[jpsales@innodisk.com](mailto:jpsales@innodisk.com)  
+81-3-6667-0161  
China  
[sales\\_cn@innodisk.com](mailto:sales_cn@innodisk.com)  
+86-755-21673689  
[www.innodisk.com](http://www.innodisk.com)

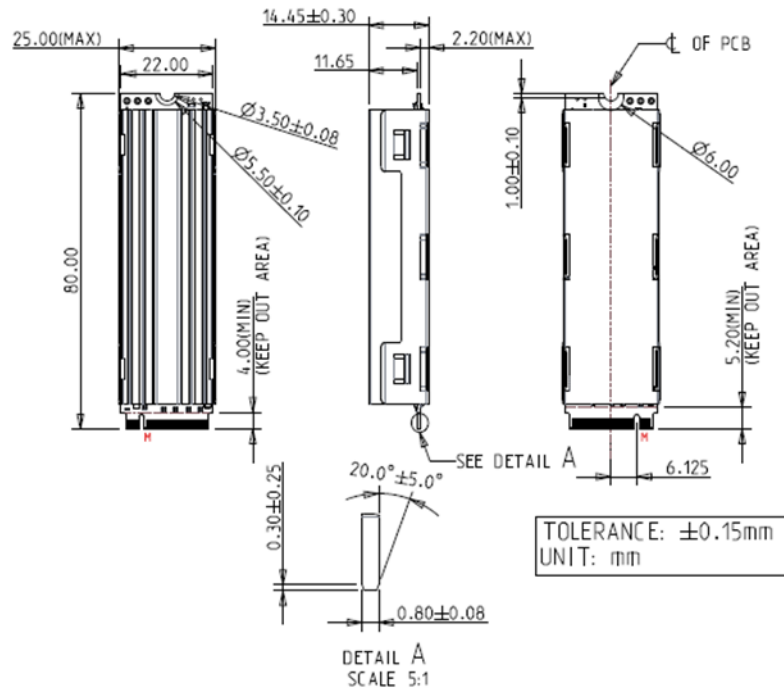
© 2024 Innodisk Corporation.  
All right reserved. Specifications are  
subject to change without  
prior notice.

20240402

## Diagram(ST)



## Diagram(WT)



## Specifications

**Contact us for more information about the M.2 (P80) 4TS2-P.**

Innodisk is a service-driven provider of industrial embedded flash and DRAM storage products and technologies, with a focus on the cloud computing, industrial/embedded, and aerospace and defense industries.

### Headquarters (Taiwan)

5F., No. 237, Sec. 1, Datong Rd., Xizhi Dist., New Taipei City 221, Taiwan  
Tel: +886-2-7703-3000  
Email: sales@innodisk.com

### Branch Offices:

USA  
[usasales@innodisk.com](mailto:usasales@innodisk.com)  
+1-510-770-9421

Europe  
[eusales@innodisk.com](mailto:eusales@innodisk.com)  
+31-40-3045-400

Japan  
[jpsales@innodisk.com](mailto:jpsales@innodisk.com)  
+81-3-6667-0161

China  
[sales\\_cn@innodisk.com](mailto:sales_cn@innodisk.com)  
+86-755-21673689

[www.innodisk.com](http://www.innodisk.com)

© 2024 Innodisk Corporation.  
All right reserved. Specifications are subject to change without prior notice.

20240402

Interface	PCIe Gen. 4x4
Flash Type	3D TLC
P/E cycle	3,000
Capacity	400GB~3.2TB
Max. Channels	8
Sequential R/W (MB/sec, max.)	6,950/4,650
Max. Power Consumption	7W
Thermal Sensor	√
External DRAM buffer	√
H/W Write Protect	NA
Dimension (WxLxH)	ST with heat-spreading copper layer: 22.0 X 80.0 X 3.3 mm WT with heatsink: 25.0 X 80.0 X 14.45 mm (Pure M.2: 22.0 X 80.0 X 2.87 mm)
Environment	Vibration: 20G @7~2000Hz Shock: 1500G @ 0.5ms Storage Temperature: -40°C ~ +85°C MTBF: 3 million hours

## Ordering Information

Operation Temp.	400GB	800GB	1.6TB	3.2TB
Standard Grade (0°C ~ +70°C)	DSM28-400DP1KCCEF DSM28-400DP2KCCEF	DSM28-800DP1KCCEF DSM28-800DP2KCCEF	DSM28-1T6DP1KCCEF DSM28-1T6DP2KCCEF	DSM28-3T2DP1KCCEF DSM28-3T2DP2KCCEF
Industrial Grade (-40°C ~ +85°C)	DSM28-400DP1KWCEF DSM28-400DP2KWCEF	DSM28-800DP1KWCEF DSM28-800DP2KWCEF	DSM28-1T6DP1KWCEF DSM28-1T6DP2KWCEF	DSM28-3T2DP1KWCEF DSM28-3T2DP2KWCEF

For TCG OPAL function, the PN Code 10<sup>th</sup>~12<sup>th</sup> will be DP2.

