

# E1.S

## 4TS2-P Series

**Customer:** \_\_\_\_\_  
**Customer**  
**Part**  
**Number:** \_\_\_\_\_  
**Innodisk**  
**Part**  
**Number:** \_\_\_\_\_  
**Innodisk**  
**Model Name:** \_\_\_\_\_  
**Date:** \_\_\_\_\_

<b>Innodisk Approver</b>	<b>Customer Approver</b>

**Total Solution For  
Industrial Flash Storage**

## Table of contents

<b>1. PRODUCT OVERVIEW</b>	<b>8</b>
<b>1.1 INTRODUCTION OF INNODISK E1.S 4TS2-P</b>	<b>8</b>
<b>1.2 PRODUCT MODELS</b>	<b>8</b>
<b>1.3 PCIE INTERFACE</b>	<b>9</b>
<b>2. PRODUCT SPECIFICATIONS</b>	<b>10</b>
<b>2.1 CAPACITY AND DEVICE PARAMETERS</b>	<b>10</b>
<b>2.2 PERFORMANCE</b>	<b>10</b>
<b>2.3 ELECTRICAL SPECIFICATIONS</b>	<b>12</b>
<b>2.3.1 Power Requirement</b>	<b>12</b>
<b>2.3.2 Power Consumption</b>	<b>12</b>
<b>2.4 ENVIRONMENTAL SPECIFICATIONS</b>	<b>12</b>
<b>2.4.1 Temperature Ranges</b>	<b>12</b>
<b>2.4.2 Humidity</b>	<b>12</b>
<b>2.4.3 Shock and Vibration</b>	<b>12</b>
<b>2.4.4 Mean Time between Failures (MTBF)</b>	<b>13</b>
<b>2.5 CE AND FCC COMPATIBILITY</b>	<b>13</b>
<b>2.6 RoHS COMPLIANCE</b>	<b>13</b>
<b>2.8 TRANSFER MODE</b>	<b>14</b>
<b>2.9 PIN ASSIGNMENT</b>	<b>14</b>
<b>2.10 MECHANICAL DIMENSIONS</b>	<b>15</b>
<b>2.11 ASSEMBLY WEIGHT</b>	<b>16</b>
<b>2.12 SEEK TIME</b>	<b>16</b>
<b>2.13 NAND FLASH MEMORY</b>	<b>16</b>
<b>3. THEORY OF OPERATION</b>	<b>17</b>
<b>3.1 OVERVIEW</b>	<b>17</b>
<b>3.2 PCIE GEN. 4 X4 CONTROLLER</b>	<b>17</b>
<b>3.3 ERROR DETECTION AND CORRECTION</b>	<b>18</b>
<b>3.4 WEAR-LEVELING</b>	<b>18</b>
<b>3.5 BAD BLOCKS MANAGEMENT</b>	<b>18</b>
<b>3.6 iDATA GUARD</b>	<b>18</b>
<b>3.7 GARBAGE COLLECTION/TRIM</b>	<b>18</b>
<b>3.8 THERMAL MANAGEMENT</b>	<b>19</b>
<b>3.9 DIE RAID</b>	<b>19</b>
<b>3.10 SLC CACHE</b>	<b>19</b>
<b>3.11 iCELL TECHNOLOGY</b>	<b>19</b>
<b>3.12 TCG OPAL</b>	<b>19</b>

<b>3.13 THERMAL THROTTLING .....</b>	<b>20</b>
<b>4. INSTALLATION REQUIREMENTS .....</b>	<b>21</b>
<b>4.1 E1.S 4TS2-P PIN DIRECTIONS.....</b>	<b>21</b>
<b>4.2 ELECTRICAL CONNECTIONS FOR E1.S 4TS2-P .....</b>	<b>21</b>
<b>4.3 DEVICE DRIVER.....</b>	<b>21</b>
<b>5. SMART / HEALTH INFORMATION.....</b>	<b>22</b>
<b>5.1 GET LOG PAGE (LOG IDENTIFIER 02H) .....</b>	<b>22</b>
<b>6. PART NUMBER RULE .....</b>	<b>26</b>

**Features:**

- PCIe Gen.4 x 4, NVMe SSD
- Kioxia 3D TLC NAND
- EDSFF 1U Short
- Standard & Wide temperature
- PLP (iCell) Feature
- iDataguard
- Thermal Throttling Management
- Hybrid Write Mode with SLC Cache Enable
- 256-bit AES hardware-based encryption
- Support TCG-Opal 2.0

**Performance:**

- Sequential Read up to 6,900 MB/s
- Sequential Write up to 4,650 MB/s

**Power Requirements:**

Input Voltage:	12V±5%
Max Operating Wattage (R/W):	10.9W
Idle Wattage:	2.8W

**Reliability:**

Capacity	TBW (enterprise)	DWPD
400GB	655	1
800GB	1,348	1
1.6TB	2,774	1
3.2TB	4,762	0.9

Data Retention	10 Year
Warranty	5 Years

DWPD based on Enterprise workload 5 years limited warranty

For warranty details, please refer to:

[https://www.innodisk.com/en/support\\_and\\_service/warranty](https://www.innodisk.com/en/support_and_service/warranty)

## REVISION HISTORY

Revision	Description	Date
V1.0	First release	Mar., 2024
V1.1	Update TBW value	May, 2024

## List of Tables

<b>TABLE 1: DEVICE PARAMETERS .....</b>	<b>10</b>
<b>TABLE 2: PERFORMANCE - 112 LAYERS 3D TLC .....</b>	<b>10</b>
<b>TABLE 3: LATENCY (QD1).....</b>	<b>11</b>
<b>TABLE 4: QUALITY OF SERVICE (QoS).....</b>	<b>11</b>
<b>TABLE 5: INNODISK E1.S 4TS2-P POWER REQUIREMENT .....</b>	<b>12</b>
<b>TABLE 6: TYPICAL POWER CONSUMPTION .....</b>	<b>12</b>
<b>TABLE 7: TEMPERATURE RANGE FOR E1.S 4TS2-P .....</b>	<b>12</b>
<b>TABLE 8: SHOCK/VIBRATION TESTING FOR E1.S 4TS2-P .....</b>	<b>12</b>
<b>TABLE 9: E1.S 4TS2-P MTBF.....</b>	<b>13</b>
<b>TABLE 10: E1.S 4TS2-P TBW .....</b>	<b>13</b>
<b>TABLE 11: INNODISK E1.S 4TS2-P PIN ASSIGNMENT.....</b>	<b>14</b>
<b>TABLE 12: INNODISK E1.S 4TS2-P LED INDICATOR .....</b>	<b>14</b>
<b>TABLE 13: E1.S 4TS2-P SLC CACHE .....</b>	<b>19</b>
<b>TABLE 14: GET LOG PAGE – SMART / HEALTH INFORMATION LOG .....</b>	<b>22</b>

## List of Figures

<b>FIGURE 1: INNODISK E1.S 4TS2-P .....</b>	<b>8</b>
<b>FIGURE 2: INNODISK E1.S 4TS2-P WITH 9.5MM ENCLOSURE .....</b>	<b>15</b>
<b>FIGURE 3: INNODISK E1.S 4TS2-P WITH 15MM ENCLOSURE .....</b>	<b>15</b>
<b>FIGURE 4: INNODISK E1.S 4TS2-P 5.9MM .....</b>	<b>16</b>
<b>FIGURE 5: INNODISK E1.S 4TS2-P BLOCK DIAGRAM .....</b>	<b>17</b>
<b>FIGURE 6: SIGNAL SEGMENT AND POWER SEGMENT .....</b>	<b>21</b>

# 1. Product Overview

## 1.1 Introduction of Innodisk E1.S 4TS2-P

Innodisk E1.S 4TS2-P is an NVM Express SSD designed as the standard EDSFF 1U short form factor (E1.S) with PCIe interface and 3D TLC NAND Flash. E1.S 4TS2-P supports PCIe Gen. 4 x4, and it is compliant with NVMe 1.4 providing excellent performance. E1.S 4TS2-P with heat-spreading design dissipate heat generating from IC making SSD perform more steady. E1.S 4TS2-P has Die RAID protection to reduce bad blocks happening and optimize data integrity.

In addition, 4TS2-P series adopt hybrid mode which enables SLC Cache up to 3% of total user capacity followed by TLC direct write to strike balance between burst performance and steady overall stability.

Innodisk E1.S 4TS2-P provides ultra-speed and high IOPS and offers maximum capacity up to 4TB, making the SSD optimal for server and heavy data workload applications.

**CAUTION** *TRIM must be enabled.*

*TRIM enables SSD's controller to skip invalid data instead of moving. It can free up significant amount of resources, extends the lifespan of SSD by reducing erase, and write cycles on the SSD. Innodisk's handling of garbage collection along with TRIM command improves write performance on SSDs.*

## 1.2 Product Models

Innodisk E1.S 4TS2-P is available in follow capacities within 3D TLC flash ICs.

E1.S 4TS2-P 400GB

E1.S 4TS2-P 800GB

E1.S 4TS2-P 1.6TB

E1.S 4TS2-P 3.2TB



**Figure 1: Innodisk E1.S 4TS2-P**



### 1.3 PCIe Interface

Innodisk E1.S 4TS2-P supports PCIe Gen. 4 interface and compliant with NVMe 1.4. E1.S 4TS2-P can work under PCIe Gen. 1, Gen. 2, Gen. 3, and Gen. 4.

Most of operating system includes NVMe in-box driver now. For more information about the driver support in each OS, please visit <http://nvmexpress.org/drivers>.

## 2. Product Specifications

### 2.1 Capacity and Device Parameters

E1.S 4TS2-P device parameters are shown in Table 1.

**Table 1: Device parameters**

Capacity	LBA	User Capacity(MB)
400GB	781422768	381554
800GB	1562824368	763097
1.6TB	3125627568	1526185
3.2TB	6251233968	3052360

### 2.2 Performance

Burst Transfer Rate: 8 GB/s

**Table 2: Performance - 112 Layers 3D TLC**

Capacity	Unit	400GB	800GB	1.6TB	3.2TB
Sequential** Read (Q8T1)	MB/s	5,500	6,950	6,650	6,650
Sequential** Write (Q8T1)		2,250	4,000	4,650	4,500
Sustained Sequential Read (Avg.)***		1,950	2,500	2,400	2,150
Sustained Sequential Write (Avg.)***		470	900	1,550	1,200
4KB Random** Read (Q32T16)	IOPS	453,000	870,000	905,000	905,000
4KB Random** Write (Q32T16)		578,000	761,000	782,000	766,000

Note: \* Performance results are measured in Room Temperature with Out-of-Box devices and may vary depending on overall system setup. In addition, 4TS2-P series adopt hybrid mode which enables SLC Cache up to 3% of full disk capacity followed by TLC direct write to strike balance between burst performance and steady overall stability.

\*\* Performance results are based on CrystalDiskMark 8.0.1 with file size 1000MB. Unit of 4KB items is I.O.P.S.

\*\*\* Performance results are based on AIDA 64 v5.98 with block size 1MB of Linear Read & Write Test

Performance may vary for different thermal solutions.

Performance is affected by thermal throttling if device temperatures is over 75C.

**Table 3: Latency (QD1)**

Capacity	Unit	400GB	800GB	1.6TB	3.2TB
Sequential Read	μs	45	45	45	63
Sequential Write		10	10	10	10
Random Read		65	65	65	65
Random Write		10	10	10	10

Note: Latency measured using 4KB(4,096 Bytes) transfer size with Queue Depth equal to 1 on a sequential and random workload

**Table 4: Quality of Service (QoS)**

Capacity	400GB	800GB	1.6TB	3.2TB
Quality of Service <sup>1,2</sup> (99.9%) (Unit: ms)				
Read Queue Depth 1	0.08	0.08	0.08	0.08
Write Queue Depth 1	0.02	0.02	0.02	0.02

Note:

<sup>1</sup>Quality of Service measured using 4KB (4,096 bytes) transfer size on a random workload on a full Logical Block Address (LBA) span of the drive once the workload has reached steady state but including all background activities required for normal operation and data reliability.

<sup>2</sup>Based on Random 4KB QD=1 workloads, measured as the time taken for 99.9 percentile of commands to finish the round-trip from host to drive and back to host.

## 2.3 Electrical Specifications

### 2.3.1 Power Requirement

**Table 5: Innodisk E1.S 4TS2-P Power Requirement**

Item	Symbol	Rating	Unit
Input voltage	V <sub>IN</sub>	+12 DC +- 5%	V

### 2.3.2 Power Consumption

**Table 6: Typical Power Consumption**

Mode	Power Consumption (W)
Read	10.0
Write	10.9
Idle	2.8
Power on peak	15.4

Target: 3.2TB E1.S 4TS2-P

Note: Current results may vary depending on system components and power circuit design

Please refer to the test report for other capacities

## 2.4 Environmental Specifications

### 2.4.1 Temperature Ranges

**Table 7: Temperature range for E1.S 4TS2-P**

Temperature	Range
Operating	Standard Grade: 0°C to +70°C Industrial Grade: -40°C to +85°C
Storage	-40°C to +85°C

### 2.4.2 Humidity

Relative Humidity: 10-95%, non-condensing

### 2.4.3 Shock and Vibration

**Table 8: Shock/Vibration Testing for E1.S 4TS2-P**

Reliability	Test Conditions	Reference Standards
Vibration	7 Hz to 2K Hz, 20G, 3 axes	IEC 60068-2-6
Mechanical Shock	Duration: 0.5ms, 1500 G, 3 axes	IEC 60068-2-27

## 2.4.4 Mean Time between Failures (MTBF)

Table 7 summarizes the MTBF prediction results for various E1.S 4TS2-P configurations. The analysis was performed using a RAM Commander™ failure rate prediction.

- **Failure Rate:** The total number of failures within an item population, divided by the total number of life units expended by that population, during a particular measurement interval under stated condition.
- **Mean Time between Failures (MTBF):** A basic measure of reliability for repairable items: The mean number of life units during which all parts of the item perform within their specified limits, during a particular measurement interval under stated conditions.

**Table 9: E1.S 4TS2-P MTBF**

Product	Condition	MTBF (Hours)
Innodisk E1.S 4TS2-P	Telcordia SR-332 GB, 25°C	>3,000,000

## 2.5 CE and FCC Compatibility

E1.S 4TS2-P conforms to CE and FCC requirements.

## 2.6 RoHS Compliance

E1.S 4TS2-P is fully compliant with RoHS directive.

## 2.7 Reliability

**Table 10: E1.S 4TS2-P TBW**

Parameter	Value		
Flash endurance	3,000 P/E cycles		
Error Correct Code	Support(LDPC)		
Data Retention	Under 40°C: 10 Years at initial NAND Status ; 1 Years at NAND Life End		
<b>TBW* (Total Bytes Written) Unit: TB</b>			
<b>Capacity</b>	<b>Sequential workload</b>	<b>Client workload</b>	<b>Enterprise workload</b>
400GB	1,065	985	655
800GB	2,130	2,065	1,348
1.6TB	4,363	4,413	2,774
3.2TB	8,727	9,136	4,762
* Note:			
1. Sequential: Mainly sequential write are estimated by PassMark Burnin Test v8.1 pro.			
2. Client: Follow JESD218 Test method and JESD219A Workload, tested by ULINK. (The capacity lower than 64GB client workload is not specified in JEDEC219A, the values are estimated.)			
3. Based on out-of-box performance.			

## 2.8 Transfer Mode

E1.S 4TS2-P support following transfer mode:

PCIe Gen. 4: 8GB/s    PCIe Gen. 3: 4GB/s

PCIe Gen. 2: 2GB/s    PCIe Gen. 1: 1GB/s

## 2.9 Pin Assignment

Innodisk E1.S 4TS2-P follows SFF-TA-1009 specification EDSFF x4 (1C) pinout. See Table 9 for E1.S 4TS2-P pin assignment.

**Table 11: Innodisk E1.S 4TS2-P Pin Assignment**

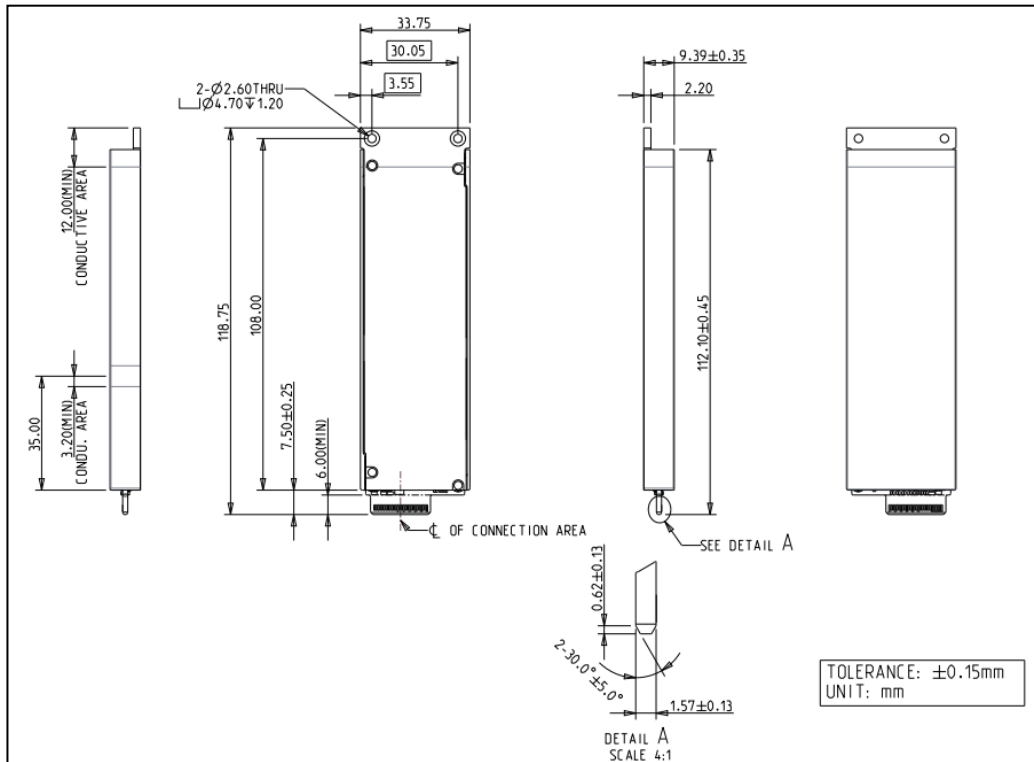
Signal Name	Pin #	Pin #	Signal Name
12 V	B1	A1	GND
12 V	B2	A2	GND
12 V	B3	A3	GND
12 V	B4	A4	GND
12 V	B5	A5	GND
12 V	B6	A6	GND
MFG	B7	A7	SMBCLK/I3CCLK
RFU	B8	A8	SMBDATA/I3CDATA
DUALPORTEN#	B9	A9	SMRST#
PERST0#	B10	A10	LED
3.3 Vaux	B11	A11	GPERST1#/CLKREQ#
PWRDIS	B12	A12	PRSNT0#
GND	B13	A13	GND
REFCLKn0	B14	A14	REFCLKn1
PEFCLKp0	B15	A15	REFCLKp1
GND	B16	A16	GND
PETn0	B17	A17	PERn0
PETp0	B18	A18	PERp0
GND	B19	A19	GND
PETn1	B20	A20	PERn1
PETp1	B21	A21	PERp1
GND	B22	A22	GND
PETn2	B23	A23	PERn2
PETp2	B24	A24	PERp2
GND	B25	A25	GND
PETn3	B26	A26	PERn3
PETp3	B27	A27	PERp3
GND	B28	A28	GND

**Table 12: Innodisk E1.S 4TS2-P LED indicator**

LED Color	Function
Green	Power on
	Access
Amber	Host Defined

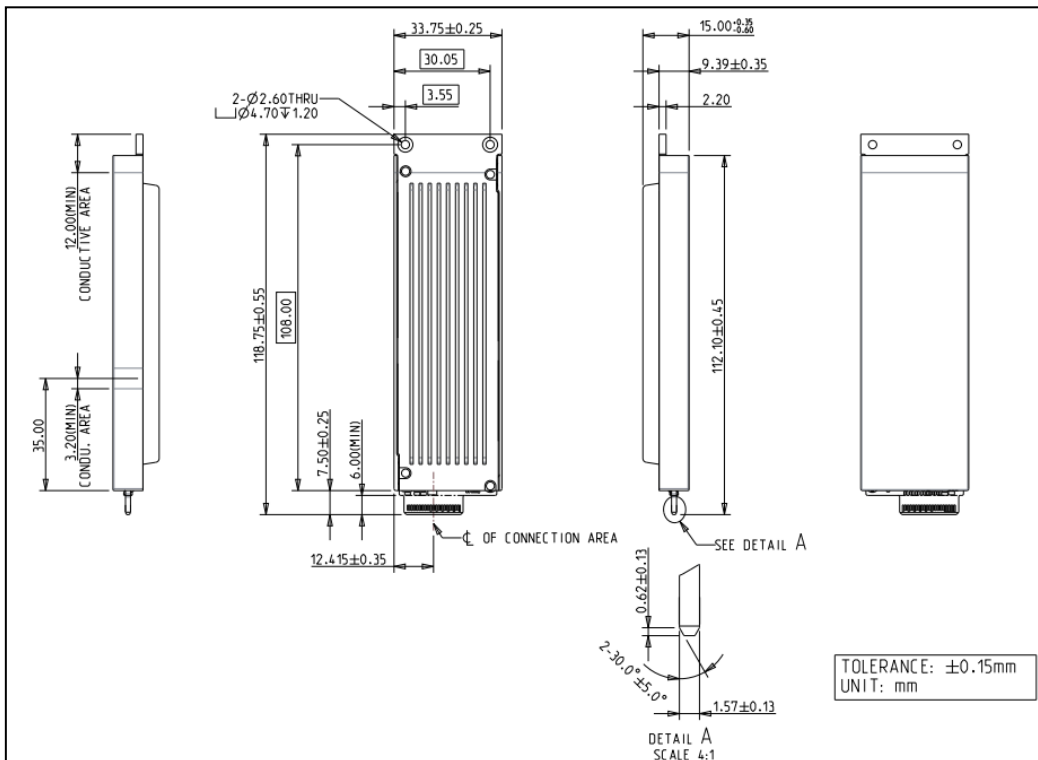
## 2.10 Mechanical Dimensions

EDSFF 1U short with 9.5mm symmetric heat-spreading enclosure



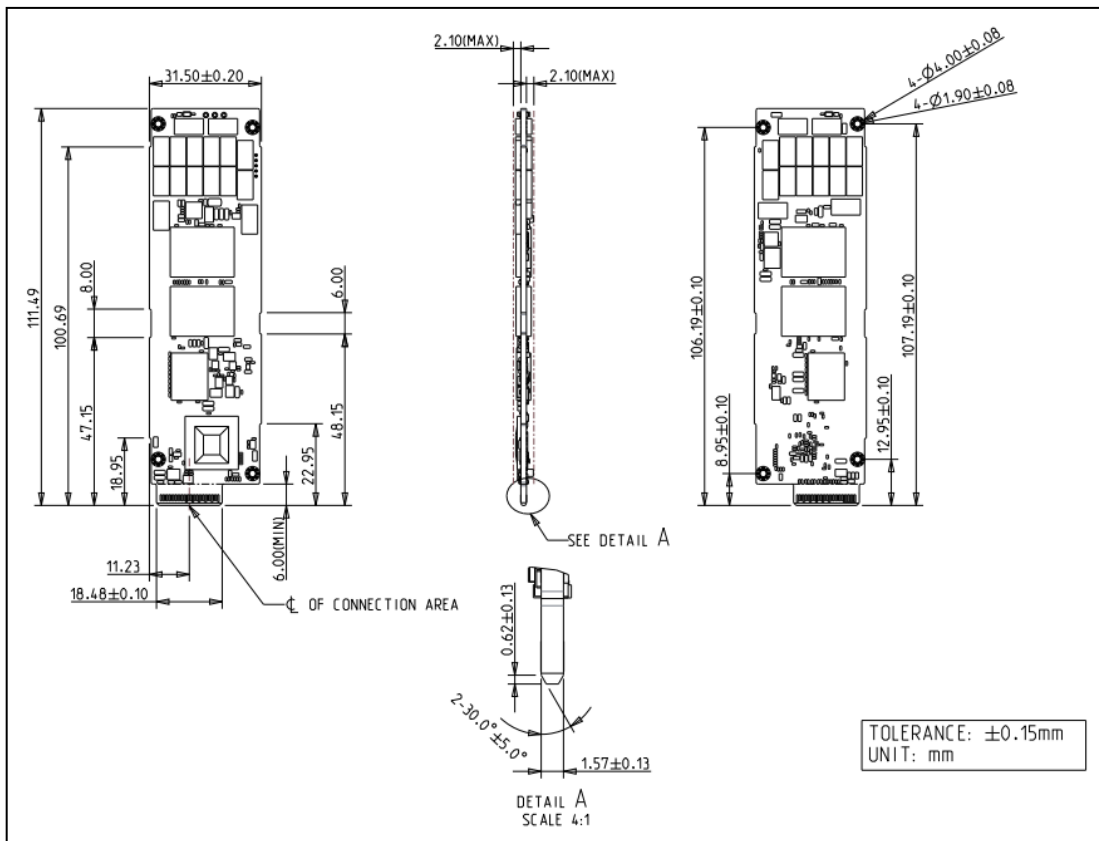
**Figure 2: Innodisk E1.S 4TS2-P with 9.5mm enclosure**

EDSFF 1U short with 15mm asymmetric heat-spreading enclosure



**Figure 3: Innodisk E1.S 4TS2-P with 15mm enclosure**

EDSFF 1U short 5.9mm



**Figure 4: Innodisk E1.S 4TS2-P 5.9mm**

**2.11 Assembly Weight**

An Innodisk E1.S 4TS2-P 4TB’s weight, with 15mm enclosure is 75.5 grams approximately, and with 9.5mm enclosure is approximately 67 grams approximately.

**2.12 Seek Time**

Innodisk E1.S 4TS2-P is not a magnetic rotating design. There is no seek or rotational latency required.

**2.13 NAND Flash Memory**

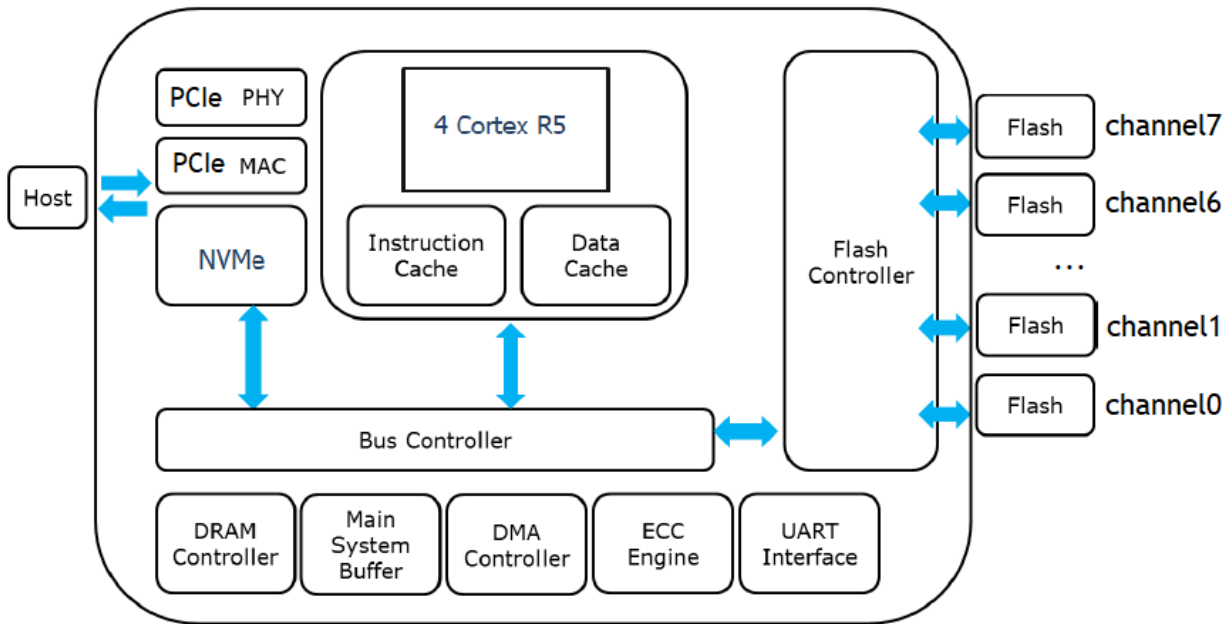
Innodisk E1.S 4TS2-P uses 3D TLC NAND flash memory, which is non-volatility, high reliability and high speed memory storage.



# 3. Theory of Operation

## 3.1 Overview

Figure 5 shows the operation of Innodisk E1.S 4TS2-P from the system level, including the major hardware blocks.



**Figure 5: Innodisk E1.S 4TS2-P Block Diagram**

Innodisk E1.S 4TS2-P integrates a PCIe Gen IV x4 controller and NAND flash memories. Communication with the host occurs through the host interface, using the standard NVM protocol. Communication with the flash device(s) occurs through the flash interface.

## 3.2 PCIe Gen. 4 x4 Controller

Innodisk E1.S 4TS2-P is a PCIe Gen. 4x4 controller is compliant with NVMe 1.4, up to 32.0Gbps transfer speed. Also it is compliant with PCIe Gen. 1, Gen. 2, Gen. 3 and Gen. 4 specification. The controller supports up to 8 channels for flash interface.

### 3.3 Error Detection and Correction

Innodisk E1.S 4TS2-P is designed with hardware LDPC ECC engine with hard-decision and soft-decision decoding. Low-density parity-check (LDPC) codes have excellent error correcting performance close to the Shannon limit when decoded with the belief-propagation (BP) algorithm using soft-decision information.

### 3.4 Wear-Leveling

Flash memory can be erased within a limited number of times. This number is called the **erase cycle limit** or **write endurance limit** and is defined by the flash array vendor. The erase cycle limit applies to each individual erase block in the flash device.

Innodisk E1.S 4TS2-P uses a combination of two types of wear leveling- dynamic and static wear leveling- to distribute write cycling across an SSD and balance erase count of each block, thereby extending flash lifetime.

### 3.5 Bad Blocks Management

Bad Blocks are blocks that contain one or more invalid bits whose reliability are not guaranteed. The Bad Blocks may be presented while the SSD is shipped, or may develop during the life time of the SSD. When the Bad Blocks is detected, it will be flagged, and not be used anymore. The SSD implement Bad Blocks management, Bad Blocks replacement, Error Correct Code to avoid data error occurred. The functions will be enabled automatically to transfer data from Bad Blocks to spare blocks, and correct error bit.

### 3.6 iData Guard

Innodisk's iData Guard is a comprehensive data protection mechanism that functions before and after a sudden power outage to the SSD. Low-power detection terminates data writing before an abnormal power-off, while table-remapping after power-on deletes corrupt data and maintains data integrity. Innodisk's iData Guard provides effective power cycling management, preventing data stored in flash from degrading with use.

### 3.7 Garbage Collection/TRIM

Garbage collection and TRIM technology is used to maintain data consistency and perform continual data cleansing on SSDs. It runs as a background process, freeing up valuable controller resources while sorting good data into available blocks, and deleting bad blocks. It also significantly reduces write operations to the drive, thereby increasing the SSD's speed and lifespan.

### 3.8 Thermal Management

E1.S 4TS2-P has built-in thermal sensor which can detect environment temperature of SSD. In the meantime, firmware will monitor the thermal sensor to prevent any failure of overheating. During extreme temperature, firmware will adjust the data transfer behavior to maintain the SSD’s reliable operation.

### 3.9 Die RAID

Die RAID is a controller function which leveraged user capacity to back up the data in NAND flash. Die RAID supported can ensure the user data in the NAND Flash more consistent in certain scenario. Innodisk E1.S 4TS2-P series is default enable the Die RAID function for the industrial application.

### 3.10 SLC Cache

4TS2-P series adopt hybrid mode which enables SLC Cache up to 3% of total user capacity followed by TLC direct write to strike balance between burst performance and steady overall stability. The SLC Cache buffer size are defined as table below.

**Table 13: E1.S 4TS2-P SLC cache**

Capacity	400GB	800GB	1.6TB	3.2TB
SLC cache (GB)	12	24	49.2	65.5
SLC cache (%)	3	3	3	2

### 3.11 iCell Technology

iCell circuit is designed with several capacitors to be able to provide power after host power off. The SSD controller can write all DRAM buffer data to flash, so that is why E1.S 4TS2-P can ensure all data can be written to disk without any data loss.

### 3.12 TCG OPAL

OPAL is a set of specifications for features of data storage devices that enhance security. These specifications are published by the Trusted Computing Group’s Storage Work Group. Innodisk 4TS2-P is compliant with TCG OPAL 2.0(\*1). The capability of TCG OPAL Security mode allows multiple users with independent access control to read/write/erase independent data areas (LBA ranges). Each locking range adjusts by authenticated authority. Note that by default there is a single “Global Range” that encompasses the whole user data area. In TCG Opal Security Mode, Revert, Revert SP and GenKey command can erase all of data including global range and locking range; in the meantime generate the new encrypted key.

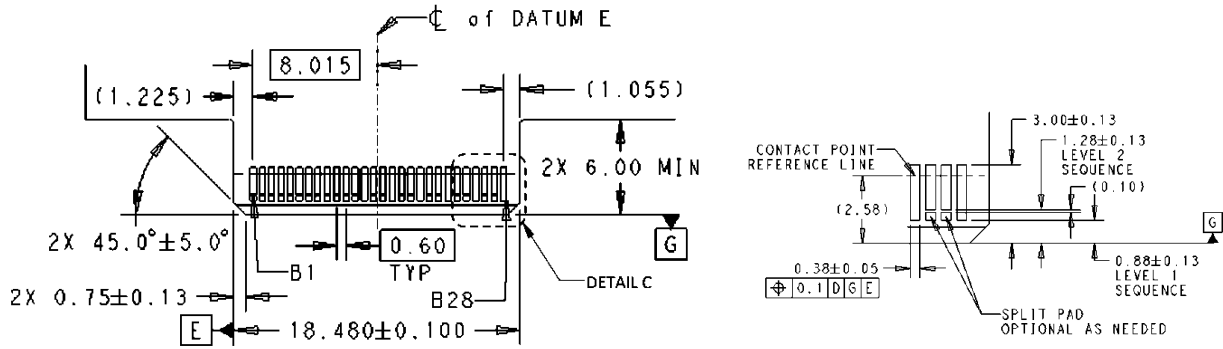
\*1. You need to install TCG OPAL software to implement OPAL function, which is supplied by TCG OPAL software developed company.

### 3.13 Thermal Throttling

Thermal throttling is a protective mechanism designed to safeguard components from potential damage caused by excessive temperatures. When an SSD approaches a critical temperature threshold, Innodisk firmware activates the thermal throttling mechanism to regulate the SSD's temperature. Thermal throttling is crucial for SSDs since it prevents drive damage, which could otherwise result in data loss. However, it's worth noting that when thermal throttling is activated, read and write tasks may experience a reduction in speed.

# 4. Installation Requirements

## 4.1 E1.S 4TS2-P Pin Directions



**Figure 6: Signal Segment and Power Segment**

## 4.2 Electrical Connections for E1.S 4TS2-P

EDSFF 1C interconnect is based on a 56 position Edge Card connector. The 56 position connector is intended to be keyed so as to distinguish between families of host interfaces and the various Sockets used in general Platforms. E1.S 4TS2-P is compliant with EDSFF x4 (1C) and is compatible with EDSFF x4 (1C) host connector.

## 4.3 Device Driver

E1.S 4TS2-P is compliant with NVMe 1.4. Both Operation System and BIOS should include NVMe driver to compatible with NVMe device. Nowadays, most of OS includes NVMe in-box driver now. For more information about the driver support in each OS, please visit the website <http://nvmexpress.org/resources/drivers>. For BIOS NVMe driver support please contact with motherboard manufacture.

## 5. SMART / Health Information

This log page is used to provide SMART and general health information. The information provided is over the life of the controller and is retained across power cycles. More details about Set Features command; please refer to NVM Express 1.3

### 5.1 Get Log Page (Log Identifier 02h)

Innodisk 4TS2-P series SMART / Health Information Log are listed in following table.

**Table 14: Get Log Page – SMART / Health Information Log**

Bytes	Description														
0	<p><b>Critical Warning:</b> This field indicates critical warnings for the state of the controller. Each bit corresponds to a critical warning type; multiple bits may be set. If a bit is cleared to '0', then that critical warning does not apply. Critical warnings may result in an asynchronous event notification to the host. Bits in this field represent the current associated state and are not persistent.</p> <table border="1"> <thead> <tr> <th>Bit</th> <th>Definition</th> </tr> </thead> <tbody> <tr> <td>00</td> <td>If set to '1', then the available spare space has fallen below the threshold.</td> </tr> <tr> <td>01</td> <td>If set to '1', then a temperature is above an over temperature threshold or below an under</td> </tr> <tr> <td>02</td> <td>If set to '1', then the NVM subsystem reliability has been degraded due to significant media related</td> </tr> <tr> <td>03</td> <td>If set to '1', then the media has been placed in read only mode.</td> </tr> <tr> <td>04</td> <td>If set to '1', then the volatile memory backup device has failed. This field is only valid if the</td> </tr> <tr> <td>07:05</td> <td>Reserved</td> </tr> </tbody> </table>	Bit	Definition	00	If set to '1', then the available spare space has fallen below the threshold.	01	If set to '1', then a temperature is above an over temperature threshold or below an under	02	If set to '1', then the NVM subsystem reliability has been degraded due to significant media related	03	If set to '1', then the media has been placed in read only mode.	04	If set to '1', then the volatile memory backup device has failed. This field is only valid if the	07:05	Reserved
Bit	Definition														
00	If set to '1', then the available spare space has fallen below the threshold.														
01	If set to '1', then a temperature is above an over temperature threshold or below an under														
02	If set to '1', then the NVM subsystem reliability has been degraded due to significant media related														
03	If set to '1', then the media has been placed in read only mode.														
04	If set to '1', then the volatile memory backup device has failed. This field is only valid if the														
07:05	Reserved														
2:1	<p><b>Composite Temperature:</b> Contains a value corresponding to a temperature in degrees Kelvin that represents the current composite temperature of the controller and namespace(s) associated with that controller. The manner in which this value is computed is implementation specific and may not represent the actual temperature of any physical point in the NVM subsystem. The value of this field may be used to trigger an asynchronous event.</p> <p>Warning and critical overheating composite temperature threshold values are reported by the WCTEMP and CCTEMP fields in the Identify Controller data structure.</p>														
3	<p><b>Available Spare:</b> Contains a normalized percentage (0 to 100%) of the remaining spare capacity available.</p>														

4	<b>Available Spare Threshold:</b> When the Available Spare falls below the threshold indicated in this field, an asynchronous event completion may occur. The value is indicated as a normalized percentage (0 to 100%).
5	<b>Percentage Used:</b> Contains a vendor specific estimate of the percentage of NVM subsystem life used based on the actual usage and the manufacturer's prediction of NVM life. A value of 100 indicates that the estimated endurance of the NVM in the NVM subsystem has been consumed, but may not indicate an NVM subsystem failure. The value is allowed to exceed 100. Percentages greater than 254 shall be represented as 255. This value shall be updated once per power-on hour (when the controller is not in a sleep state). Refer to the JEDEC JESD218A standard for SSD device life and endurance measurement techniques.
31:6	<b>Reserved</b>
47:32	<b>Data Units Read:</b> Contains the number of 512 byte data units the host has read from the controller; this value does not include metadata. This value is reported in thousands (i.e., a value of 1 corresponds to 1000 units of 512 bytes read) and is rounded up. When the LBA size is a value other than 512 bytes, the controller shall convert the amount of data read to 512 byte units. For the NVM command set, logical blocks read as part of Compare and Read operations shall be included in this value.
63:48	<b>Data Units Written:</b> Contains the number of 512 byte data units the host has written to the controller; this value does not include metadata. This value is reported in thousands (i.e., a value of 1 corresponds to 1000 units of 512 bytes written) and is rounded up. When the LBA size is a value other than 512 bytes, the controller shall convert the amount of data written to 512 byte units. For the NVM command set, logical blocks written as part of Write operations shall be included in this value. Write Uncorrectable commands shall not impact this value.
79:64	<b>Host Read Commands:</b> Contains the number of read commands completed by the controller. For the NVM command set, this is the number of Compare and Read commands.
95:80	<b>Host Write Commands:</b> Contains the number of write commands completed by the controller. For the NVM command set, this is the number of Write commands.
111:96	<b>Controller Busy Time:</b> Contains the amount of time the controller is busy with I/O commands. The controller is busy when there is a command outstanding to an I/O Queue (specifically, a command was issued via an I/O Submission Queue Tail doorbell write and the corresponding completion queue entry has not been posted yet to the associated I/O Completion Queue). This value is reported in minutes.
127:112	<b>Power Cycles:</b> Contains the number of power cycles.

143:128	<b>Power On Hours:</b> Contains the number of power-on hours. This may not include time that the controller was powered and in a non-operational power state.
159:144	<b>Unsafe Shutdowns:</b> Contains the number of unsafe shutdowns. This count is incremented when a shutdown notification (CC.SHN) is not received prior to loss of power.
175:160	<b>Media and Data Integrity Errors:</b> Contains the number of occurrences where the controller detected an unrecovered data integrity error. Errors such as uncorrectable ECC, CRC checksum failure, or LBA tag mismatch are included in this field.
191:176	<b>Number of Error Information Log Entries:</b> Contains the number of Error Information log entries over the life of the controller.
195:192	<b>Warning Composite Temperature Time:</b> Contains the amount of time in minutes that the controller is operational and the Composite Temperature is greater than or equal to the Warning Composite Temperature Threshold (WCTEMP) field and less than the Critical Composite Temperature Threshold (CCTEMP) field in the Identify Controller data structure.  If the value of the WCTEMP or CCTEMP field is 0h, then this field is always cleared to 0h regardless of the Composite Temperature value.
199:196	<b>Critical Composite Temperature Time:</b> Contains the amount of time in minutes that the controller is operational and the Composite Temperature is greater than the Critical Composite Temperature Threshold (CCTEMP) field in the Identify Controller data structure.  If the value of the CCTEMP field is 0h, then this field is always cleared to 0h regardless of the Composite Temperature value.
201:200	<b>Temperature Sensor 1:</b> Controller's Tj temperature
203:202	<b>Temperature Sensor 2:</b> Flash package's Tj temperature (Channel #0 CE #0). This Flash package is located the closet to the controller IC on M.2 family.
205:204	<b>Temperature Sensor 3:</b> Flash package's Tj temperature (Channel #0 CE #0). This Flash package is located the closet to the controller IC on M.2 family.
207:206	<b>Temperature Sensor 4:</b> Flash package's Tj temperature (Channel #7 CE #0).
209:208	<b>Temperature Sensor 5:</b> Flash Tj max temperature from Channel #0 to Channel #3 Flash packages.
211:210	<b>Temperature Sensor 6:</b> Flash Tj max temperature from Channel #4 to Channel #7 Flash packages.
213:212	<b>Temperature Sensor 7:</b> Flash Tj minimum temperature from Channel #0 to Channel #3 Flash packages.
215:214	<b>Temperature Sensor 8:</b> Flash Tj minimum temperature from Channel #4 to Channel #7 Flash packages.
219:216	<b>Thermal Management Temperature 1 Transition Count:</b> Contains the number of times the controller transitioned to lower power active power states or performed vendor



	specific thermal management actions while minimizing the impact on performance in order to attempt to reduce the Composite Temperature because of the host controlled thermal management feature (refer to section 8.4.5) (i.e., the Composite Temperature rose above the Thermal Management Temperature 1.) This counter shall not wrap once it reaches its maximum value. A value of zero, indicates that this transition has never occurred or this field is not implemented.
223:220	<b>Thermal Management Temperature 2 Transition Count:</b> Contains the number of times the controller transitioned to lower power active power states or performed vendor specific thermal management actions regardless of the impact on performance (e.g., heavy throttling) in order to attempt to reduce the Composite Temperature because of the host controlled thermal management feature (refer to section 8.4.5) (i.e., the Composite Temperature rose above the Thermal Management Temperature 2.) This counter shall not wrap once it reaches its maximum value. A value of zero, indicates that this transition has never occurred or this field is not implemented.
227:224	<b>Total Time For Thermal Management Temperature 1:</b> Contains the number of seconds that the controller had transitioned to lower power active power states or performed vendor specific thermal management actions while minimizing the impact on performance in order to attempt to reduce the Composite Temperature because of the host controlled thermal management feature (refer to section 8.4.5). This counter shall not wrap once it reaches its maximum value. A value of zero, indicates that this transition has never occurred or this field is not implemented.
231:228	<b>Total Time For Thermal Management Temperature 2:</b> Contains the number of seconds that the controller had transitioned to lower power active power states or performed vendor specific thermal management actions regardless of the impact on performance (e.g., heavy throttling) in order to attempt to reduce the Composite Temperature because of the host controlled thermal management feature (refer to section 8.4.5). This counter shall not wrap once it reaches its maximum value. A value of zero, indicates that this transition has never occurred or this field is not implemented.
511:232	<b>Reserved</b>

The innodisk E1.S series thermal sensor take ambient air temperature as a reference with any airflow condition, and the data can refer to iSMART.

Notes: More detailed health info has been defined by innodisk and will be shown on iSMART V5.3.21 (or later version).

# 6. Part Number Rule

CODE	1	2	3	4	5	6	7	8	9	10	11	12	13	14	15	16	17	18	19	20	21	22
	D	S	E	1	S	-	4	0	0	D	P	2	K	C	A	E	F	P	H	1	-	X
<b>Definition</b>																						
<b>Code 1<sup>st</sup> (Disk)</b>											<b>Code 14<sup>th</sup> (Operation Temperature)</b>											
D : Disk											C: Standard Grade (0°C ~ +70°C)											
<b>Code 2<sup>nd</sup> (Feature set)</b>											<b>Code 15<sup>th</sup> (Internal control)</b>											
S : Edge Server Series											W: Industrial Grade(-40°C ~ +85°C)											
<b>Code 3<sup>rd</sup> ~5<sup>th</sup> (Form factor)</b>											<b>Code 16<sup>th</sup> (Channel of data transfer)</b>											
E1S: EDSFF 1U Short (E1.S)											A~Z: BGA PCB version.											
<b>Code 7<sup>th</sup> ~9<sup>th</sup> (Capacity)</b>											<b>Code 17<sup>th</sup> (Flash Type)</b>											
400:400GB			800:800GB			1T6:1.6TB					E: Eight Channels											
3T2:3.2TB																						
<b>Code 10<sup>th</sup> ~12<sup>th</sup> (Controller)</b>											<b>Code 18<sup>th</sup></b>											
DP2: PCIe 4TS2-P series with AES											F: Kioxia 3D TLC											
<b>Code 13<sup>th</sup> (Flash mode)</b>											<b>Code 19<sup>th</sup>~20<sup>th</sup> (Enclosure)</b>											
K: 3D TLC 112 layers											P : PLP (iCell) feature											
											Non-existent: 5.9mm											
											H: 9.5mm heatsink accessory											
											H1: 15mm heatsink accessory											
											<b>Code 22<sup>th</sup> ~ (Customize code)</b>											