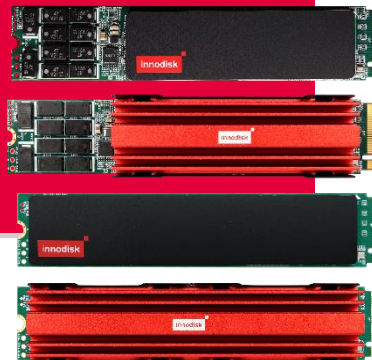


Datasheet

# M.2 (P110) 4TG2-P series

- PCIe Gen. 4x4, NVMe 1.4
- Excellent data transfer speed
- Stable sustained performance
- Heat-spreading design
- LDPC ECC engine supported.
- Thermal Throttling management



## Introduction

Innodisk M.2 (P110) 4TG2-P is an NVM Express SSD designed as the standard M.2 form factor with PCIe interface and 3D TLC NAND Flash. M.2 (P110) 4TG2-P supports PCIe Gen. 4x4, and it is compliant with NVMe 1.4 providing excellent performance. M.2 (P110) 4TG2-P with heat-spreading design dissipate heat generating from IC making SSD perform more steady. M.2 (P110) 4TG2-P has Die RAID protection to reduce bad blocks happening and optimize data integrity.

Innodisk M.2 (P110) 4TG2-P provides ultra-speed and high IOPS and offers maximum capacity up to 8TB, making the SSD optimal for server and heavy data workload applications.

# M.2 (P110) 4TG2-P series

Contact us for more information about the M.2 (P110) 4TG2-P.

Innodisk is a service-driven provider of industrial embedded flash and DRAM storage products and technologies, with a focus on the cloud computing, industrial/embedded, and aerospace and defense industries.

## Headquarters (Taiwan)

5F., No. 237, Sec. 1, Datong Rd., Xizhi Dist., New Taipei City 221, Taiwan  
Tel: +886-2-7703-3000  
Email: sales@innodisk.com

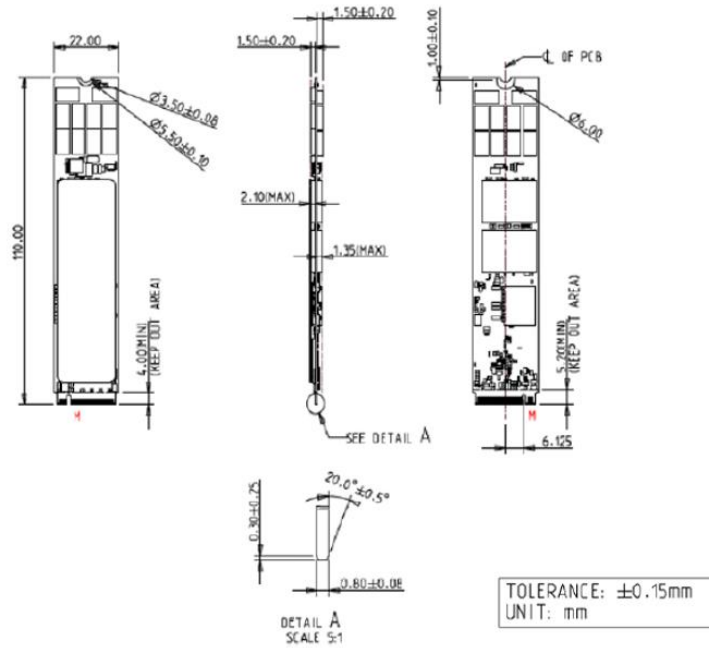
## Branch Offices:

USA  
[usasales@innodisk.com](mailto:usasales@innodisk.com)  
+1-510-770-9421  
Europe  
[eusales@innodisk.com](mailto:eusales@innodisk.com)  
+31-40-3045-400  
Japan  
[jpsales@innodisk.com](mailto:jpsales@innodisk.com)  
+81-3-6667-0161  
China  
[sales\\_cn@innodisk.com](mailto:sales_cn@innodisk.com)  
+86-755-21673689  
[www.innodisk.com](http://www.innodisk.com)

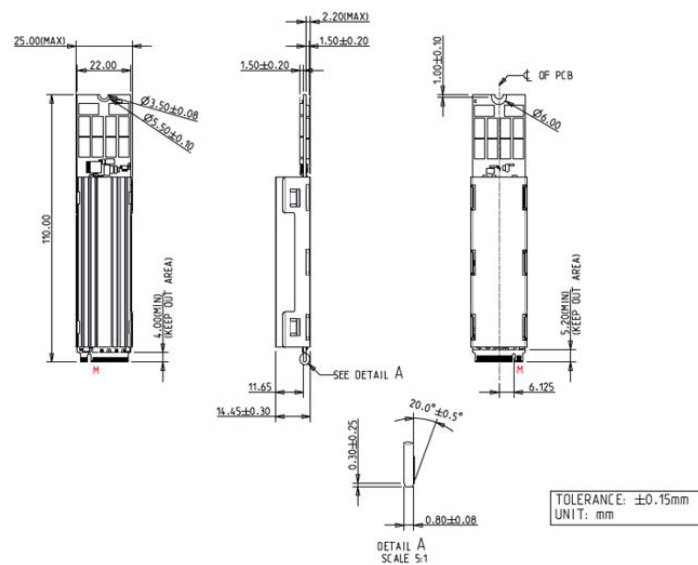
© 2024 Innodisk Corporation.  
All right reserved. Specifications are subject to change without prior notice.

20240625

## Diagram ST (512GB-4TB)



## Diagram WT (512GB-4TB)



## Diagram ST (8TB)

Contact us for more information about the M.2 (P110) 4TG2-P.

Innodisk is a service-driven provider of industrial embedded flash and DRAM storage products and technologies, with a focus on the cloud computing, industrial/embedded, and aerospace and defense industries.

### Headquarters (Taiwan)

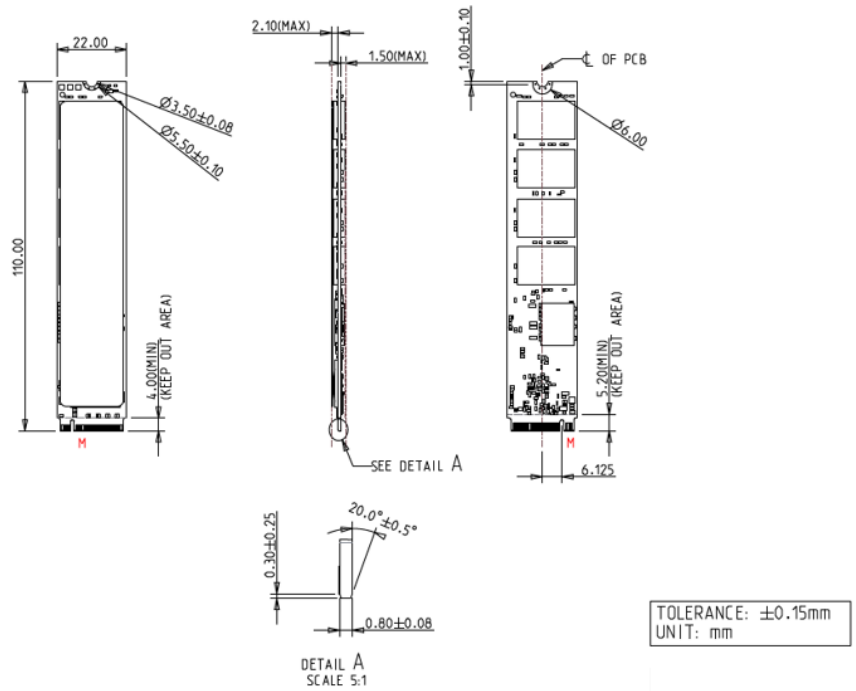
5F., No. 237, Sec. 1, Datong Rd., Xizhi Dist., New Taipei City 221, Taiwan  
Tel: +886-2-7703-3000  
Email: sales@innodisk.com

### Branch Offices:

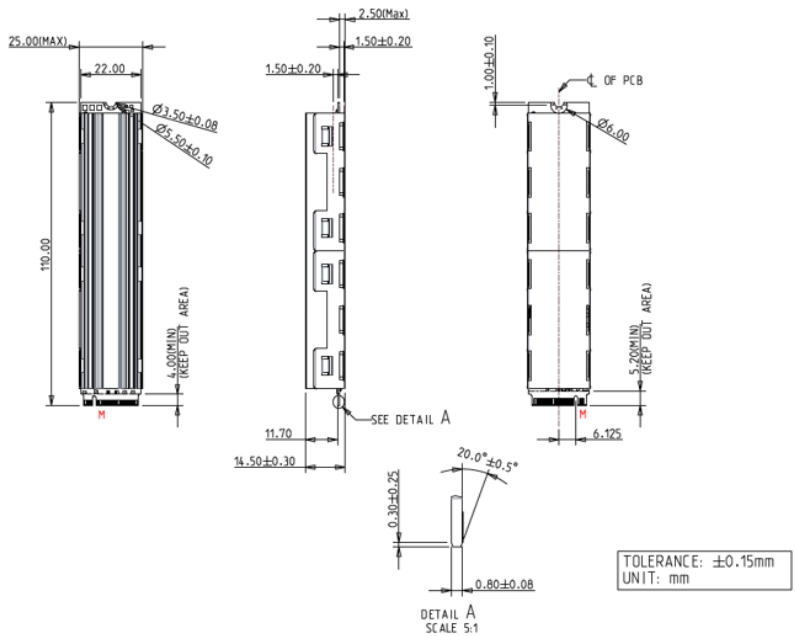
USA  
[usasales@innodisk.com](mailto:usasales@innodisk.com)  
+1-510-770-9421  
Europe  
[eusales@innodisk.com](mailto:eusales@innodisk.com)  
+31-40-3045-400  
Japan  
[jpsales@innodisk.com](mailto:jpsales@innodisk.com)  
+81-3-6667-0161  
China  
[sales\\_cn@innodisk.com](mailto:sales_cn@innodisk.com)  
+86-755-21673689  
[www.innodisk.com](http://www.innodisk.com)

© 2024 Innodisk Corporation.  
All right reserved. Specifications are subject to change without prior notice.

220240808



## Diagram WT (8TB)



# Specifications

**Contact us for more information about the M.2 (P110) 4TG2-P.**

Innodisk is a service-driven provider of industrial embedded flash and DRAM storage products and technologies, with a focus on the cloud computing, industrial/embedded, and aerospace and defense industries.

**Headquarters (Taiwan)**

5F., No. 237, Sec. 1, Datong Rd., Xizhi Dist., New Taipei City 221, Taiwan  
Tel: +886-2-7703-3000  
Email: sales@innodisk.com

**Branch Offices:**

USA  
[usasales@innodisk.com](mailto:usasales@innodisk.com)  
+1-510-770-9421  
Europe  
[eusales@innodisk.com](mailto:eusales@innodisk.com)  
+31-40-3045-400  
Japan  
[jpsales@innodisk.com](mailto:jpsales@innodisk.com)  
+81-3-6667-0161  
China  
[sales\\_cn@innodisk.com](mailto:sales_cn@innodisk.com)  
+86-755-21673689  
[www.innodisk.com](http://www.innodisk.com)

© 2024 Innodisk Corporation.  
All right reserved. Specifications are subject to change without prior notice.

20240808

Interface	PCIe Gen. 4x4
Flash Type	3D TLC
P/E cycle	3,000
Capacity	512GB~8TB
Max. Channels	8
Sequential R/W (MB/sec, max.)	6,950/4,700
Max. Power Consumption	10.2W
Thermal Sensor	√
External DRAM buffer	√
H/W Write Protect	NA
Dimension (WxLxH)	ST with heat-spreading copper layer: 22.0 X 110.0 X 3.3 mm WT with heatsink: 25 X 110.0 X 14.45 mm (Pure M.2: 22.0 X 110.0 X 2.87 mm)
Environment	Vibration: 20G @7~2000Hz Shock: 1500G @ 0.5ms Storage Temperature: -40°C ~ +85°C MTBF: 3 million hours

## Ordering Information

Operation Temp.	512GB	1TB	2TB	4TB	8TB
Standard Grade (0°C ~ +70°C)	DGM21- C12DP1KCBEPF DGM21- C12DP2KCBEPF	DGM21- 01TDP1KCBEPF DGM21- 01TDP2KCBEPF	DGM21- 02TDP1KCBEPF DGM21- 02TDP2KCBEPF	DGM21- 04TDP1KCBEPF DGM21- 04TDP2KCBEPF	DGM21- 08TDP1KCEFH DGM21- 08TDP2KCEFH
Industrial Grade (-40°C ~ +85°C)	DGM21- C12DP1KWBEFPH DGM21- C12DP2KWBEFPH	DGM21- 01TDP1KWBEFPH DGM21- 01TDP2KWBEFPH	DGM21- 02TDP1KWBEFPH DGM21- 02TDP2KWBEFPH	DGM21- 04TDP1KWBEFPH DGM21- 04TDP2KWBEFPH	DGM21- 08TDP1KWCEFH DGM21- 08TDP2KWCEFH

For TCG OPAL function, the PN Code 10<sup>th</sup>~12<sup>th</sup> will be DP2.

