



User Manual

DS-082

Ultra Slim Digital Signage Player

ADVANTECH

Enabling an Intelligent Planet

Copyright

The documentation and the software included with this product are copyrighted 2019 by Advantech Co., Ltd. All rights are reserved. Advantech Co., Ltd. also reserves the right to improve the products described in this manual at any time without notice. No part of this manual may be reproduced, copied, translated, or transmitted in any form or by any means without the prior written permission of Advantech Co., Ltd. Information provided in this manual is intended to be accurate and reliable. However, Advantech Co., Ltd. assumes no responsibility for its use, nor for any infringements on the rights of third parties that may result from its use.

Acknowledgements

Award is a trademark of Award Software International, Inc.

IBM, PC/AT, PS/2 and VGA are trademarks of International Business Machines Corporation.

Intel® and ATOM® are trademarks of Intel Corporation.

RTL is a trademark of Realtek Semi-Conductor Co., Ltd..

ESS is a trademark of ESS Technology, Inc.

UMC is a trademark of United Microelectronics Corporation.

SMI is a trademark of Silicon Motion, Inc.

Creative is a trademark of Creative Technology LTD.

CHRONTEL is a trademark of Chrontel Inc.

All other product names or trademarks are properties of their respective owners.

For more information about this and other Advantech products, please visit our website at: <http://www.advantech.com/> For technical support and service, please visit our support website at: <http://support.advantech.com.tw/support/>

Product Warranty (2 years)

Advantech warrants the original purchaser that each of its products will be free from defects in materials and workmanship for two years from the date of purchase.

This warranty does not apply to any products that have been repaired or altered by persons other than repair personnel authorized by Advantech, or products that have been subject to misuse, abuse, accident, or improper installation. Advantech assumes no liability under the terms of this warranty as a consequence of such events.

Because of Advantech's high quality-control standards and rigorous testing, most customers never need to use our repair service. If an Advantech product is defective, it will be repaired or replaced at no charge during the warranty period. For out-of-warranty repairs, customers are billed according to the cost of replacement materials, service time, and freight. Please consult your dealer for more details.

If you suspect your product to be defective, follow the steps listed below:

1. Collect all information about the problem encountered (for example, CPU speed, Advantech products used, other hardware and software used, etc.). Note anything abnormal and list any onscreen messages displayed when the problem occurs.
2. Call your dealer and describe the problem. Please have the manual, product, and any relevant information readily available.
3. If your product is diagnosed as defective, obtain an RMA (return merchandise authorization) number from your dealer. This allows us to process your return more quickly.
4. Carefully pack the defective product, a completed Repair and Replacement Order Card, and proof of the purchase date (such as a photocopy of your sales receipt) in a shippable container. Products returned without proof of purchase date are not eligible for warranty service.
5. Write the RMA number clearly on the outside of the package; then ship the product prepaid to your dealer.

Declaration of Conformity

FCC Class B

Note: This equipment has been tested and found to comply with the limits for a Class B digital device, pursuant to part 15 of the FCC Rules.

These limits are designed to provide reasonable protection against harmful interference when the equipment is operated in a commercial environment. This equipment generates, uses, and can radiate radio frequency energy and, if not installed and used in accordance with the instruction manual, may cause harmful interference to radio communications. Operation of this equipment in a residential area is likely to cause harmful interference in which case the user will be required to correct the interference at his own expense.

Technical Support and Assistance

1. Visit the Advantech website at <http://support.advantech.com> for the latest product information.
2. Contact your distributor, sales representative, or Advantech's customer service center for technical support if you require additional assistance. Please have the following information ready before calling:
 - Product name and serial number
 - Description of your peripheral attachments
 - Description of your software (operating system, version, application software, etc.)
 - A complete description of the problem
 - The exact wording of any error messages

Warnings, Cautions, and Notes

Warning! *Warnings indicate conditions, which if not observed, can cause personal injury!*



Caution! *Cautions are included to help users avoid hardware damage and data losses.*



For example, “New batteries are at risk of exploding if incorrectly installed. Do not attempt to recharge, force open, or heat the battery. Replace the battery only with the same or equivalent type recommended by the manufacturer. Discard used batteries according to the manufacturer's instructions.”

Note! *Notes provide additional information.*



Packing List

Before installation, please ensure that the following items have been shipped:

- 1 x DS-082 series player
- 1 x Driver/Utility Disk
- 1 x China RoHS Sheet
- 1 x User manual
- 1 x Mounting kit
- 1x 19V power adapter

Safety Instructions

1. Read these safety instructions carefully.
2. Retain this user manual for future reference.
3. Disconnect this equipment from all AC outlets before cleaning. Do not use liquid or spray detergents for cleaning. Instead, use only a damp cloth.
4. For pluggable equipment, the power outlet socket should be located nearby and easily accessible.
5. Protect this equipment from humidity.
6. Place this equipment on a reliable surface during installation. Dropping or letting the equipment fall can cause damage.
7. The openings on the enclosure are for air convection to protect the equipment from overheating. Do not cover the openings.
8. Ensure that power voltage is correct before connecting the equipment to a power outlet.
9. Position the power cord so that people cannot step on it. Do not place anything over the power cord.
10. All cautions and warnings on the equipment should be noted.
11. If not used for a long time, disconnect the equipment from the power source to avoid damage by transient overvoltage.
12. Never pour liquid into the openings. This can cause fire or electrical shock.
13. Never open the equipment. For safety reasons, the equipment should only be opened by qualified service personnel.
14. If one of the following occurs, have the equipment checked by authorized service personnel:
 - The power cord or plug is damaged.
 - Liquid has penetrated the equipment.
 - The equipment has been exposed to moisture.
 - The equipment is malfunctioning, or does not operate according to the user manual.
 - The equipment has been dropped or damaged.
 - The equipment shows obvious signs of breakage.
15. Do not store this equipment in an environment where the temperature fluctuates below $-20\text{ }^{\circ}\text{C}$ ($-4\text{ }^{\circ}\text{F}$) or above $60\text{ }^{\circ}\text{C}$ ($140\text{ }^{\circ}\text{F}$) as this can cause damage. The equipment should be stored in a controlled environment.
16. **CAUTION:** Batteries are at risk of exploding if incorrectly installed. Replace only with the same or equivalent type recommended by the manufacturer. Discard used batteries according to the manufacturer's instructions.
17. The sound pressure level at the operator's position according to IEC 704-1:1982 is no more than 70 dB (A).
18. **RESTRICTED ACCESS AREA:** The equipment should only be installed in a Restricted Access Area.
19. **DISCLAIMER:** These instructions are provided according to IEC 704-1. Advantech disclaims all responsibility for the accuracy of all statements contained herein.

DS-082 Series Part Number

DS-082GB-T4A1E	DS-082GB-U0A1E	DS-082GBF-U0A1E	DS-082GB-U6A1E	DS-082GBF-U6A1E
DS082GB1901-T	DS082GB1902-T	DS082GB1903-T	DS082GB1904-T	DS082GB1905-T
DS082GB1906-T	DS082GB1907-T	DS082GB1908-T	DS082GB1909-T	DS082GB1910-T
DS082GB2001-T	DS082GB2002-T	DS082GB2003-T	DS082GB2004-T	DS082GB2005-T
DS082GB2006-T	DS082GB2007-T	DS082GB2008-T	DS082GB2009-T	DS082GB2010-T
DS082GB2101-T	DS082GB2102-T	DS082GB2103-T	DS082GB2104-T	DS082GB2105-T
DS082GB2106-T	DS082GB2107-T	DS082GB2108-T	DS082GB2109-T	DS082GB2110-T
DS082GB2201-T	DS082GB2202-T	DS082GB2203-T	DS082GB2204-T	DS082GB2205-T
DS082GB2206-T	DS082GB2207-T	DS082GB2208-T	DS082GB2209-T	DS082GB2210-T
DS082GB2301-T	DS082GB2302-T	DS082GB2303-T	DS082GB2304-T	DS082GB2305-T
DS082GB2306-T	DS082GB2307-T	DS082GB2308-T	DS082GB2309-T	DS082GB2310-T
DS082GB2401-T	DS082GB2402-T	DS082GB2403-T	DS082GB2404-T	DS082GB2405-T
DS082GB2406-T	DS082GB2407-T	DS082GB2408-T	DS082GB2409-T	DS082GB2410-T

Contents

Chapter 1 General Introduction1

1.1	Introduction	2
1.2	Product Features.....	2
	1.2.1 General	2
	1.2.2 Display	2
	1.2.3 Thermal Solution.....	2
1.3	Hardware Specifications	3
1.4	Mechanical Specification.....	4
	1.4.1 Dimension.....	4
	Figure 1.1 Dimensions.....	4
	1.4.2 Weight.....	4
1.5	Power Requirements.....	5
	1.5.1 System Power:.....	5
	1.5.2 RTC Battery:	5
1.6	Environmental Specifications	5
	1.6.1 Operating Temperature.....	5
	1.6.2 Relative Humidity	5
	1.6.3 Storage Temperature.....	5
	1.6.4 Vibration Loading During Operation (HDD)	5
	1.6.5 Shock During Vibration	5
	1.6.6 Safety.....	5
	1.6.7 EMC.....	5

Chapter 2 Hardware Installation7

2.1	DS-082 Series I/O Connectors.....	8
	Figure 2.1 Front View	8
	Figure 2.2 Rear View	8
2.2	DS-082 Series External I/O Connectors	8
	2.2.1 Power ON/OFF Button.....	8
	Figure 2.3 Power Button	8
	2.2.2 DC Input Connector	8
	Figure 2.4 DC Input Connector.....	8
	2.2.3 LAN Connector	9
	Figure 2.5 LAN Connector	9
	2.2.4 HDMI Connector	10
	Figure 2.6 HDMI Connector	10
	2.2.5 USB Connectors	11
	Figure 2.7 USB Connector.....	11
	2.2.6 COM Connector.....	11
	Figure 2.8 COM Connector.....	11
	2.2.7 Audio Connectors	12
	Figure 2.9 Audio Connector.....	12
2.3	Hardware Installation	12
	2.3.1 Storage Installation (M.2 2242).....	12
	Figure 2.10M.2 Storage Installation.....	12
	2.3.2 M.2 2230 Module/Memory Module Installation	13
	Figure 2.11M.2 2230 Module / Memory Module Installation.....	13
	2.3.3 Mounting Bracket Installation.....	14
	Figure 2.12Mounting Bracket Installation	14
	2.3.4 Mounting Direction	14
	Figure 2.13Mounting Direction.....	14

Chapter 1

General Introduction

This chapter gives background information on the DS-082 series.

1.1 Introduction

DS-082 series is powered by AMD Ryzen V1000 & R1000 processors for 4K video playback performance. DS-082 series is a media player that delivers advanced graphics performance for all your signage applications. DS-082 series has 3/4 HDMI to provide multi display outputs simultaneously. For better connectivity, it supports 1x LAN, internal 1 x M.2 2230 interface for add-on functions such as wireless network/Bluetooth fulfill different requirements. It also supports 4x USB (2.0x2, 3.0x2), 1xCOM ports for system integration and applications.

1.2 Product Features

1.2.1 General

- Supports AMD Ryzen V1807B/V1605B/R1606G processors
- Supports 3/4 x HDMI, 1 x GbE, 4 x USB, 1 x COM (RS-232)
- Supports M.2 2242 M Key for storage
- Built-in M.2 2230 E Key slot for easy expansion
- Ultra Slim Features, easy to install. Easy integration and easy maintenance

1.2.2 Display

- HDMI 2.0 x 4 @3840x2160@60Hz (DS-082GB-T4A1E / DS-082GB-U0A1E / DS-082GBF-U0A1E)
- HDMI 2.0 x 3 @3840x2160@60Hz (DS-082GB-U6A1E / DS-082GBF-U6A1E)

1.2.3 Thermal Solution

- Active Blower
(DS-082GB-T4A1E / DS-082GB-U0A1E / DS-082GB-U6A1E)
- Fanless
(DS-082GBF-U0A1E / DS-082GBF-U6A1E)

1.3 Hardware Specifications

- **CPU:** AMD V1807B/V1605B/R1606G
- **System Chipset:** Integrated in SOC
- **Graphic chipset:** Integrated graphics built in Processor
- **BIOS** AMI uEFI 128 Mbit
- **System Memory:** 2 x 260pin DDR4 SODIMM, Up to 16GB single DIMM
- **Storage:** M.2 2242 M Key
- **Watchdog Timer:** supported by Advantech SUSIAccess
- **IO Interfaces**
 - 1 x RS-232
 - 3/4 x HDMI
 - 4 x USB (2.0 x 2, 3.0 x 2)
 - 1 x (SPDIF/Line-out/ Mic-in), support Jack Sense
- **Ethernet Chipset:** 1 x RTL8111G
 - Speed: 100/1000 Mbps
 - Interface: 1 x RJ-45 jacks with LED
 - Standard: IEEE 802.3z/ab (1000 Base-T), IEEE 802.3u 100 Base-T compliant
- **Resolution**
 - 3840 x 2160 @ 60Hz
- **Expansion**
 - M.2 2230 E Key x 1

1.4 Mechanical Specification

1.4.1 Dimension

180 x 190 x 19mm (L x W x H)

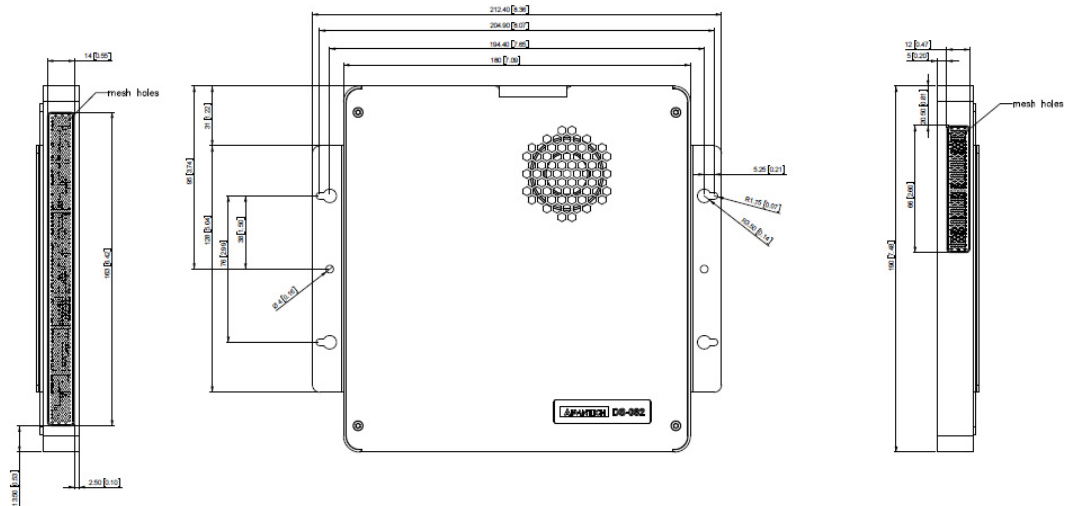


Figure 1.1 Dimensions

1.4.2 Weight

0.87 kg (1.92 lbs)

1.5 Power Requirements

1.5.1 System Power:

Minimum power input: DC19V, 3.42A (DS-082GB-U0A1E/ DS-082GBF-U0A1E/ DS-082GB-U6A1E/ DS-082GBF-U6A1E)

Minimum power input: DC19V, 4.74A (DS-082GB-T4A1E)

1.5.2 RTC Battery:

BATTERY 3V 195mAH BR2032

1.6 Environmental Specifications

1.6.1 Operating Temperature

0° C - 40° C (32~122°F) with 0.7 m/s airflow

1.6.2 Relative Humidity

95% @ 40° C (Non Condensing)

1.6.3 Storage Temperature

-20 ~ 60° C (-4~140°F)

1.6.4 Vibration Loading During Operation (HDD)

0.5 Grms, IEC 60068-2-64, random, 5 ~ 500 Hz, 1 hr/axis.

1.6.5 Shock During Vibration

20 G, IEC 60068-2-27, half sine, 11 ms duration

1.6.6 Safety

UL, BSMI, CCC

1.6.7 EMC

CE, FCC Class B, BSMI, CCC

Chapter 2

Hardware Installation

This chapter introduces external I/O and the installation of DS-082 series hardware.

2.1 DS-082 Series I/O Connectors

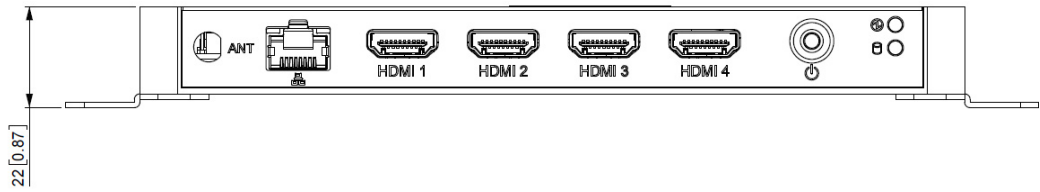


Figure 2.1 Front View

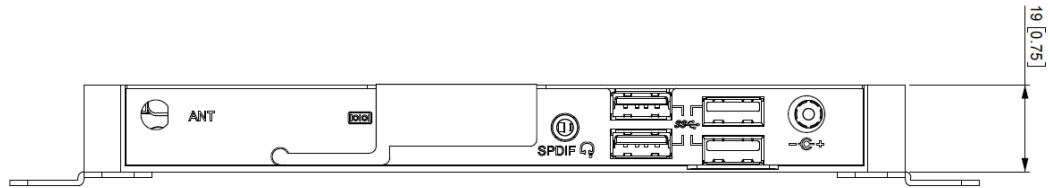


Figure 2.2 Rear View

2.2 DS-082 Series External I/O Connectors

2.2.1 Power ON/OFF Button

DS-082 Series has a power ON/OFF button on the front side. Push this button to turn the system ON and OFF. It also supports a 5 second delay soft power off.

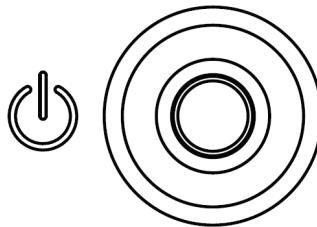


Figure 2.3 Power Button

2.2.2 DC Input Connector

DS-082 Series supports 19VDC DC power in.

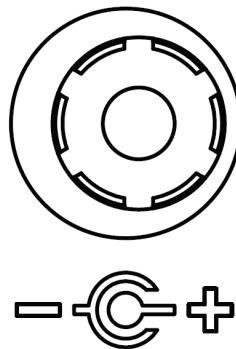


Figure 2.4 DC Input Connector

2.2.3 LAN Connector

DS-082 Series provides one RJ-45 LAN interface connector, fully compliant with IEEE802.3u 10/100/1000 Base-T CSMA/CD standards. The Ethernet port provides a standard RJ-45 jack connector with LED indicators to show its Active/Link status and speed status.

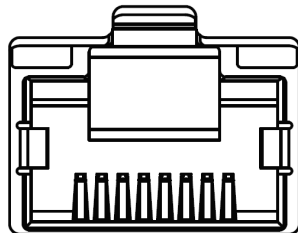


Figure 2.5 LAN Connector

LAN Port Pin Assignments

Pin	Signal
1	MDI0+
2	MDI0-
3	MDI1+
4	MDI1-
5	GND
6	GND
7	MDI2+
8	MDI2-
9	MDI3+
10	MDI3-
11	VCC
12	ACT
13	+V3.3 & Link1000#
14	+V3.3 & Link100#

2.2.4 HDMI Connector

The HDMI (High-Definition Multimedia Interface) provides an all-digital audio/video interface to transmit the uncompressed audio/video signals and is HDCP compliant. Connect the HDMI audio/video device to this port. HDMI technology can support a maximum resolution of 3840 x 2160 @ 60 Hz but the actual resolution supported depends on the monitor being used.

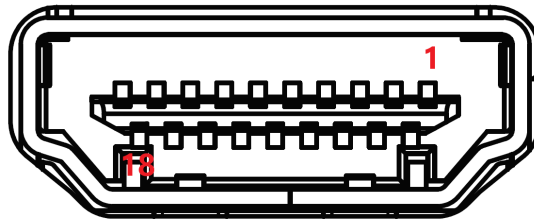


Figure 2.6 HDMI Connector

HDMI Pin Assignments

Pin	Signal
1	TMDS Data 2+
2	TMDS Data 2 shield
3	TMDS Data 2-
4	TMDS Data 1+
5	TMDS Data 1 shield
6	TMDS Data 1-
7	TMDS Data 0+
8	TMDS Data 0 shield
9	TTMDS Data 0-
10	TMDS Clock+
11	TMDS Clock shield
12	TMDS Clock-
13	CEC
14	Reserved
15	SCL
16	SDA
17	DDC/CEC Ground
18	+5V
19	Hot Plug Detect

2.2.5 USB Connectors

DS-082 Series provides four USB interface connectors, which gives complete Plug & Play and hot swapping capability for up to 127 external devices. The USB interface is compliant with USB UHCI, Rev. 3.0/2.0. The USB interface supports Plug and Play, which enables you to connect or disconnect a device without turning off the system.

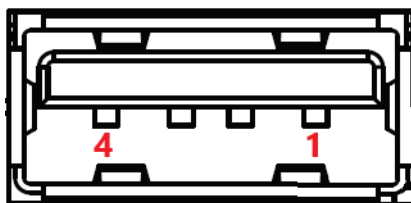


Figure 2.7 USB Connector

USB Port Pin Assignments

Pin	Signal
1	VCC
2	USB Data-
3	USB Data+
4	GND

2.2.6 COM Connector

DS-082 Series provides one D-sub 9-pin connectors serial communication interface port. The ports support RS-232 communications.

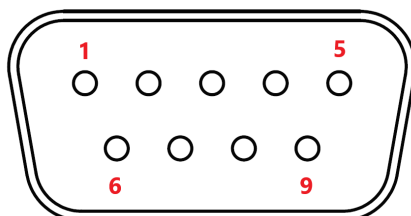


Figure 2.8 COM Connector

COM Port Pin Assignments

Pin	Signal
1	DCD
2	RxD
3	TxD
4	DTR
5	GND
6	DSR
7	RTS
8	CTS
9	RI

2.2.7 Audio Connectors

DS-082 Series S/PDIF can be connected to Stereo speakers, earphone or surround speakers.



Figure 2.9 Audio Connector

2.3 Hardware Installation

2.3.1 Storage Installation (M.2 2242)

1. Remove the top cover by loosening the fixing screws
2. Install M.2 2242 module and fix screw

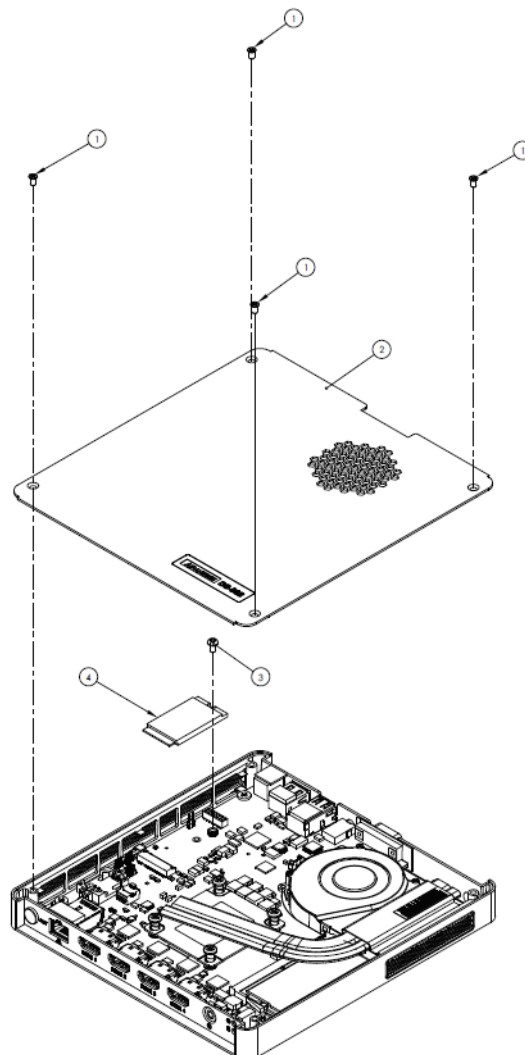


Figure 2.10 M.2 Storage Installation

2.3.2 M.2 2230 Module/Memory Module Installation

1. Remove the bottom cover by loosening the fixing screws and then insert M.2 2230 Module and Memory Module into the socket.

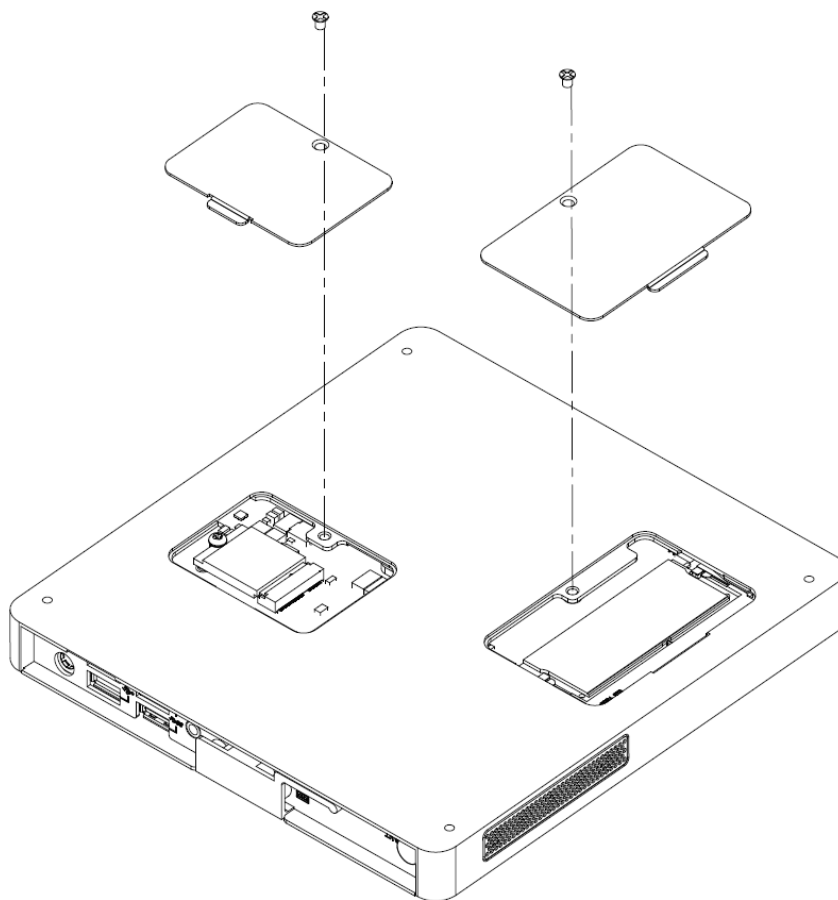


Figure 2.11 M.2 2230 Module / Memory Module Installation

2.3.3 Mounting Bracket Installation

1. Find 4 pcs of M3 screws to affix the mounting brackets on system bottom. (The screws and mounting brackets are both included in the system accessory box)

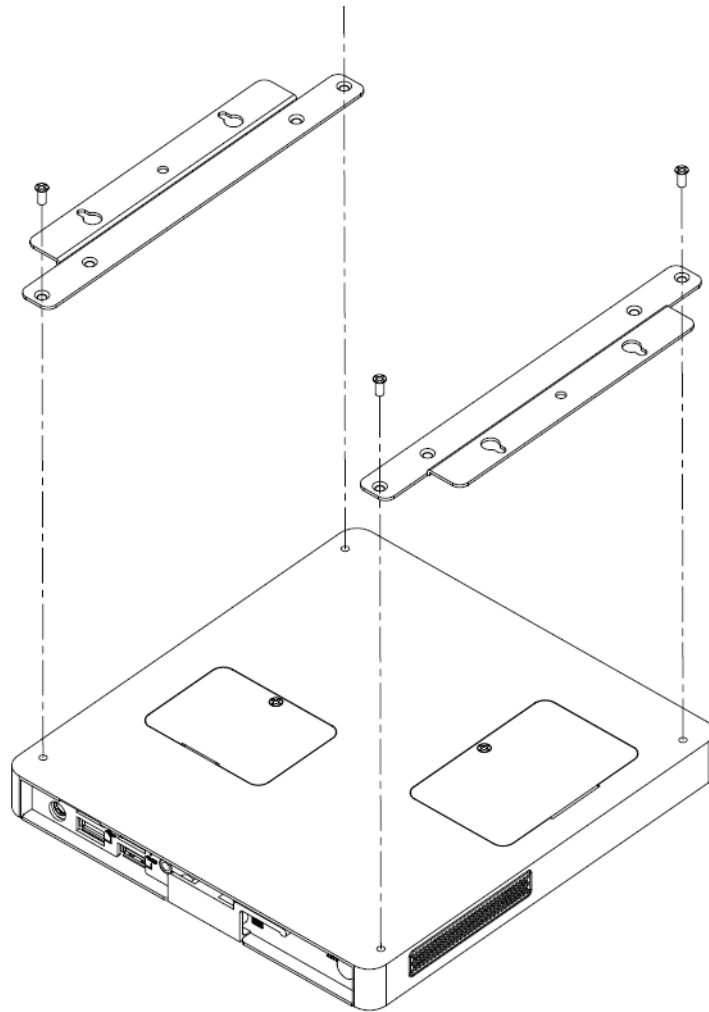


Figure 2.12 Mounting Bracket Installation

2.3.4 Mounting Direction

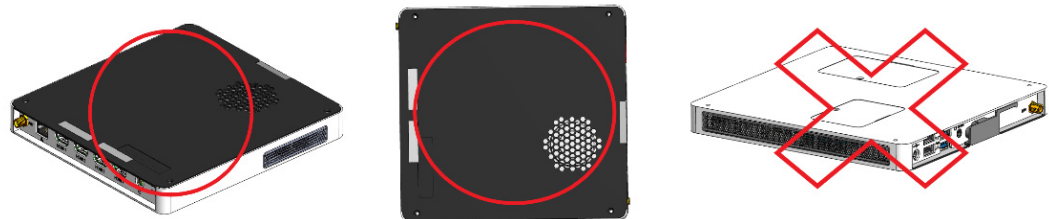


Figure 2.13 Mounting Direction

ADVANTECH

Enabling an Intelligent Planet

www.advantech.com

Please verify specifications before quoting. This guide is intended for reference purposes only.

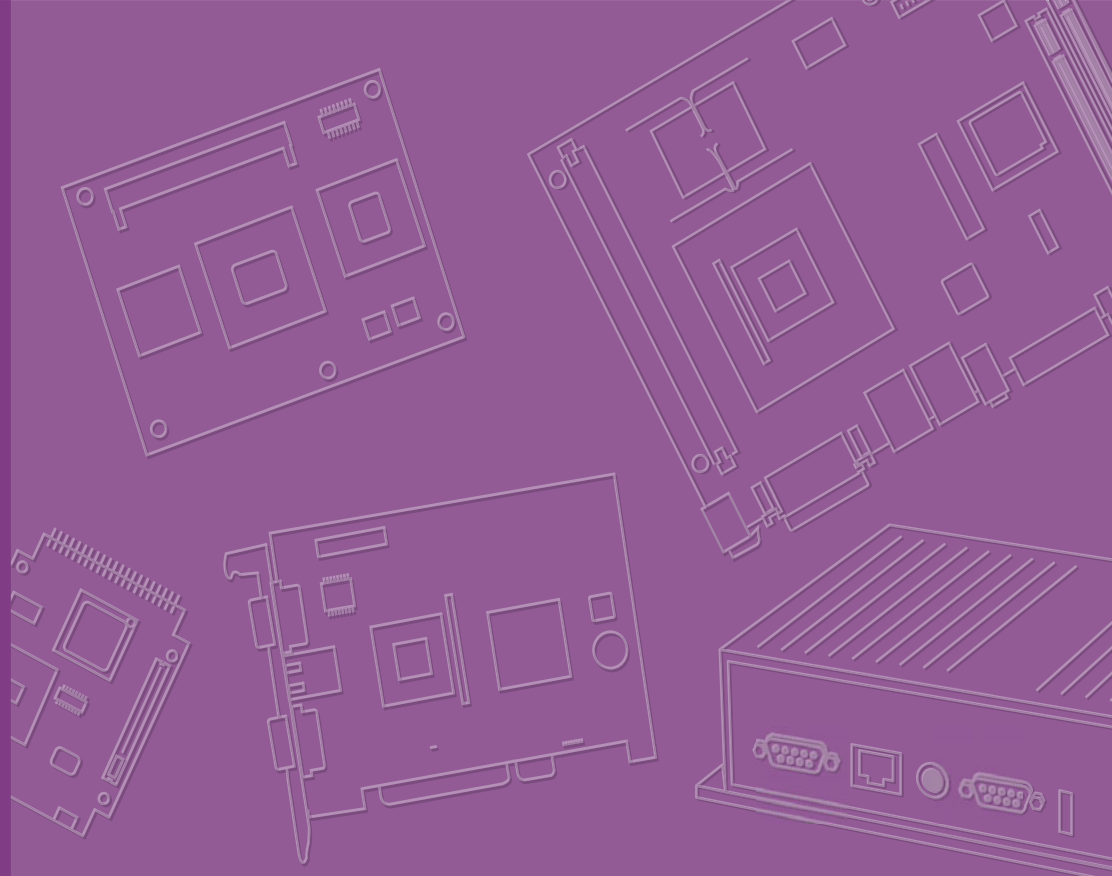
All product specifications are subject to change without notice.

No part of this publication may be reproduced in any form or by any means, such as electronically, by photocopying, recording, or otherwise, without the prior written permission of the publisher.

All brand and product names are trademarks or registered trademarks of their respective companies.

© Advantech Co., Ltd. 2019

用户手册



DS-082

计算机

ADVANTECH

Enabling an Intelligent Planet

版权声明

随附本产品发行的文件为研华公司 2019 年版权所有，并保留相关权利。针对本手册中相关产品的说明，研华公司保留随时变更的权利，恕不另行通知。未经研华公司书面许可，本手册所有内容不得通过任何途径以任何形式复制、翻印、翻译或者传输。本手册以提供正确、可靠的信息为出发点。但是研华公司对于本手册的使用结果，或者因使用本手册而导致其他第三方的权益受损，概不负责。

认可声明

IBM, PC/AT, PS/2 和 VGA 为 International Business Machines Corporation 的商标

Intel® 和 ATOM® 为 Intel 的商标

ESS 为 ESS Technology, Inc. 的商标

UMC 为 United Microelectronics Corporation 的商标

SMI 为 Silicon Motion, Inc. 的商标

Creative 为 Creative Technology LTD. 的商标

CHRONTEL 为 Chrontel Inc. 的商标

所有其他产品或商标均为各自所属方的财产

技术支持

如需本产品或研华其他产品更多的信息，请参考研华网站：<http://www.advantech.com>

如需技术支持与其他服务，请至研华服务网站：<http://support.advantech.com.tw/support>

产品质量保证（两年）

从购买之日起，研华为原购买商提供两年的产品保固。但对那些未经授权的维修、人员维修过的产品不予提供保固服务。研华对于不正确地使用、灾难、错误安装而产生的问题有免责权利。

如果研华产品出现故障，在保固期间内我们提供免费维修或更换服务。对于已过保固期限之产品，我们将酌情收取材料费、人工服务费用。请联系相关业务人员了解详细情况。

如果您认为您购买的产品出现了故障，请遵循以下步骤：

1. 收集您所遇到的问题信息（如：CPU 频率、使用的研华产品及其他软件、硬件等）。请注意屏幕上出现的任何不正常讯息显示。
2. 打电话给您的供货商，描述故障问题。请提供手册、产品和任何有帮助的信息。
3. 如果您的产品被诊断发生故障，请从您的供货商获得 RMA (Return Material Authorization) 序号。这可以让我们尽快地进行故障产品的回收。
4. 请仔细地包装故障产品，并在包装中附上完整的售后服务卡片和购买日期证明（如销售发票）。我们对无法提供购买日期证明的产品不提供保固服务。
5. 把相关 RMA 序号写在外包装上，并将其运送给销售人员。

符合性声明

FCC B 级

根据 FCC 规则第 15 条，本设备已经过检测并被判定符合 B 级数字设备标准。这些限制旨在为居住环境下的系统操作提供合理保护，使其免受有害干扰。本设备会产生、使用和发射调频能量，如果没有按照手册说明正确安装和使用，可能对无线电通讯造成有害干扰。但即使按照手册说明进行安装和使用，也并不能保证不会产生干扰。若本设备会对无线电或电视信号接收产生有害干扰，用户可透过开关设备进行确认。当本设备产生有害干扰时，用户可采取下面的措施来解决干扰问题：

- 调整接收天线的方向或位置
- 增大本设备与接受器之间的距离
- 将本设备的电源接头插在与接受器不同电路的电源插座
- 若需要技术支持，请洽经销商或经验丰富的无线电 / 电视技术人员

技术支持与服务

1. 有关该产品的最新资讯，请访问研华公司网站：<http://support.advantech.com.tw>
2. 用户若需技术支持，请与当地经销商、业务代表、或研华客服中心联系。进行技术咨询前，用户需完整提供下列各项产品信息：
 - 产品名称及序号
 - 附加设备描述
 - 用户软件描述（操作系统、版本、应用软件等）
 - 产品所出现问题的完整描述

警告与注意

警告! 在操作过程中，用户须特别注意该手册中的警告讯息，以免造成人身伤害。



注意! 该手册中的注意讯息可帮助用户避免损坏硬件或丢失数据，例如：如果电池放置不正确，将有爆炸的危险。因此，只可以使用制造商推荐的同一种或者同等型号的电池进行替换。请按照制造商的指示处理旧电池。



注! 此项提供其它额外信息。



安全指示

1. 请仔细阅读此安全操作说明。
2. 请妥善保存此用户手册供日后参考。
3. 用湿抹布清洗设备前，请从插座拔下电源线。请不要使用液体或去污喷雾剂清洗设备。
4. 对于使用电源线的设备，设备周围必须有容易接触到的电源插座。
5. 请不要在潮湿环境中使用设备。
6. 请在安装前确保设备放置在可靠的平面上，意外跌落可能会导致设备损坏。
7. 设备外壳的开口是用于空气对流，从而防止设备过热。请不要覆盖这些开口。
8. 当您连接设备到电源插座上前，请确认电源插座的电压是否符合要求。
9. 请将电源线布置在人们不易绊到的位置，并不要在电源线覆盖任何杂物。
10. 请注意设备上的所有警告和注意标语。
11. 如果长时间不使用设备，请将其同电源插座断开，避免设备被超目标电压波动损坏。
12. 请不要让任何液体流入通风口，以免引起火灾或者短路。
13. 请不要自行打开设备。为了确保您的安全，请由经过认证的工程师来打开设备。
14. 如遇下列情况，请由专业人员来维修：
 - 电源线或者插头损坏；
 - 备内部有液体流入；
 - 设备曾暴露在过于潮湿的环境中使用；
 - 备无法正常工作，或您无法通过用户手册来使其正常工作；设备跌落或者损坏；
 - 设备有明显的外观破损。
15. 请勿将设备放置在超出建议温度范围的环境，即不要低于 -20°C (-4°F) 或高于 60°C (140°F)，否则可能会造成设备损坏。
16. 注意：计算机配置了由电池供电的实时时钟电路，若电池更换不正确，将有爆炸危险。因此，只可以使用制造商推荐的同一种或者同等型号的电池进行替换。请按照制造商的指示处理旧电池。
17. 根据 IEC 704-1:1982 规定，操作员所在位置音量不可高于 70 分贝。
18. **限制区域：**请勿将设备安装于限制区域使用。
19. **免责声明：**该安全指示符合 IEC 704-1 要求。研华公司对其内容之准确性不承担任何法律责任。

包装清单

安装系统之前，用户需确认包装中含有本设备以及下面所列各项，并确认设备完好。若有任何不符，请立即与经销商联系。

- 1 x DS-082
- 1 x 软件光盘
- 1 x China RoHS 声明
- 1 x 说明书
- 1 x 安装支架
- 1 x 电源适配器

DS-082 系列型号

DS-082GB-T4A1E	DS-082GB-U0A1E	DS-082GBF-U0A1E	DS-082GB-U6A1E	DS-082GBF-U6A1E
DS082GB1901-T	DS082GB1902-T	DS082GB1903-T	DS082GB1904-T	DS082GB1905-T
DS082GB1906-T	DS082GB1907-T	DS082GB1908-T	DS082GB1909-T	DS082GB1910-T
DS082GB2001-T	DS082GB2002-T	DS082GB2003-T	DS082GB2004-T	DS082GB2005-T
DS082GB2006-T	DS082GB2007-T	DS082GB2008-T	DS082GB2009-T	DS082GB2010-T
DS082GB2101-T	DS082GB2102-T	DS082GB2103-T	DS082GB2104-T	DS082GB2105-T
DS082GB2106-T	DS082GB2107-T	DS082GB2108-T	DS082GB2109-T	DS082GB2110-T
DS082GB2201-T	DS082GB2202-T	DS082GB2203-T	DS082GB2204-T	DS082GB2205-T
DS082GB2206-T	DS082GB2207-T	DS082GB2208-T	DS082GB2209-T	DS082GB2210-T
DS082GB2301-T	DS082GB2302-T	DS082GB2303-T	DS082GB2304-T	DS082GB2305-T
DS082GB2306-T	DS082GB2307-T	DS082GB2308-T	DS082GB2309-T	DS082GB2310-T
DS082GB2401-T	DS082GB2402-T	DS082GB2403-T	DS082GB2404-T	DS082GB2405-T
DS082GB2406-T	DS082GB2407-T	DS082GB2408-T	DS082GB2409-T	DS082GB2410-T

目录

第 1 章	概述	1
1.1	产品简介	2
1.2	产品性能	2
1.2.1	一般特性	2
1.2.2	显示	2
1.2.3	散热系统	2
1.3	硬件规格	3
1.4	机械规格	4
1.4.1	尺寸	4
	图 1.1: 机械尺寸	4
1.4.2	重量	4
1.5	电源要求	5
1.5.1	系统电源	5
1.5.2	RTC 电池	5
1.6	环境规格	5
1.6.1	工作温度	5
1.6.2	相对湿度	5
1.6.3	储存温度	5
1.6.4	工作时震动规格	5
1.6.5	工作时冲击规格	5
1.6.6	安规	5
1.6.7	EMC	5
第 2 章	硬件安装	7
2.1	前 / 后视图	8
	图 2.1: 前视图	8
	图 2.2: 后视图	8
2.2	外部 I/O	8
2.2.1	电源开关	8
	图 2.3: 电源开关	8
2.2.2	电源输入	8
	图 2.4: 电源输入	8
2.2.3	音频接口	9
	图 2.5: 音频接口	9
2.2.4	网络接口 (LAN)	9
	图 2.6: 网络接口 (LAN)	9
2.2.5	HDMI 界面	10
	图 2.7: HDMI 界面	10
2.2.6	USB 界面	11
	图 2.8: USB 界面	11
2.2.7	COM 界面	11
	图 2.9: COM 埠	11
2.3	硬件安装	12
2.3.1	安装储存装置	12
	图 2.10: 安装储存装置	12
2.3.2	安装 M.2 2230 和内存	13
	图 2.11: 安装 M.2 2230 和内存	13
2.3.3	安装壁挂支架	14
	图 2.12: 安装 M.2 2230 和内存	14
2.3.4	安装方向	14
	图 2.13: 安装方向	14
2.4	限用物质含有情况标示声明书	15

第 1 章

概述

本章介绍 DS-082 系列产品基本信息。

1.1 产品简介

DS-082 搭载 AMD Ryzen V1000/R1000 处理器，支持 HDMI 3/4 路独立显示输出，并可处理 3840 x 2160 最高分辨率。透过安装支架。使用者可轻易安装 DS-082。并为了方便多重联网需求，DS-082 提供 1 个网络接口，1 个内置 M.2 2230 E Key 扩展槽，可供户外加无线模块。同时也支持 4 个 USB，1 个 COM (RS-232) 端口进行系统集成及扩展应用。

1.2 产品性能

1.2.1 一般特性

- 搭载 AMD Ryzen V1000/R1000 处理器
- 支援 3/4 x HDMI、1 x GbE、4 x USB、1 x COM (RS-232)
- 支援 M.2 2242 M Key 储存空间
- 内置 M.2 2230 E Key 扩展插槽
- 超薄设计易于整合与维护

1.2.2 显示

- HDMI 2.0 x 4 @3840x2160@60Hz
(DS-082GB-T4A1E / DS-082GB-U0A1E / DS-082GBF-U0A1E)
- HDMI 2.0 x 3 @3840x2160@60Hz
(DS-082GB-U6A1E / DS-082GBF-U6A1E)

1.2.3 散热系统

- 主动式侧吹风扇
(DS-082GB-T4A1E / DS-082GB-U0A1E / DS-082GB-U6A1E)
- 无风扇系统
(DS-082GBF-U0A1E / DS-082GBF-U6A1E)

1.3 硬件规格

- 处理器：AMD Ryzen V1807B/V1605B/R1606G 处理器
- 系统芯片：Integrated in SOC
- 显示芯片：Integrated graphics built in Processor
- BIOS：AMI uEFI 128 Mbit
- 系统内存：2 x 260pin DDR4 SODIMM 插槽，单插槽最大可达 16 GB
- 储存装置：M.2 2242 M Key
- 看门狗定时器：由研华 SUSIAccess 支援
- IO 界面：
 - 1 x RS-232
 - 3/4 x HDMI
 - 4 x USB (2.0 x 2, 3.0 x 2)
 - 1 x (SPDIF/Line-out/ Mic-in), support Jack Sense
- 网络芯片：1 x RTL8111G
 - 速度：100/1000 Mbps
 - 界面：1 x RJ-45 jacks with LED
- 最高分辨率：
 - 3840 x 2160 @ 60Hz
- 扩展：
 - M.2 2230 E Key x 1

1.4 机械规格

1.4.1 尺寸

180 x 190 x 19mm (L x W x H)

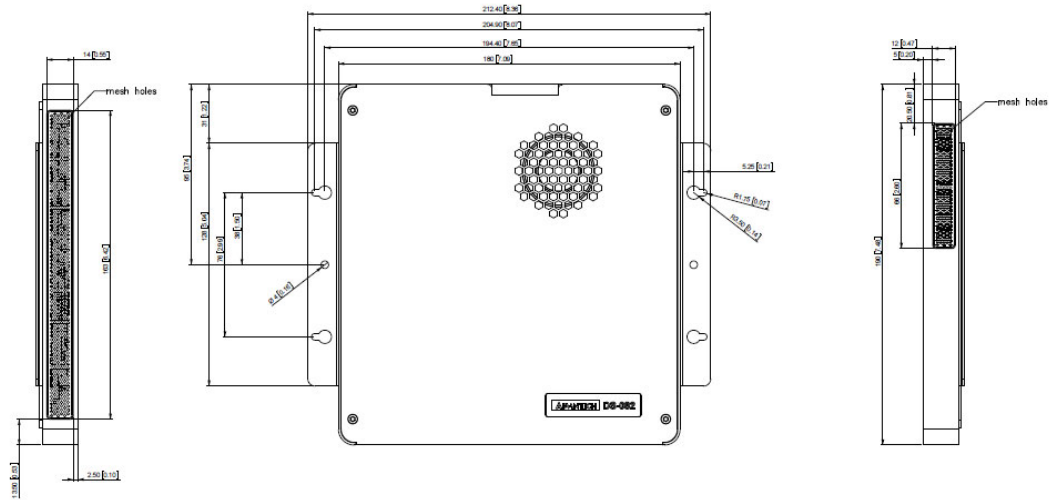


图 1.1: 机械尺寸

1.4.2 重量

0.87 kg (1.92 lbs)

1.5 电源要求

1.5.1 系统电源

- 最小电源输入: DC19V, 3.42A (DS-082GB-U0A1E/ DS-082GBF-U0A1E/ DS-082GB-U6A1E/ DS-082GBF-U6A1E)
- 最小电源输入: DC19V, 4.74A (DS-082GB-T4A1E)

1.5.2 RTC 电池

BATTERY 3V 195mAH BR2032

1.6 环境规格

1.6.1 工作温度

0° C - 40° C (32~122° F) with 0.7 m/s airflow

1.6.2 相对湿度

95% @ 40° C (非凝结)

1.6.3 储存温度

-20° C -60° C (-4-140° F)

1.6.4 工作时震动规格

0.5 Grms, IEC 60068-2-64, 随机, 5 ~ 500 Hz, 1 hr/axis

1.6.5 工作时冲击规格

20 G, IEC 60068-2-27, 半正弦波, 11 ms 间隔

1.6.6 安规

UL, CB, BSMI, CCC

1.6.7 EMC

CE, FCC Class B, BSMI, CCC

第 2 章

硬件安装

本章介绍 DS-082 系列外部 I/O 接口以及硬件安装。

2.1 前 / 后视图

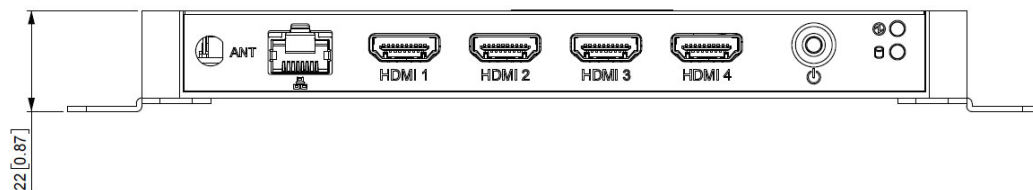


图 2.1: 前视图

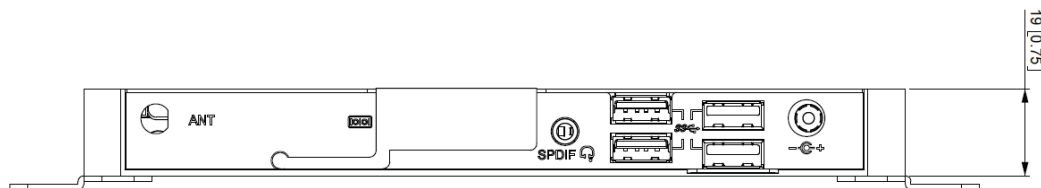


图 2.2: 后视图

2.2 外部 I/O

2.2.1 电源开关

DS-082 前面板配有电源开关按钮。按压此钮可开启或关闭系统并支持 5 秒延迟关机。

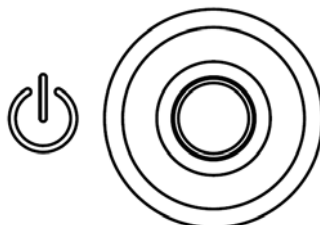


图 2.3: 电源开关

2.2.2 电源输入

DS-082 支持 19V DC 电源输入。

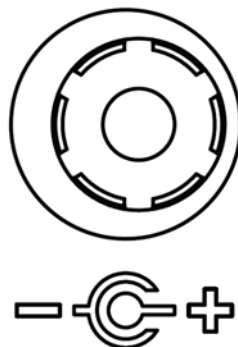


图 2.4: 电源输入

2.2.3 音频接口

DS-082 S/PDIF 接口可输出数字音效至立体音响、耳机、环绕音响或麦克风等设备。同时支持 Jack Sense 功能，可作为音频输出。



图 2.5: 音频接口

2.2.4 网络接口 (LAN)

DS-082 提供 1 个 RJ-45 网络接口，完全符合 IEEE802.3u 10/100/1000 Base-T CSMA/CD 标准。以 LED 显示工作状态或连接状态和速度。

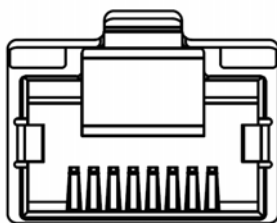


图 2.6: 网络接口 (LAN)

网络接口 (LAN) 接脚定义

Pin	Signal
1	MDI0+
2	MDI0-
3	MDI1+
4	MDI1-
5	GND
6	GND
7	MDI2+
8	MDI2-
9	MDI3+
10	MDI3-
11	VCC
12	ACT
13	+V3.3 & Link1000#
14	+V3.3 & Link100#

2.2.5 HDMI 界面

HDMI（高清晰度多媒体接口）是一种全数字化影像和声音传送接口，可以传送未压缩的音频及视讯信号。并支持 HDCP。DS-082 HDMI 界面最高可支持 3840 x 2160 @ 60 Hz 分辨率。（实际所支持的分辨率取决于所使用的显示器）

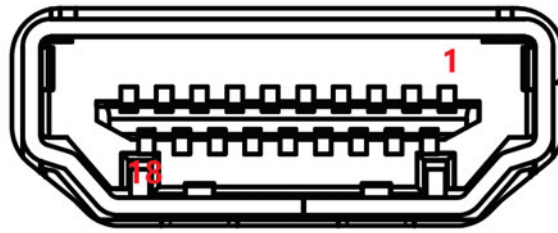


图 2.7: HDMI 界面

HDMI 接口引脚定义

Pin	Signal
1	TMDS Data 2+
2	TMDS Data 2 shield
3	TMDS Data 2-
4	TMDS Data 1+
5	TMDS Data 1 shield
6	TMDS Data 1-
7	TMDS Data 0+
8	TMDS Data 0 shield
9	TMDS Data 0-
10	TMDS Clock+
11	TMDS Clock shield
12	TMDS Clock-
13	CEC
14	Reserved
15	SCL
16	SDA
17	DDC/CEC Ground
18	+5V
19	Hot Plug Detect

2.2.6 USB 界面

DS-082 提供 4 个 USB，符合 USB Rev. 2.0/3.0 标准。支持即插即用，即使您连接或断开设备，也无须关闭设备。

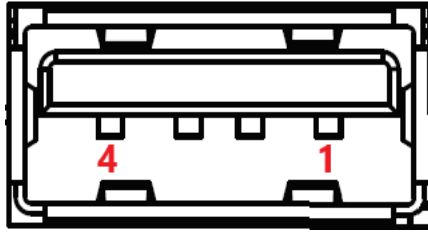


图 2.8: USB 界面

USB 接口接脚定义

Pin	Signal
1	VCC
2	USB Data-
3	USB Data+
4	GND

2.2.7 COM 界面

DS-082 提供 1 个 D-sub 9-pin 埠，可支持 RS-232 通信。

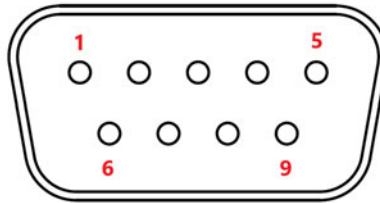


图 2.9: COM 埠

COM 接口接脚定义

Pin	Signal
1	DCD
2	RxD
3	TxD
4	DTR
5	GND
6	DSR
7	RTS
8	CTS
9	RI

2.3 硬件安装

2.3.1 安装储存装置

1. 卸下螺丝后打开顶盖。
2. 安装 M.2 2242 模块，然后用螺丝进行固定。

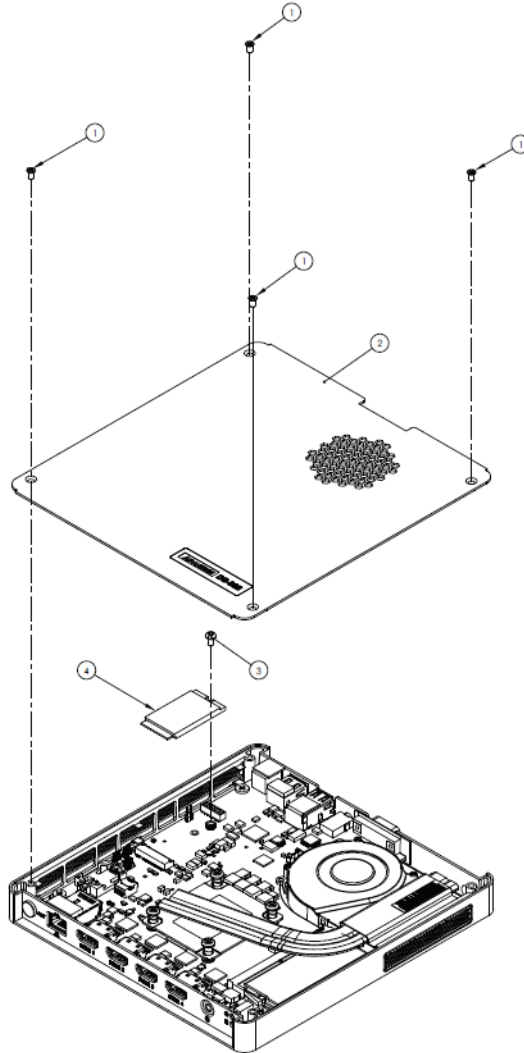


图 2.10: 安装储存装置

2.3.2 安装 M.2 2230 和内存

1. 打开底盖即可安装内存模块和 M.2 2230 模块。

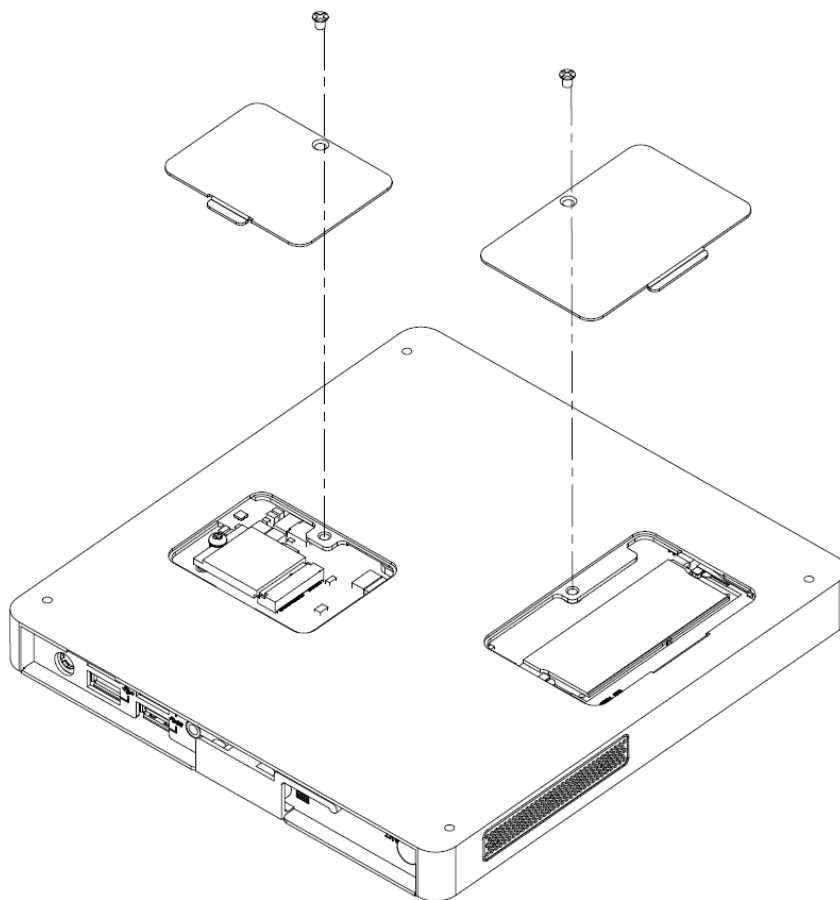


图 2.11: 安装 M.2 2230 和内存

2.3.3 安装壁挂支架

1. 以四颗螺丝锁附壁挂支架。

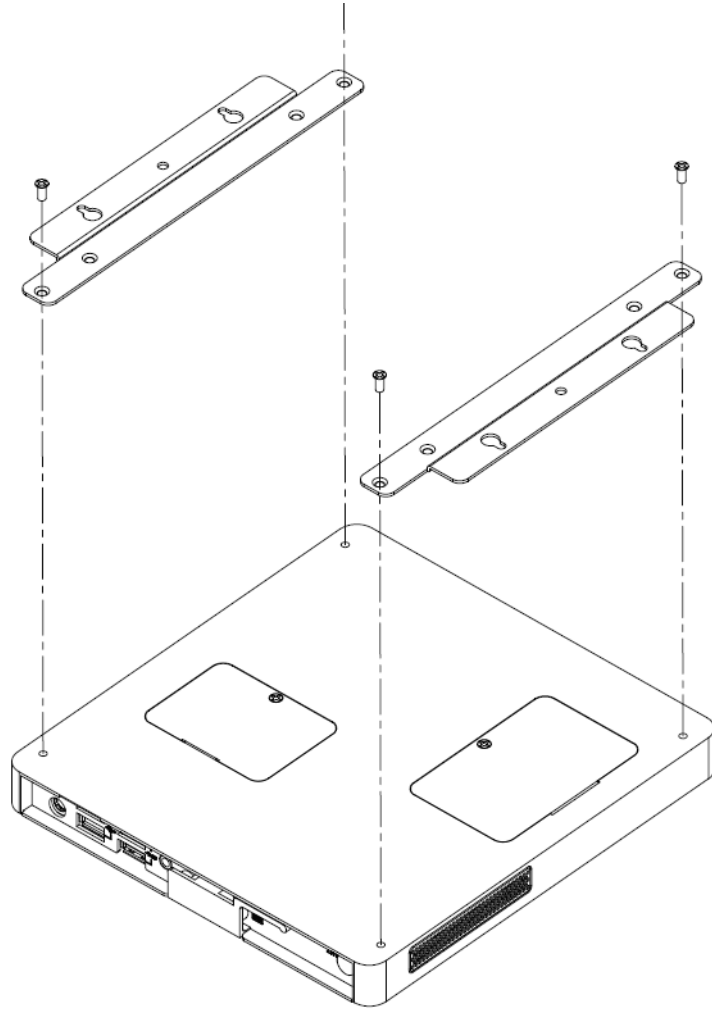


图 2.12：安装壁挂支架

2.3.4 安装方向

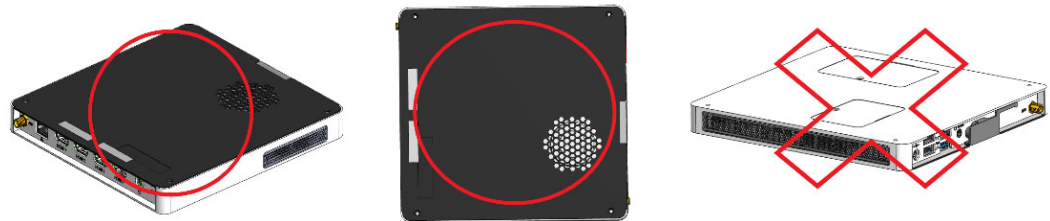


图 2.13：安装方向

2.4 限用物质含有情况标示声明书

设备名称: 计算机 Equipment name		型号: DS-082 Type designation (Type)				
单元 Unit	限用物质及其化学符号 Restricted substances and its chemical symbols					
	铅 Lead (Pb)	汞 Mercury (Hg)	镉 Cadmium (Cd)	六价铬 Hexavalent chromium (Cr ⁺⁶)	多溴联苯 Polybrominated biphenyls (PBB)	多溴二苯醚 Polybrominated diphenyl ethers (PBDE)
电路板	—	○	○	○	○	○
外壳	○	○	○	○	○	○
螺丝、铜柱	—	○	○	○	○	○
电源供应器	—	○	○	○	○	○
散热模块	○	○	○	○	○	○
<p>备考 1. “超出 0.1 wt %” 及 “超出 0.01 wt %” 系指限用物质之百分比含量超出百分比含量基准值。 Note 1. “Exceeding 0.1 wt %” and “exceeding 0.01 wt %” indicate that the percentage content of the restricted substance exceeds the reference percentage value of presence condition.</p> <p>备考 2. “○” 系指该项限用物质之百分比含量未超出百分比含量基准值。 Note 2. “○” indicates that the percentage content of the restricted substance does not exceed the percentage of reference value of presence.</p> <p>备考 3. “—” 系指该项限用物质为排除项目。 Note 3. The “-” indicates that the restricted substance corresponds to the exemption.</p>						

ADVANTECH

Enabling an Intelligent Planet

www.advantech.com.cn

使用前请检查核实产品的规格。本手册仅作为参考。

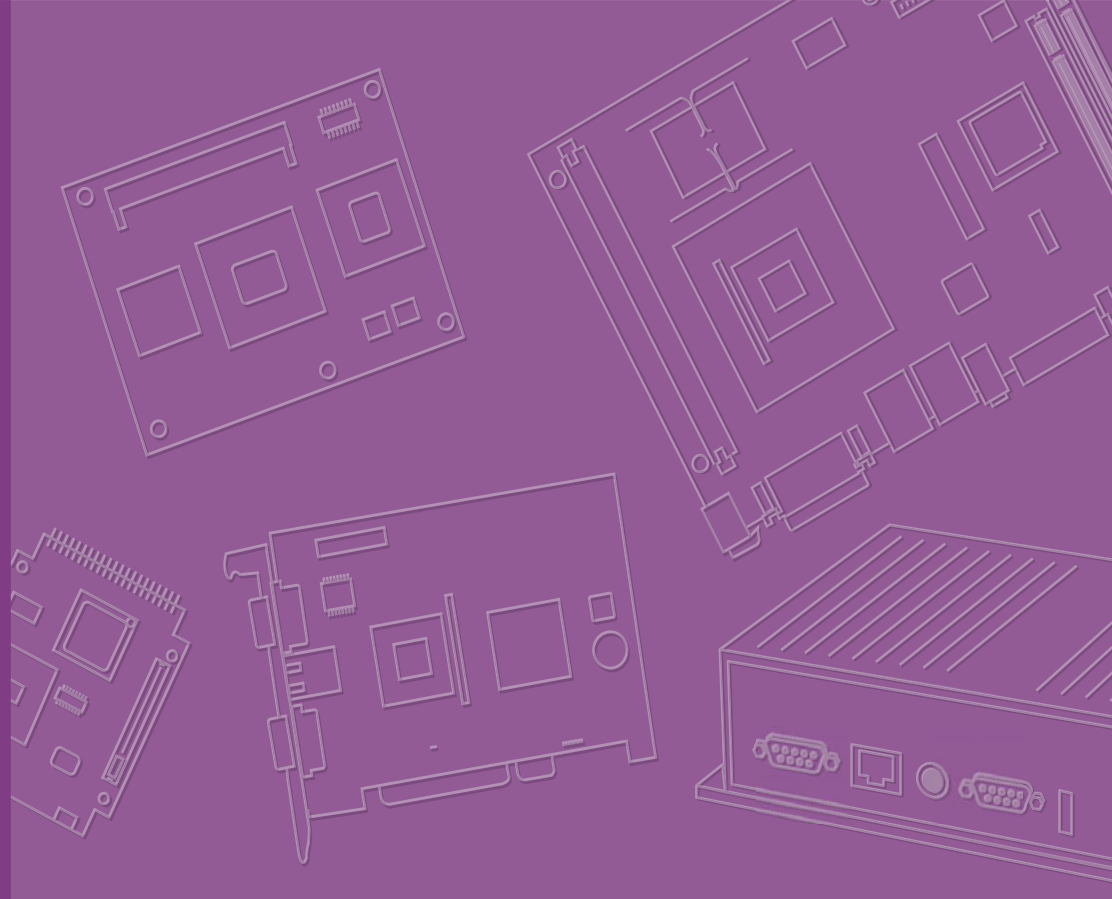
产品规格如有变更，恕不另行通知。

未经研华公司书面许可，本手册中的所有内容不得通过任何途经以任何形式复制、翻印、翻译或者传输。

所有其他产品名或商标均为各自所属方的财产。

© 研华公司 2019

用戶手冊



DS-082

電腦

ADVANTECH

Enabling an Intelligent Planet

版權聲明

隨附本產品發行的檔為研華公司 2019 年版權所有，並保留相關權利。針對本手冊中相關產品的說明，研華公司保留隨時變更的權利，恕不另行通知。未經研華公司書面許可，本手冊所有內容不得通過任何途徑以任何形式複製、翻印、翻譯或者傳輸。本手冊以提供正確、可靠的資訊為出發點。但是研華公司對於本手冊的使用結果，或者因使用本手冊而導致其它協力廠商的權益受損，概不負責。

認可聲明

IBM, PC/AT, PS/2 和 VGA 為 International Business Machines Corporation 的商標

Intel® 和 ATOM® 為 Intel 的商標

ESS 為 ESS Technology, Inc. 的商標

UMC 為 United Microelectronics Corporation 的商標

SMI 為 Silicon Motion, Inc. 的商標

Creative 為 Creative Technology LTD. 的商標

CHRONTEL 為 Chrontel Inc. 的商標

所有其他產品或商標均為各自所屬方的財產

技術支援

如需本產品或研華其他產品更多的資訊，請參考研華網站：<http://www.advantech.com>

如需技術支援與其他服務，請至研華服務網站：<http://support.advantech.com.tw/support>

產品質量保證（兩年）

從購買之日起，研華為原購買商提供兩年的產品品質保證。但對那些未經授權的維修人員維修過的產品不予提供品質保證。研華對於不正確的使用、災難、錯誤安裝產生的問題有免責權利。

如果研華產品出現故障，在質保期內我們提供免費維修或更換服務。對於出保產品，我們將會酌情收取材料費、人工服務費用。請聯繫相關銷售人員瞭解詳細情況。

如果您認為您購買的產品出現了故障，請遵循以下步驟：

1. 收集您所遇到的問題資訊（例如，CPU 主頻、使用的研華產品及其它軟體、硬體等）。請注意螢幕上出現的任何不正常資訊顯示。
2. 打電話給您的供應商，描述故障問題。請借助手冊、產品和任何有說明的資訊。
3. 如果您的產品被診斷發生故障，請從您的供應商那裡獲得 RMA (Return Material Authorization) 序號。這可以讓我們儘快地進行故障產品的回收。
4. 請仔細地包裝故障產品，並在包裝中附上完整的售後服務卡片和購買日期證明（如銷售發票）。我們對無法提供購買日期證明的產品不提供品質保證服務。
5. 把相關的 RMA 序號寫在外包裝上，並將其運送給銷售人員。

符合性聲明

FCC B 級

根據 FCC 規則第 15 條，本設備已經過檢測並被判定符合 B 級數字設備標準。這些限制旨在為居住環境下的系統操作提供合理保護，使其免受有害干擾。本設備會產生、使用和發射無線電頻率能量，如果沒有按照手冊說明正確安裝和使用，可能對無線電通訊造成有害干擾。但即使按照手冊說明進行安裝和使用，也並不能保證不會產生干擾。若本設備會對無線電或電視信號接收產生有害干擾，用戶可透過開關設備進行確認。當本設備產生有害干擾時，用戶可採取下面的措施來也解決干擾問題：

- 調整接收天線的方向或位置
- 增大本設備與接受器之間的距離
- 將本設備的電源接頭插在與接受器不同電路的電源插座
- 若需要技術支援，請洽經銷商或經驗豐富的無線電 / 電視技術人員

技術支援與服務

1. 有關該產品的最新訊息，請訪問研華公司網站：
<http://support.advantech.com.tw>
2. 用戶若需技術支援，請與當地經銷商、業務代表、或研華客服中心聯繫。進行技術諮詢前，用戶需完整提供下列各項產品訊息：
 - 產品名稱及序號
 - 附加設備描述
 - 用戶軟體描述（操作系統、版本、應用軟體等）
 - 產品所出現問題的完整描述

警告與注意

警告!



在操作過程中，用戶須特別注意該手冊中的警告訊息，以免造成人身傷害。

注意!



該手冊中的注意訊息可幫助用戶避免損壞硬體或丟失數據，例如：如果電池放置不正確，將有爆炸的危險。因此，只可以使用製造商推薦的同一種或者同等型號的電池進行替換。請按照製造商的指示處理舊電池。

註!



此項提供其它額外信息。

安全指示

1. 請仔細閱讀此安全操作說明。
2. 請妥善保存此用戶手冊供日後參考。
3. 用濕抹布清洗設備前，請從插座拔下電源線。請不要使用液體或去汙噴霧劑清洗設備。
4. 對於使用電源線的設備，設備周圍必須有容易接觸到的電源插座。
5. 請不要在潮濕環境中使用設備。
6. 請在安裝前確保設備放置在可靠的平面上，意外跌落可能會導致設備損壞。
7. 設備外殼的開口是用於空氣對流，從而防止設備過熱。**請不要覆蓋這些開口。**
8. 當您連接設備到電源插座上前，請確認電源插座的電壓是否符合要求。
9. 請將電源線佈置在人們不易絆到的位置，並不要在電源線上覆蓋任何雜物。
10. 請注意設備上的所有警告和注意標語。
11. 如果長時間不使用設備，請將其同電源插座斷開，避免設備被超標的電壓波動損壞。
12. 請不要讓任何液體流入通風口，以免引起火災或者短路。
13. 請不要自行打開設備。為了確保您的安全，請由經過認證的工程師來打開設備。
14. 如遇下列情況，請由專業人員來維修：
 - 電源線或者插頭損壞；
 - 設備內部有液體流入；
 - 設備曾暴露在過於潮濕的環境中使用；
 - 設備無法正常工作，或您無法通過用戶手冊來使其正常工作；
 - 設備跌落或者損壞；
 - 設備有明顯的外觀破損。
15. 請不要把設備放置在超出我們建議的溫度範圍的環境，否則可能會損壞設備。
16. **注意：**如果電池放置不正確，將有爆炸的危險。因此，只可以使用製造商推薦的同一種或者同等型號的電池進行替換。請按照製造商的指示處理舊電池。
17. 根據 IEC 704-1:1982 的規定，操作員所在位置的聲壓級不可高於 70dB(A)。
18. **限制區域：**請勿將設備安裝於限制區域使用。
19. **免責聲明：**該安全指示符合 IEC 704-1 的要求。研華公司對其內容的準確性不承擔任何法律責任。

包裝清單

安裝系統之前，使用者需確認包裝中含有本設備以及下面所列各項，並確認設備完好。若有任何不符，請立即與經銷商聯繫。

- 1 x DS-082
- 1 x 軟體光碟
- 1 x China RoHS 聲明
- 1 x 說明書
- 1 x 安裝支架
- 1 x 電源適配器

DS-082 系列型號

DS-082GB-T4A1E	DS-082GB-U0A1E	DS-082GBF-U0A1E	DS-082GB-U6A1E	DS-082GBF-U6A1E
DS082GB1901-T	DS082GB1902-T	DS082GB1903-T	DS082GB1904-T	DS082GB1905-T
DS082GB1906-T	DS082GB1907-T	DS082GB1908-T	DS082GB1909-T	DS082GB1910-T
DS082GB2001-T	DS082GB2002-T	DS082GB2003-T	DS082GB2004-T	DS082GB2005-T
DS082GB2006-T	DS082GB2007-T	DS082GB2008-T	DS082GB2009-T	DS082GB2010-T
DS082GB2101-T	DS082GB2102-T	DS082GB2103-T	DS082GB2104-T	DS082GB2105-T
DS082GB2106-T	DS082GB2107-T	DS082GB2108-T	DS082GB2109-T	DS082GB2110-T
DS082GB2201-T	DS082GB2202-T	DS082GB2203-T	DS082GB2204-T	DS082GB2205-T
DS082GB2206-T	DS082GB2207-T	DS082GB2208-T	DS082GB2209-T	DS082GB2210-T
DS082GB2301-T	DS082GB2302-T	DS082GB2303-T	DS082GB2304-T	DS082GB2305-T
DS082GB2306-T	DS082GB2307-T	DS082GB2308-T	DS082GB2309-T	DS082GB2310-T
DS082GB2401-T	DS082GB2402-T	DS082GB2403-T	DS082GB2404-T	DS082GB2405-T
DS082GB2406-T	DS082GB2407-T	DS082GB2408-T	DS082GB2409-T	DS082GB2410-T

目錄

第 1 章	概述	1
1.1	產品簡介	2
1.2	產品性能	2
1.2.1	一般特性	2
1.2.2	顯示	2
1.2.3	散熱系統	2
1.3	硬體規格	3
1.4	機構規格	4
1.4.1	尺寸	4
	圖 1.1: 機械尺寸	4
1.4.2	重量	4
1.5	電源要求	4
1.5.1	系統電源	4
1.5.2	RTC 電池	4
1.6	環境規格	4
1.6.1	工作溫度	4
1.6.2	相對濕度	4
1.6.3	儲存溫度	4
1.6.4	工作時震動規格	5
1.6.5	工作時衝擊規格	5
1.6.6	安規	5
1.6.7	EMC	5
第 2 章	硬體安裝	7
2.1	前 / 後視圖	8
	圖 2.1: 前視圖	8
	圖 2.2: 後視圖	8
2.2	外部 I/O	8
2.2.1	電源開關	8
	圖 2.3: 電源開關	8
2.2.2	電源輸入	8
	圖 2.4: 電源輸入	8
2.2.3	音訊介面	9
	圖 2.5: 音訊介面	9
2.2.4	網路介面 (LAN)	9
	圖 2.6: 網路介面 (LAN)	9
2.2.5	HDMI 介面	10
	圖 2.7: HDMI 介面	10
2.2.6	USB 介面	11
	圖 2.8: USB 介面	11
2.2.7	COM 介面	11
	圖 2.9: COM 埠	11
2.3	硬體安裝	12
2.3.1	安裝儲存裝置	12
	圖 2.10: 安裝儲存裝置	12
2.3.2	安裝 M.2 2230 和記憶體	13
	圖 2.11: 安裝 M.2 2230 和記憶體	13
2.3.3	安裝壁掛支架	14
	圖 2.12: 安裝壁掛支架	14
2.3.4	安裝方向	14
	圖 2.13: 安裝方向	14
2.4	限用物質含有情況標示聲明書	15

第 1 章

概述

本章介紹 DS-082 系列產品基本資訊。

1.1 產品簡介

DS-082 搭載 AMD Ryzen V1000/R1000 處理器，支援 HDMI 3/4 路獨立顯示輸出，並可處理 3840 x 2160 最高解析度。透過安裝支架。使用者可輕易安裝 DS-082。並為了方便多重聯網需求，DS-082 提供 1 個網路介面，1 個內置 M.2 2230 E Key 擴充槽，可供使用者外加無線模組。同時也支持 4 個 USB，1 個 COM (RS-232) 埠進行系統集成及擴展應用。

1.2 產品性能

1.2.1 一般特性

- 搭載 AMD Ryzen V1000/R1000 處理器
- 支援 3/4 x HDMI、1 x GbE、4 x USB、1 x COM (RS-232)
- 支援 M.2 2242 M Key 儲存空間
- 內置 M.2 2230 E Key 擴展插槽
- 超薄設計易於整合與維護

1.2.2 顯示

- HDMI 2.0 x 4 @3840x2160@60Hz
(DS-082GB-T4A1E / DS-082GB-U0A1E / DS-082GBF-U0A1E)
- HDMI 2.0 x 3 @3840x2160@60Hz
(DS-082GB-U6A1E / DS-082GBF-U6A1E)

1.2.3 散熱系統

- 主動式側吹風扇
(DS-082GB-T4A1E / DS-082GB-U0A1E / DS-082GB-U6A1E)
- 無風扇系統
(DS-082GBF-U0A1E / DS-082GBF-U6A1E)

1.3 硬體規格

- 處理器：AMD Ryzen V1807B/V1605B/R1606G 處理器
- 系統晶片：Integrated in SOC
- 顯示晶片：Integrated graphics built in Processor
- BIOS：AMI uEFI 128 Mbit
- 系統記憶體：2 x 260pin DDR4 SODIMM 插槽，單插槽最大可達 16 GB
- 儲存裝置：M.2 2242 M Key
- 看門狗計時器：由研華 SUSIAccess 支援
- IO 介面：
 - 1 x RS-232
 - 3/4 x HDMI
 - 4 x USB (2.0 x 2, 3.0 x 2)
 - 1 x (SPDIF/Line-out/ Mic-in), support Jack Sense
- 網路晶片：1 x RTL8111G
 - 速度：100/1000 Mbps
 - 介面：1 x RJ-45 jacks with LED
- 最高解析度：
 - 3840 x 2160 @ 60Hz
- 擴展：
 - M.2 2230 E Key x 1

1.4 機構規格

1.4.1 尺寸

180 x 190 x 19 mm (7.09" x 7.48" x 0.75") (W x D x H)

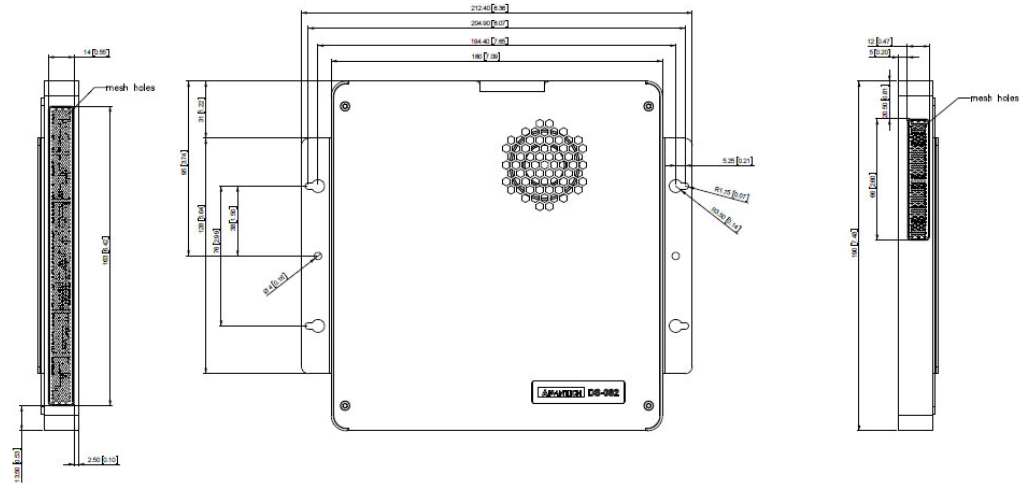


圖 1.1: 機械尺寸

1.4.2 重量

0.87 kg (1.92 lbs)

1.5 電源要求

1.5.1 系統電源

- 最小電源輸入：DC19V, 3.42A (DS-082GB-U0A1E/ DS-082GBF-U0A1E/ DS-082GB-U6A1E/ DS-082GBF-U6A1E)
- 最小電源輸入：DC19V, 4.74A (DS-082GB-T4A1E)

1.5.2 RTC 電池

BATTERY 3V 195mAH BR2032

1.6 環境規格

1.6.1 工作溫度

0° C - 40° C (32~122° F) with 0.7 m/s airflow

1.6.2 相對濕度

95% @ 40° C (非凝結)

1.6.3 儲存溫度

-20° C -60° C (-4-140° F)

1.6.4 工作時震動規格

0.5 Grms, IEC 60068-2-64, 隨機, 5 ~ 500 Hz, 1 hr/axis

1.6.5 工作時衝擊規格

20 G, IEC 60068-2-27, 半正弦波, 11 ms 間格

1.6.6 安規

UL, CB, BSMI, CCC

1.6.7 EMC

CE, FCC Class B, BSMI, CCC

第 2 章

硬體安裝

本章介紹 DS-082 系列外部 I/O 介面
以及硬體安裝。

2.1 前 / 後視圖

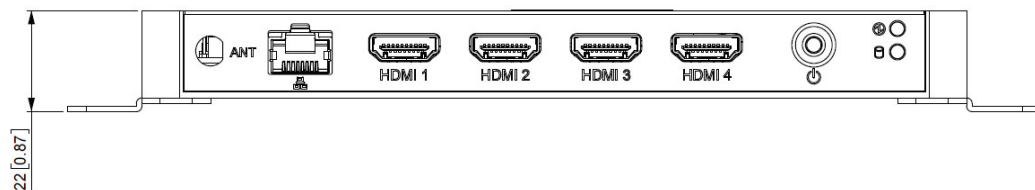


圖 2.1: 前視圖

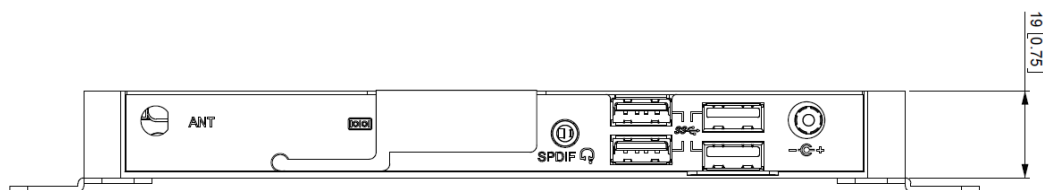


圖 2.2: 後視圖

2.2 外部 I/O

2.2.1 電源開關

DS-082 前面板配有電源開關按鈕。按壓此鈕可開啟或關閉系統並支援 5 秒延遲關機。

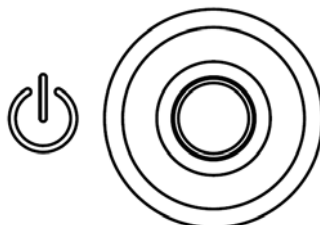


圖 2.3: 電源開關

2.2.2 電源輸入

DS-082 支援 19V DC 電源輸入。

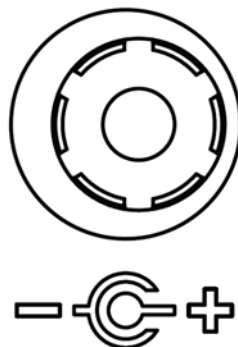


圖 2.4: 電源輸入

2.2.3 音訊介面

DS-082 S/PDIF 介面可輸出數位音效至立體音響、耳機、環繞音響或麥克風等設備。同時支持 Jack Sense 功能，可作為音訊輸出。



圖 2.5: 音訊介面

2.2.4 網路介面 (LAN)

DS-082 提供 1 個 RJ-45 網路介面，完全符合 IEEE802.3u 10/100/1000 Base-T CSMA/CD 標準。以 LED 顯示工作狀態或連接狀態和速度。

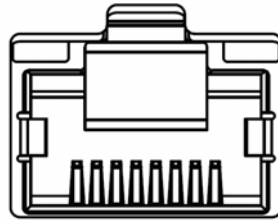


圖 2.6: 網路介面 (LAN)

網路介面 (LAN) 接腳定義

Pin	Signal
1	MDI0+
2	MDI0-
3	MDI1+
4	MDI1-
5	GND
6	GND
7	MDI2+
8	MDI2-
9	MDI3+
10	MDI3-
11	VCC
12	ACT
13	+V3.3 & Link1000#
14	+V3.3 & Link100#

2.2.5 HDMI 介面

HDMI（高清晰度多媒體介面）是一種全數位化影像和聲音傳送介面，可以傳送未壓縮的音訊及視訊信號。並支持 HDCP。DS-082 HDMI 介面最高可支援 3840 x 2160 @ 60 Hz 解析度。（實際所支援的解析度取決於所使用的顯示器）

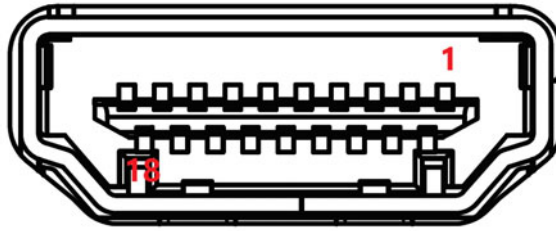


圖 2.7：HDMI 介面

HDMI 介面接腳定義	
Pin	Signal
1	TMDS Data 2+
2	TMDS Data 2 shield
3	TMDS Data 2-
4	TMDS Data 1+
5	TMDS Data 1 shield
6	TMDS Data 1-
7	TMDS Data 0+
8	TMDS Data 0 shield
9	TMDS Data 0-
10	TMDS Clock+
11	TMDS Clock shield
12	TMDS Clock-
13	CEC
14	Reserved
15	SCL
16	SDA
17	DDC/CEC Ground
18	+5V
19	Hot Plug Detect

2.2.6 USB 介面

DS-082 提供 4 個 USB，符合 USB Rev. 2.0/3.0 標準。支援隨插即用，即使您連接或斷開設備，也無須關閉設備。

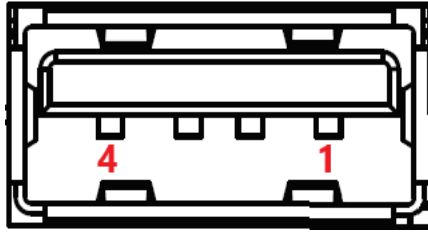


圖 2.8: USB 介面

USB 介面接腳定義	
Pin	Signal
1	VCC
2	USB Data-
3	USB Data+
4	GND

2.2.7 COM 介面

DS-082 提供 1 個 D-sub 9-pin 埠，可支援 RS-232 通信。

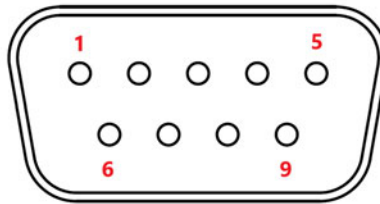


圖 2.9: COM 埠

COM 介面接腳定義	
Pin	Signal
1	DCD
2	RxD
3	TxD
4	DTR
5	GND
6	DSR
7	RTS
8	CTS
9	RI

2.3 硬體安裝

2.3.1 安裝儲存裝置

1. 卸下螺絲後打開頂蓋。
2. 安裝 M.2 2242 模組，然後用螺絲進行固定。

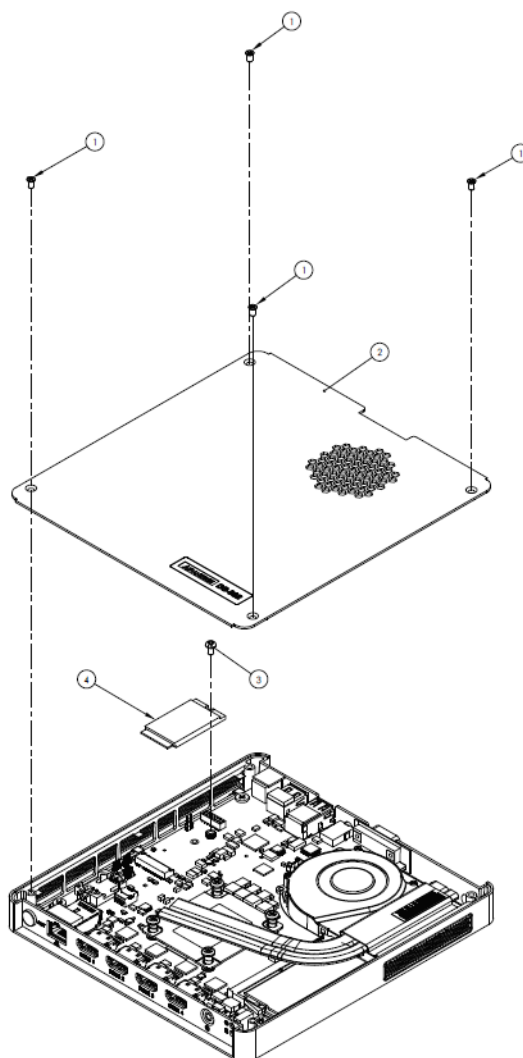


圖 2.10： 安裝儲存裝置

2.3.2 安裝 M.2 2230 和記憶體

1. 打開底蓋即可安裝記憶體模組和 M.2 2230 模組。

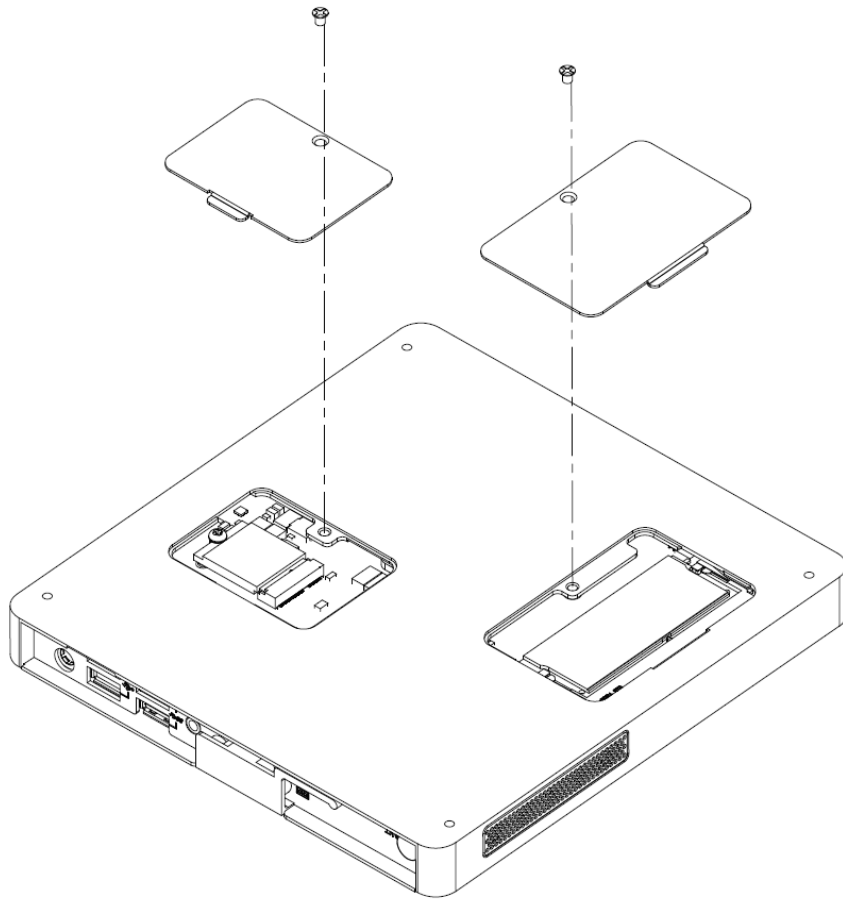


圖 2.11: 安裝 M.2 2230 和記憶體

2.3.3 安裝壁掛支架

1. 以四顆螺絲鎖附壁掛支架。

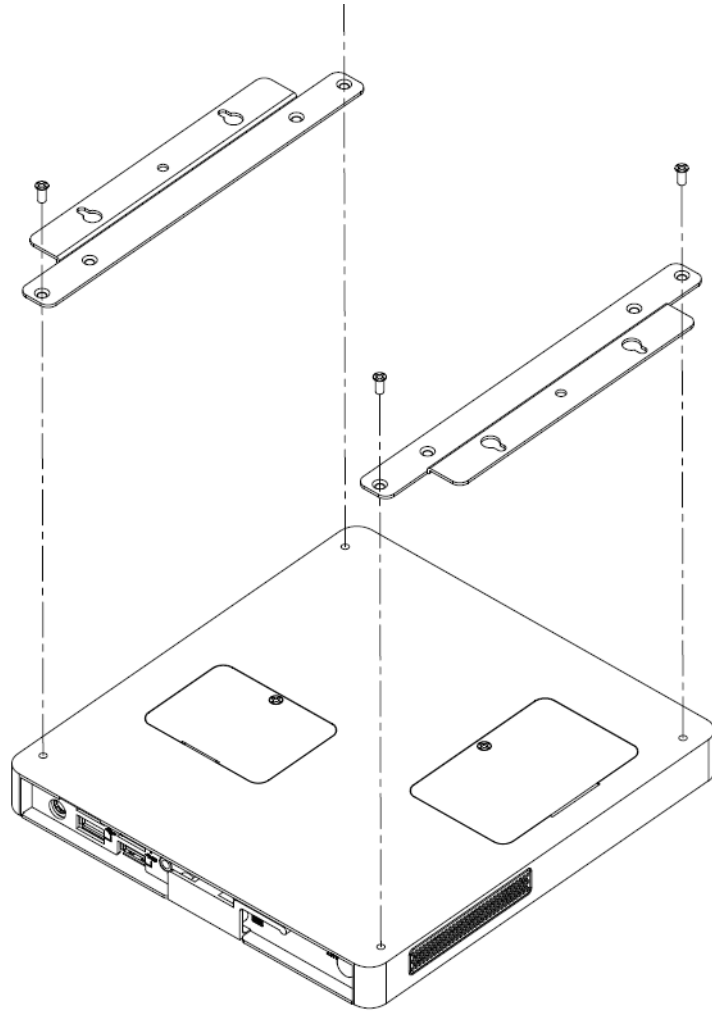


圖 2.12: 安裝壁掛支架

2.3.4 安裝方向

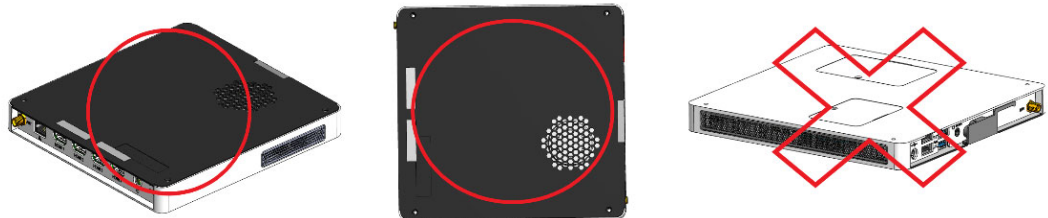


圖 2.13: 安裝方向

2.4 限用物質含有情況標示聲明書

設備名稱：電腦 Equipment name		型號（型式）：DS-082 Type designation (Type)				
單元 Unit	限用物質及其化學符號 Restricted substances and its chemical symbols					
	鉛 Lead (Pb)	汞 Mercury (Hg)	鎘 Cadmium (Cd)	六價鉻 Hexavalent chromium (Cr ⁺⁶)	多溴聯苯 Polybrominated biphenyls (PBB)	多溴二苯醚 Polybrominated diphenyl ethers (PBDE)
電路板	—	○	○	○	○	○
外殼	○	○	○	○	○	○
螺絲、銅柱	—	○	○	○	○	○
電源供應器	—	○	○	○	○	○
散熱模組	○	○	○	○	○	○
<p>備考 1. “超出 0.1 wt %” 及 “超出 0.01 wt %” 係指限用物質之百分比含量超出百分比含量基準值。 Note 1. “Exceeding 0.1 wt %” and “exceeding 0.01 wt %” indicate that the percentage content of the restricted substance exceeds the reference percentage value of presence condition.</p> <p>備考 2. “○” 係指該項限用物質之百分比含量未超出百分比含量基準值。 Note 2. “○” indicates that the percentage content of the restricted substance does not exceed the percentage of reference value of presence.</p> <p>備考 3. “—” 係指該項限用物質為排除項目。 Note 3. The “-” indicates that the restricted substance corresponds to the exemption.</p>						

ADVANTECH

Enabling an Intelligent Planet

www.advantech.tw

使用前請檢查核實產品的規格。本手冊僅作為參考。產品規格如有變更，恕不另行通知。未經研華公司書面許可，本手冊中的所有內容不得通過任何途徑以任何形式複製、翻印、翻譯或者傳輸。

所有其他產品名或商標均為各自所屬方的財產。

© 研華公司 2019