

# W10IE3S-GSH2

## 10.1" Intel® Celeron® N6211 G-WIN GS-Series Full IP65 PCAP Panel PC



### KEY FEATURES

- 10.1" 1280 x 800 Resolution with Projected Capacitive Multi-Touch (P-CAP)
- Intel® Celeron® N6211 Elkhart Lake
- Fanless cooling system and ultra-low power consumption
- Edge-to-edge design
- Full IP65 design with Special M12 Waterproof connectors
- 1 x LAN, 1 x RS232, 1 x USB 2.0

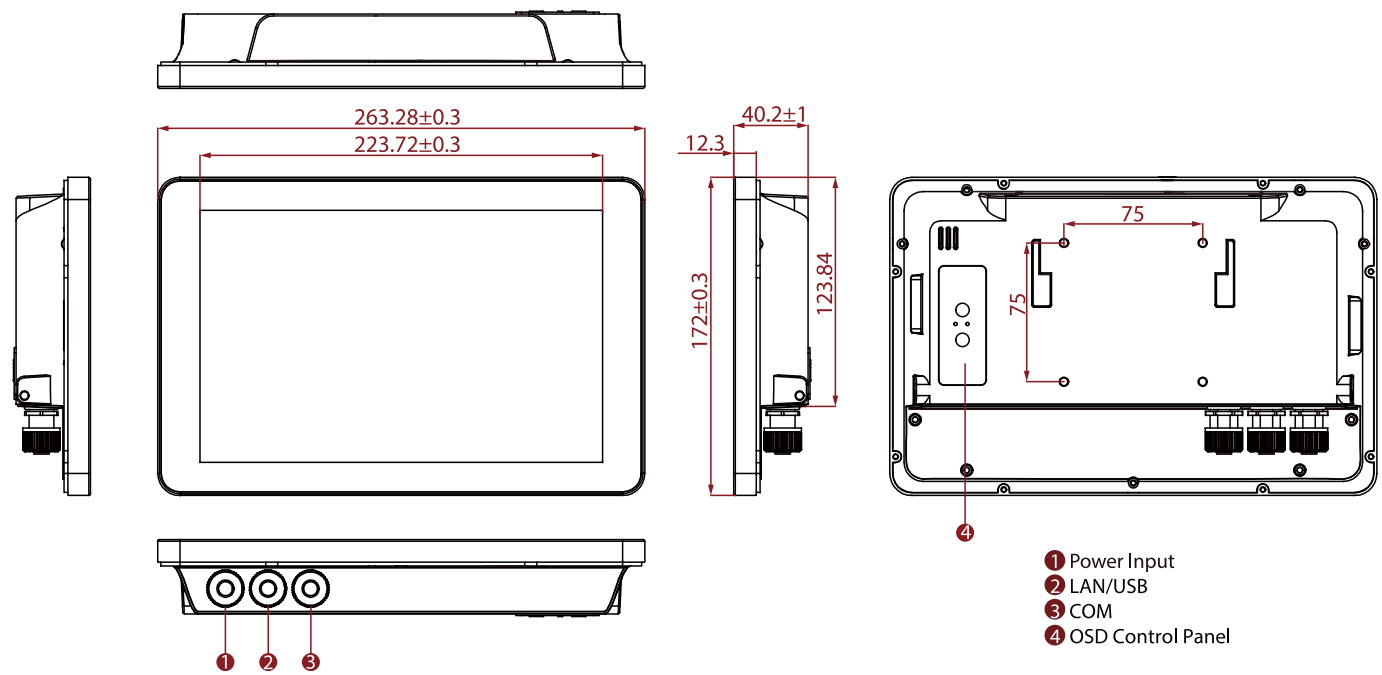


### SPECIFICATIONS

Display			
<b>Resolution</b>	1280x800	<b>Size</b>	10.1 inches
<b>Contrast Ratio</b>	800:1	<b>Panel Brightness</b>	350.0 nits
<b>View Angles</b>	85,85,85,85	<b>Active Area</b>	216.96x135.6 mm
<b>Touch / Glass</b>	Projected Capacitive Multi Touch Screen Protection Glass (Optional)		
System Specification			
<b>Processor</b>	Intel® Celeron® N6211 ( up to 3.0GHz)	<b>Memory</b>	1 x SO-DIMM, DDR4 3200 MHz, 4GB 8GB (Optional) 16GB (Optional)
<b>Storage</b>	1 x M.2 2242 B-key SSD 128GB 256GB (Optional) 512GB 1 x SATA III for 2.5" SSD/HDD up to 1TB (Optional)	<b>Ethernet controller</b>	2 x Intel® Ethernet Controller
<b>Security</b>	TPM 2.0	<b>Operating System</b>	Windows 11 IoT Enterprise (64 bit) (Optional) Windows 11 Pro 64 bit (Optional) Windows 10 IoT Enterprise (64 bit) (Optional) Linux Ubuntu 22.04 (Optional)
Environment			
<b>Operating Humidity</b>	10% to 95% RH	<b>Operating Temperature</b>	-15~55°C
<b>Storage Temperature</b>	-30°C to 60°C	<b>Shock</b>	40g for 11ms
<b>Vibration</b>	1.48/1.90/2.24 g rms for XYZ/ 5-500Hz	<b>IP rating</b>	IP65, Dustproof and Waterproof
Certification			
<b>Certification</b>	CE, FCC Compliant with MIL-STD-810F/G for vibration / shock		
IO Ports			
<b>USB Port</b>	1 x USB 2.0 (M12 type)	<b>Serial Port</b>	1 x RS232/422/485 (Default RS232)(M12 type)
<b>LAN</b>	1 x LAN-10/100/1000 (M12 type)	<b>Indicator</b>	1 x LED Indicator for power 1 x LED Indicator for storage
Mechanical			
<b>Dimension</b>	263.28 x 172 x 40.2 mm	<b>Mounting</b>	VESA Mount/ Panel Mount
<b>Enclosure</b>	Aluminum	<b>Cooling System</b>	Fanless Design

<b>Power</b>	
<b>Power Rating</b>	9-36V DC (M12 type)
<b>Accessory</b>	
<b>Accessory</b>	Quick Start Guide (Hardcopy) M12 Power Cable M12 Serial Interface Cable M12 USB/ LAN Cable I/O Protective Cap x 3
<b>Control</b>	
<b>Button</b>	1 x Power Button 1 x Reset Button

**DIMENSIONS** UNIT:MM



- ① Power Input
- ② LAN/USB
- ③ COM
- ④ OSD Control Panel

**NOTE**

1. This is a simplified drawing and some components are not marked in detail.
2. Please contact our sales representative if you need further product information.
3. All specifications are subject to change without prior notice.
4. The product shown in this datasheet is a standard model. For diagrams that contain customized or optional I/O, please contact the Winmate Sales Team for more information.