



U14

Desktop Active Air Cooler

PRODUCT SPECIFICATIONS

Speficiation Version: 07/23/2024

(Specifications are subject to change without notice)

U14 | Socket Intel LGA1700/1851 | AMD AM4/AM5

Model Number: U14

- Recommend for Intel® CPU as following
 - Intel® Core 12th – 14th generation Socket LGA1700/1851
- Recommend for AMD® CPU as following
 - AMD® Ryzen Socket AM4/AM5
- Active Air Cooler for desktop PC and work station.

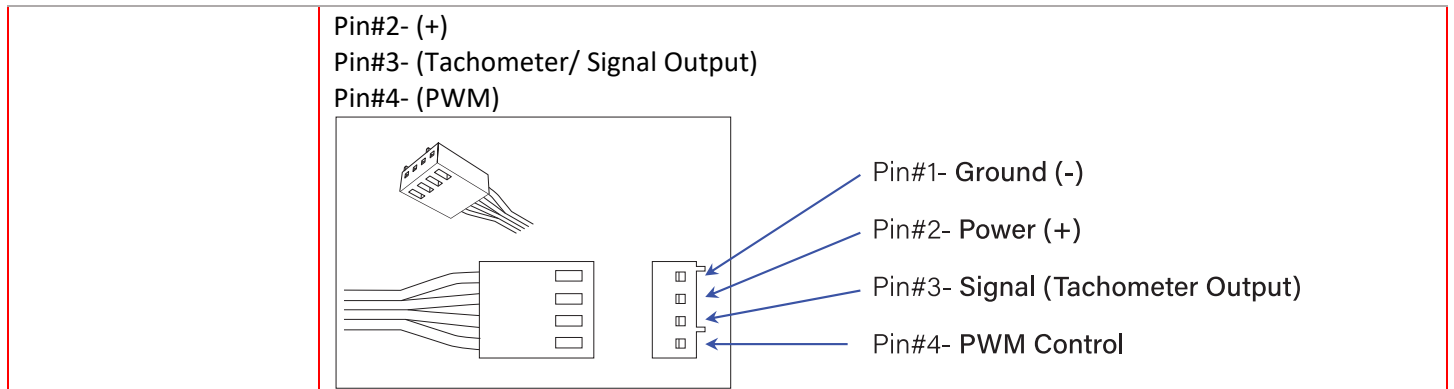
Overall Specification

Dimension	77.8 x 147 x 165 mm
Weight	600 g
Fan	140mm Side-blow Fan with PWM function
Material	Aluminum Stacked-fin with Heat Pipes directly contact CPU
Mounting	Convenient Heat Sink screw captive mounting
Thermal Grease	Shin-Etsu X23-8079-2 Pre-Printed
TDP (Intel)	253W @ 30C ambient
TDP (AMD)	185W @ 30C ambient

Cooling Fan Specification

Model Number	DF121425BM
Dimension	140 x 140 x 25.8 mm
Bearing	Double Ball
Rated Voltage	12V
Rated Speed	At Duty Cycle 0~20%: 700± 200 RPM At Duty Cycle 50%: 1000± 10% RPM At Duty Cycle 100%: 1800±10% RPM
Input Power	At Duty Cycle 0~20%: 0.46 W At Duty Cycle 50%: 0.65 W At Duty Cycle 100%: 2.08 W
Maximum Airflow	At Duty Cycle 0~20%: 41.67 CFM At Duty Cycle 50%: 56.41 CFM At Duty Cycle 100%: 96.55 CFM
Rated Static Pressure	At Duty Cycle 0~20%: 0.60 mm-H2O At Duty Cycle 50%: 1.00 mm-H2O At Duty Cycle 100%: 2.50 mm-H2O
Acoustical Noise	At Duty Cycle 0~20%: 21.9 dBA At Duty Cycle 50%: 25.4 dBA At Duty Cycle 100%: 32.7 dBA
Lead Wire Pin Out	Pin#1- (-)

U14 | Socket Intel LGA1700/1851 | AMD AM4/AM5



Publication History:

07/30/2024: Initial Release.

(Specifications are subject to change without notice)

4

3

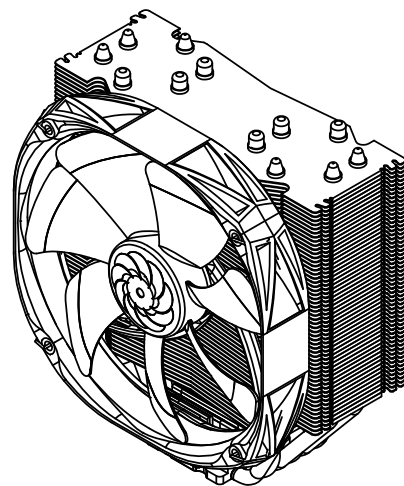
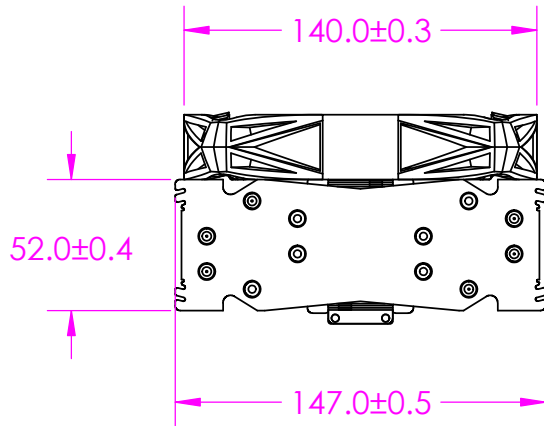
2

1

REV#	DESCRIPTION	CHECKER	DATE
0.0	INITIAL RELEASE	JUN	7/16/24

F

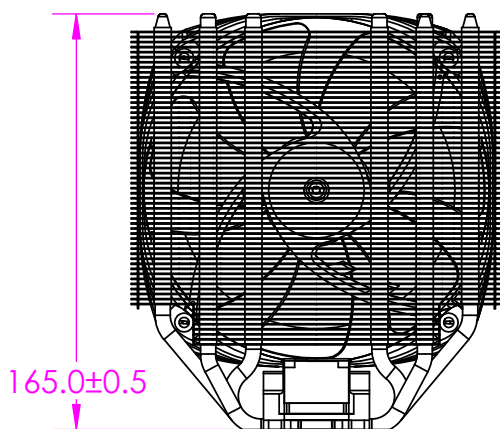
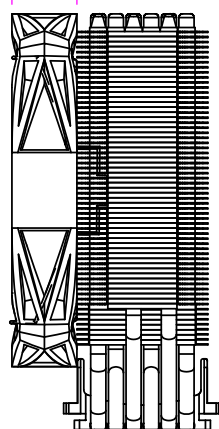
F



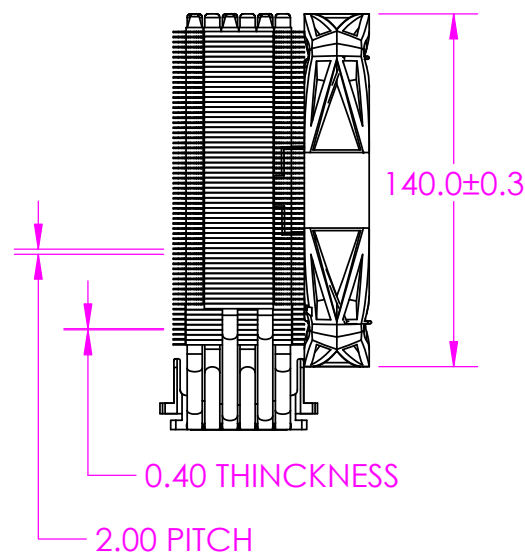
E

E

25.8±0.2



165.0±0.5



D

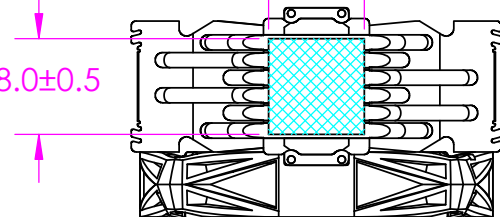
D

C

C

38.0±0.5

38.0±0.5



B

B

	NAME	DATE
DRAWN BY	JUN	7/30/2024
CHECKED BY	JUN	7/30/2024
ENG.APPROVED		
MFG.APPROVED		



DYNATRON CORPORATION

TOP MOTOR

TITLE:

U14 DESKTOP COOLER
OVERALL DIMENSION DRAWING

CONFIDENTIAL DOCUMENT

THIS DRAWING CONTAINS INFORMATION PROPRIETARY TO DYNATRON CORPORATION AND DYNAEON INDUSTRIAL CO., LTD. ANY REPRODUCTION, DISCLOSURE, OR USE OF THIS DRAWING IS EXPRESSLY PROHIBITED EXCEPT AS DYNATRON CORPORATION AND DYNAEON INDUSTRIAL CO., LTD. MAY OTHERWISE AGREE TO IN WRITING.

VIEW	
UNITS	MM

DWG. No:	DYN-BD-U14
----------	------------

REV.	0.0
------	-----

A

A

4

3

2

1

2

1

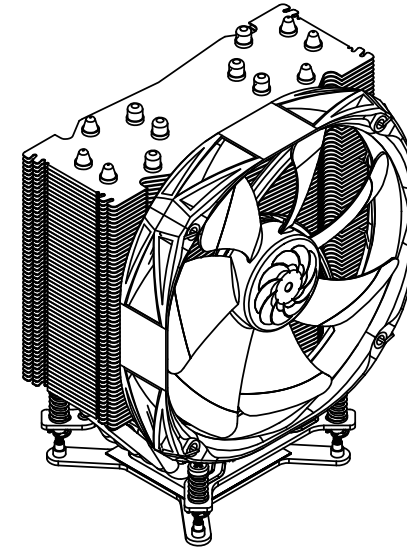
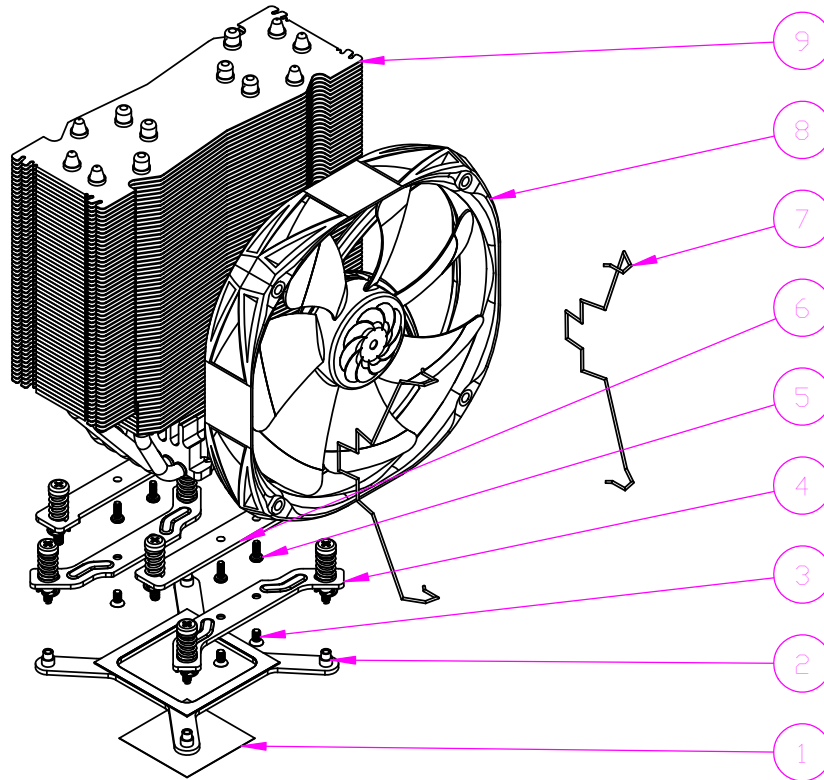
CONFIDENTIAL DOCUMENT

THIS DRAWING CONTAINS INFORMATION PROPRIETARY TO DYNATRON CORPORATION AND DYNAEON INDUSTRIAL CO., LTD. ANY REPRODUCTION, DISCLOSURE, OR USE OF THIS DRAWING IS EXPRESSLY PROHIBITED EXCEPT AS DYNATRON CORPORATION AND DYNAEON INDUSTRIAL CO., LTD. MAY OTHERWISE AGREE TO IN WRITING.

REV#	DESCRIPTION	CHECKER	DATE
0.0	INITIAL RELEASE	JUN	03/23/23

B


B



A

A

ITEM #	DESCRIPTION	MATERIAL	QTY.
9	HEATSINK	AL BASE, CU HEAT PIPE, AL FINS	1
8	FAN, DF1214025, 1800RPM	PLASTIC	1
7	WIRE CLIP	STEEL	2
6	AMD AM4/5 RETENTION+SCREW KIT	STEEL	2
5	SCREW, AMD RETENTION	STEEL	4
4	INTEL LGA1700 RETENTION+SCREW KIT	STEEL	2
3	SCREW, INTEL RETENTION	STEEL	4
2	INTEL LGA1700 BACK PLATE	STEEL, INSULATION PAD	1
1	THERMAL GREASE	SHIN-ETSU X23-8079-2	N/A

	DATE	NAME	 DYNATRON CORPORATION <small>TOP MOTOR</small>
DRAWN	7/30/2024	JUN	
CHECKED	7/30/2024	JUN	
ENG.APPR.			
MFG.APPR.			
COMMENTS:			
DWG. NO.		REV	
DYN-EP-U14		0.0	

NOTES:
THE FIGURE IS FOR REFERENCE ONLY, AND NOT FOR SCALE

2

1