



Model Number

Q11P

4U Active Cooler

PRODUCT SPECIFICATIONS

AUG 21, 2024

Table of Contents

1. REVISION HISTORY	3
2. PRODUCT DESCRIPTION	4
3. THERMAL PERFORMANCE CURVE.....	5 ~ 6
4. ASSEMBLY DRAWING	7
5. DIMENSION DRAWING	8
6. COOLING FAN SPECIFICATION	9 ~ 16
7. RoHS CERTIFICATION	17

Document History List

Rev 0.0, AUG.21, 2024: Initial release

Model Number: Q11P

- Recommend for Intel® CPU as following
 - Intel Core 12th -15th Gen, Socket FCLGA1851/1700
- Active Cooler for 4U Server & Up

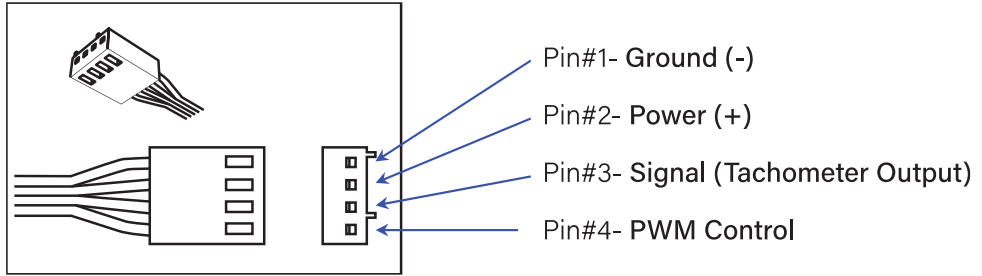
Overall Specification

Dimension (LWH)	95 x 95 x 130 mm
Weight	710 g
Material	Heatpipes with Aluminum Base and Aluminum Fin Stack
Fan	103 x 30 Side-blow fan with PWM Function
Mounting Method	Intel LGA1700 standard Mounting with Screw Sets
Backing Plate	Included
Thermal Grease	SHIT-ETSU X23-8079-2 pre-printed
TDP	Support CPU Power 195 Watts @ 30C Ambient, 253 Watts @ 25C Ambient

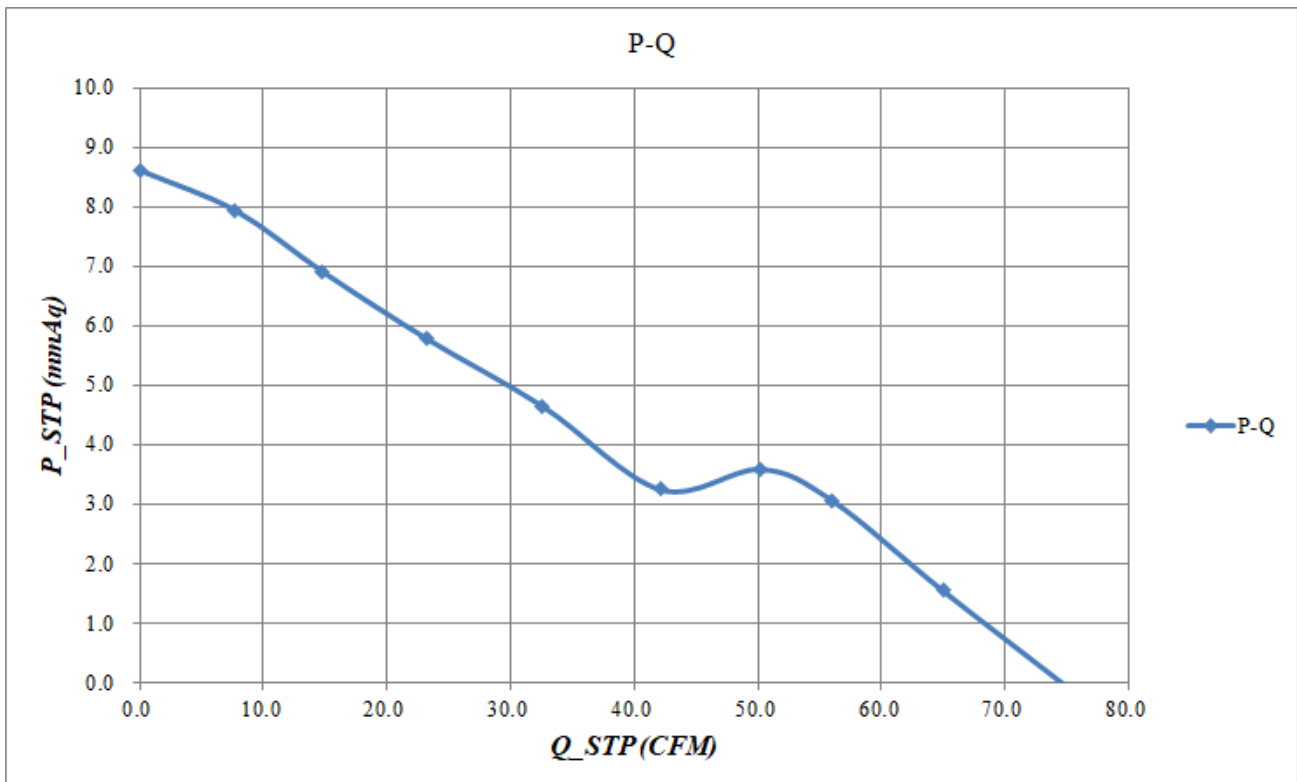
Cooling Fan Specification

Model Number	DF10330BU - PWM
Dimension	103 x 103 x 30 mm
Bearing	Double Ball
Rated Voltage	12V
Rated Speed	At Duty Cycle 0~20%: 1600± 200 RPM At Duty Cycle 50%: 2300± 10% RPM At Duty Cycle 100%: 3800±10% RPM
Input Power	At Duty Cycle 0~20%: 0.10W At Duty Cycle 50%: 0.59W At Duty Cycle 100%: 4.15W
Maximum Airflow	At Duty Cycle 0~20%: 30.64 CFM At Duty Cycle 50%: 25.26 CFM At Duty Cycle 100%: 35.03 CFM
Rated Static Pressure	At Duty Cycle 0~20%: 1.66 mm-H2O At Duty Cycle 50%: 3.20 mm-H2O At Duty Cycle 100%: 8.61 mm-H2O
Acoustical Noise	At Duty Cycle 0~20%: 18.6 dBA At Duty Cycle 50%: 29.8 dBA At Duty Cycle 100%: 41.4 dBA
Lead Wire Pin Out	Pin#1- Black (-) Pin#2- Black (+) Pin#3- Black (Tachometer/ Signal Output) Pin#4- Black (PWM Control)

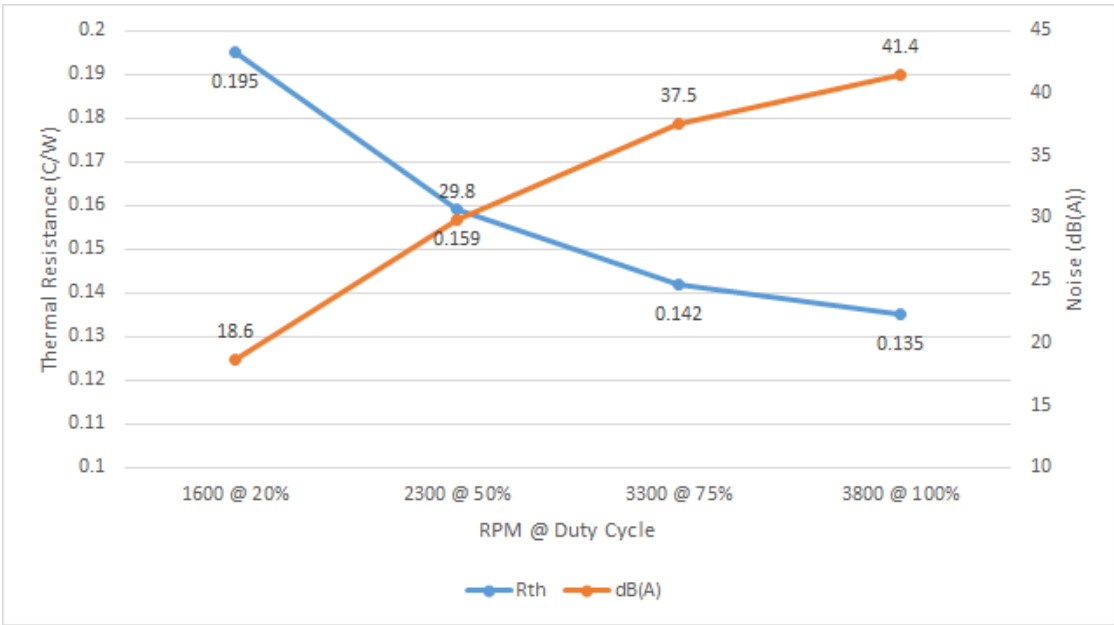
Lead Wire Pin Out Diagram :



Cooling Fan P-Q Curve at max RPM



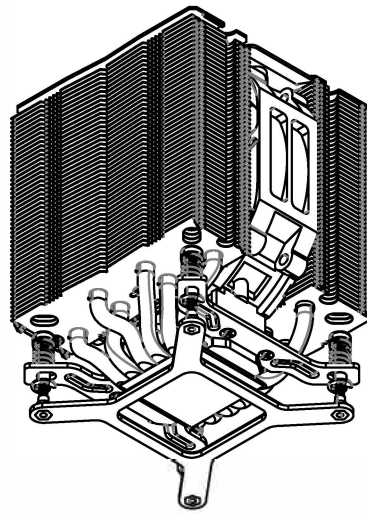
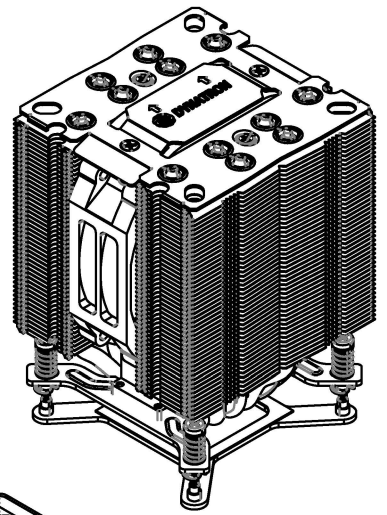
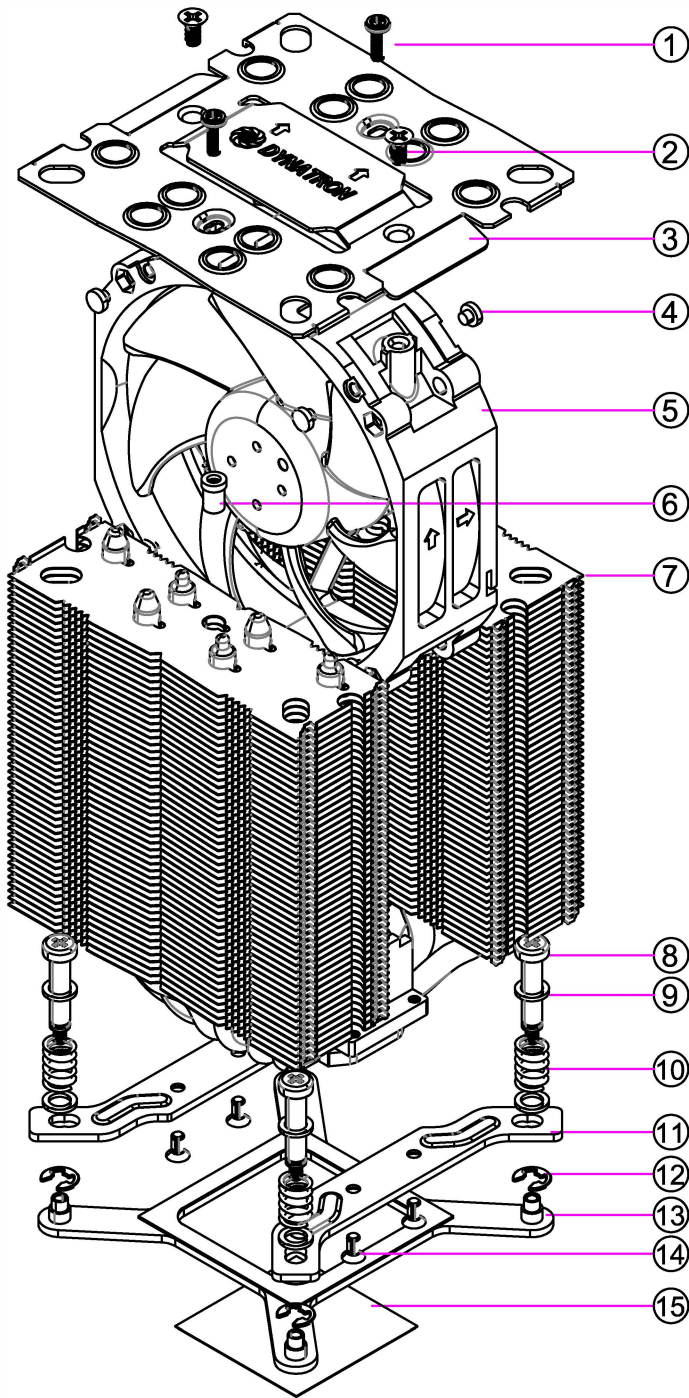
Performance Chart: Active Cooler Q11P Thermal Resistance vs. Fan Speed (Duty Cycle and RPM)



REV#	DESCRIPTION	CHECKER	DATE
0.0	Initial Release	LANG	12/06/2022

ASSEMBLY PARTS

WHOLE SET OF HEATSINK



ITEM#	DESCRIPTION	MATERIAL	QTY.
15	THERMAL GREASE, PRE-PRINT, 38*38* THK 0.2 mm	SHIN-ETSU 7762	1
14	SCREW, HEATSINK RETENTION MOUNTING (1920)	STEEL	4
13	BACKPLATE, FOR SOCKET LGA1700	SPCC	1
12	C-CLIP	STEEL	4
11	RETENTION, FOR INTEL SOCKET LGA1700	SK7	2
10	SPRING (0960)	SUS304	4
9	WASHER	STEEL	8
8	SCREW, HEATSINK MOUNTING (1200)	STEEL	4
7	HEATSINK, STACKED FIN	ALUMINUM BASE ALUMINUM FINS (6x) HEATPIPE	1
6	STUD, TOP COVER MOUNTING, M3*0.5 THREADED	ALUMINUM	2
5	COOLING FAN, 103mm x 103mm x 30mm-3800 RPM	PBT	1
4	ANTI-VIBRATION BOOT	RUBBER PLASTIC	4
3	TOP COVER, THK 1.0 mm, BLACK NICKEL PLATED	SPCC	1
2	SCREW, COOLING FAN MOUNTING Ø3.5 mm SELF-TAPPING THREADS	STEEL	2
1	SCREW, COVER MOUNTING, M3*0.5 x 9 mm L	STEEL	2

	NAME	DATE
DRAWN BY	engr	12/06/2022
CHECKED BY	LANG	12/06/2022
ENG.APPROVED		
MFG.APPROVED	-	-



DYNATRON CORPORATION

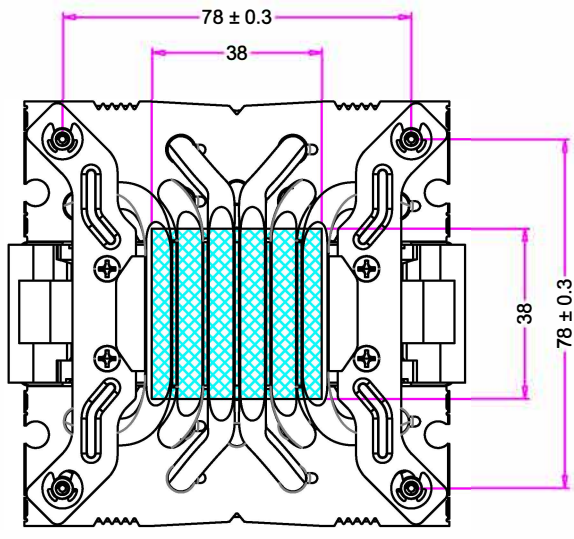
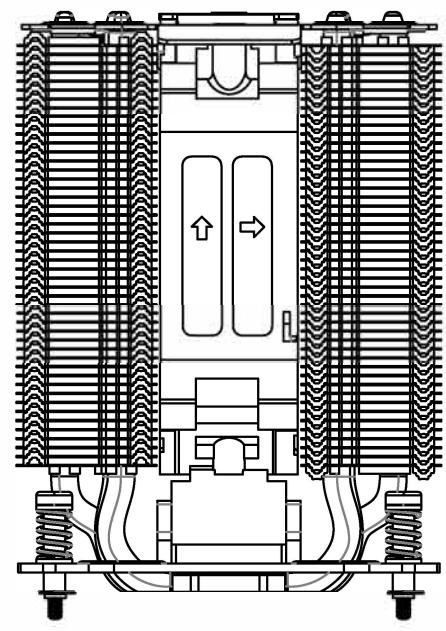
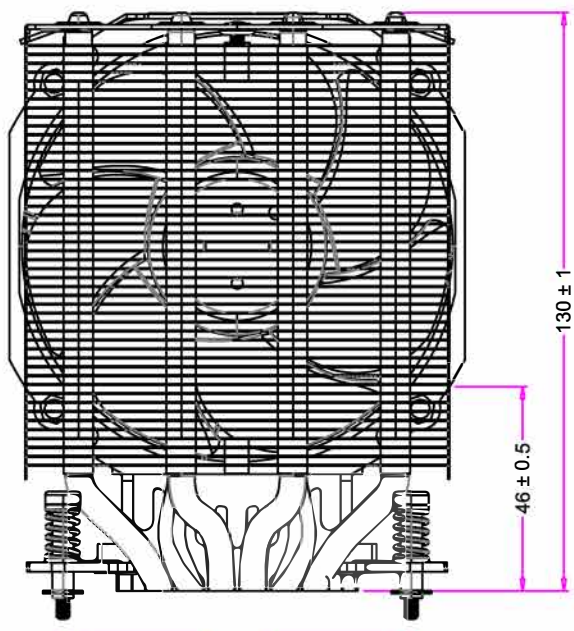
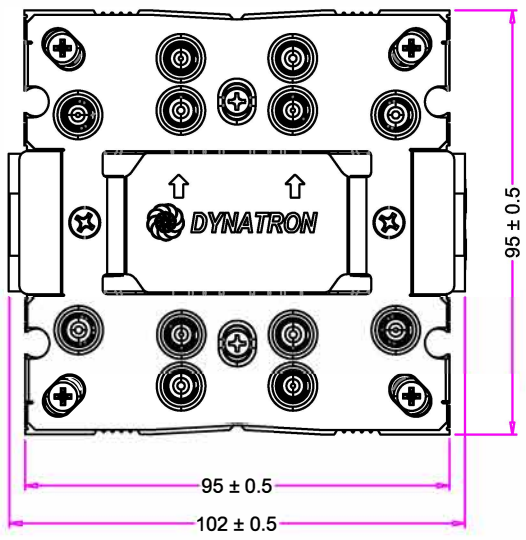
TITLE: 4U Active Cooler Model
Q11P
for Intel Socket LGA1700
Overall Dimension Drawing

CONFIDENTIAL DOCUMENT

THIS DRAWING CONTAINS INFORMATION PROPRIETARY TO DYNATRON CORPORATION AND DYNAEON INDUSTRIAL CO., LTD. ANY REPRODUCTION, DISCLOSURE, OR USE OF THIS DRAWING IS EXPRESSLY PROHIBITED EXCEPT AS DYNATRON CORPORATION AND DYNAEON INDUSTRIAL CO., LTD. MAY OTHERWISE AGREE TO IN WRITING.

VIEW		DWG. No:	REV.
UNITS	MM	DYN - EP - Q11P	0.0

REV#	DESCRIPTION	CHECKER	DATE
0.0	Initial Release	LANG	12/06/2022



	NAME	DATE
DRAWN BY	engr	12/06/2022
CHECKED BY	LANG	12/06/2022
ENG.APPROVED		
MFG.APPROVED	-	-


DYNATRON CORPORATION
 TOP MOTOR

TITLE: 4U Active Cooler Model
Q11P
 Overall Dimension Drawing

CONFIDENTIAL DOCUMENT

THIS DRAWING CONTAINS INFORMATION PROPRIETARY TO DYNATRON CORPORATION AND DYNAEON INDUSTRIAL CO., LTD. ANY REPRODUCTION, DISCLOSURE, OR USE OF THIS DRAWING IS EXPRESSLY PROHIBITED EXCEPT AS DYNATRON CORPORATION AND DYNAEON INDUSTRIAL CO., LTD. MAY OTHERWISE AGREE TO IN WRITING.

VIEW		DWG. No:	REV.
UNITS	MM	DYN - DM - Q11P	0.0