

CFexpress

4IE3 Series Ultra iSLC

Customer: _____

Customer

Part

Number: _____

Innodisk

Part

Number: _____

Innodisk

Model Name: _____

Date: _____

Innodisk Approver	Customer Approver

**Total Solution For
Industrial Flash Storage**

Features:

- PCIe Gen3 x2, NVMe 1.4 SSD
- Kioxia 3D TLC NAND
- Standard Temperature
- iPowerguard
- iDataguard
- Dynamic Thermal Management
- 256 bit AES hardware based encryption
- Support Ultra iSLC technology
- Support Write Protection (optional)
- Support TCG OPAL Function (optional)

Performance:

- Sequential Read up to 1,750 MB/s
- Sequential Write up to 1,600 MB/s

Power Requirements:

Input Voltage:	3.3V± 5%
Max Operating Wattage (R/W):	3.0W
Idle Wattage:	0.5W

Reliability:

Capacity	TBW (client)	DWPD
40GB	1924	28.9
80GB	3849	28.9
160GB	8174	30.7
320GB	16877	31.8

Data Retention	1 Year
Warranty	5 Years

1 year data retention is at NAND life end.

For warranty details, please refer to:

https://www.innodisk.com/en/support_and_service/warranty

Table of contents

1. PRODUCT OVERVIEW	8
1.1 INTRODUCTION OF INNODISK CFEXPRESS 4IE3	8
1.2 PRODUCT VIEW AND MODELS	8
1.3 PCIe INTERFACE	9
2. PRODUCT SPECIFICATIONS	9
2.1 CAPACITY AND DEVICE PARAMETERS	9
2.2 PERFORMANCE	9
2.3 ELECTRICAL SPECIFICATIONS	10
2.3.1 Power Requirement	<i>10</i>
2.3.2 Power Consumption	<i>10</i>
2.4 ENVIRONMENTAL SPECIFICATIONS	10
2.4.1 Temperature Ranges	<i>10</i>
2.4.2 Humidity	<i>10</i>
2.4.3 Shock and Vibration	<i>10</i>
2.4.4 Mean Time between Failures (MTBF)	<i>11</i>
2.5 CE AND FCC COMPATIBILITY	11
2.6 RoHS COMPLIANCE	11
2.7 RELIABILITY	12
2.8 TRANSFER MODE	12
2.9 PIN ASSIGNMENT	13
2.10 MECHANICAL DIMENSIONS	14
2.11 ASSEMBLY WEIGHT	14
2.12 SEEK TIME	14
2.13 NAND FLASH MEMORY	14
3. THEORY OF OPERATION	15
3.1 OVERVIEW	15
3.2 PCIe GEN3 x2 CONTROLLER	15
3.3 ERROR DETECTION AND CORRECTION	15
3.4 WEAR-LEVELING	16
3.5 BAD BLOCKS MANAGEMENT	16
3.6 GARBAGE COLLECTION/TRIM	16
3.7 END TO END DATA PATH PROTECTION	16
3.8 THERMAL MANAGEMENT	16
3.9 THERMAL THROTTLING	17
3.10 iDATAGUARD	17
3.11 TCG OPAL (OPTIONAL)	17
4. INSTALLATION REQUIREMENTS	18

4.1 CFEXPRESS 4IE3 INSERT DIRECTIONS	18
4.2 ELECTRICAL CONNECTIONS FOR CFEXPRESS 4IE3	18
4.3 DEVICE DRIVE	18
4.4 WRITE PROTECTION (OPTIONAL)	19
5. SMART / HEALTH INFORMATION	20
5.1 GET LOG PAGE (LOG IDENTIFIER 02H)	20
6. PART NUMBER RULE	25

REVISION HISTORY

Revision	Description	Date
V1.0	Formal Release	Feb., 2024
V1.1	Update Product Feature	Feb., 2024
V1.2	Update Transfer Mode Update Data Retention information	Sep., 2024

List of Tables

TABLE 1: DEVICE PARAMETERS	9
TABLE 2: PERFORMANCE- 112 LAYERS 3D TLC	9
TABLE 3: INNODISK CFEXPRESS 4IE3 POWER REQUIREMENT	10
TABLE 4: TYPICAL POWER CONSUMPTION	10
TABLE 5: TEMPERATURE RANGE FOR CFEXPRESS 4IE3	10
TABLE 6: SHOCK/VIBRATION TESTING FOR CFEXPRESS 4IE3	10
TABLE 7: CFEXPRESS 4IE3 MTBF	11
TABLE 8: CFEXPRESS 4IE3 ESD	11
TABLE 9: CFEXPRESS 4IE3 TBW	12
TABLE 10: INNODISK CFEXPRESS 4IE3 PIN ASSIGNMENT	13
TABLE 11: GET LOG PAGE – SMART / HEALTH INFORMATION LOG	20

List of Figures

FIGURE 1: INNODISK CFEXPRESS 4IE3 (TYPE B)	8
FIGURE 2: INNODISK CFEXPRESS 4IE3 DIAGRAM	14
FIGURE 3: INNODISK CFEXPRESS 4IE3 BLOCK DIAGRAM	15
FIGURE 4: SIGNAL SEGMENT AND POWER SEGMENT	18
FIGURE 5: WRITE PROTECT SWITCH	19

1. Product Overview

1.1 Introduction of Innodisk CFexpress 4IE3

Innodisk CFexpress 4IE3 adopts CFexpress Version 1.0 type B Form-Factor. With PCIe interface and 3D TLC NAND Flash, CFexpress 4IE3 supports PCIe Gen3 x2 and is compliant with NVMe 1.4, providing excellent top and sustained performance. Moreover, it adopts 3D TLC NAND Flash providing high endurance and reliability. With sophisticated error detection and correction (ECC) functions, the module can provide full End-to-end Data Path Protection that secures the data transmission between the host system and NAND Flash.

Innodisk CFexpress 4IE3 is a small and removable memory card providing low latency and extreme speed but with low power consumption. It is ideal for gaming, edge computing and professional digital recording.

Innodisk CFexpress 4IE3 is designed with AES engine, which is a built in controller. When controller receives the data package from host, AES engine encrypts the data package and saves the encrypted data into NAND flash. Thus, unauthorized personal has no access to decrypt the data in NAND flash.

CAUTION *TRIM must be enabled.*

TRIM enables SSD's controller to skip invalid data instead of moving. It can free up significant amount of resources, extends the lifespan of SSD by reducing erase, and write cycles on the SSD. Innodisk's handling of garbage collection along with TRIM command improves write performance on SSDs.

1.2 Product View and Models

Innodisk CFexpress 4IE3 is available in follow capacities within 3D TLC flash ICs

- CFexpress 4IE3 40GB
- CFexpress 4IE3 80GB
- CFexpress 4IE3 160GB
- CFexpress 4IE3 320GB



Figure 1: Innodisk CFexpress 4IE3 (type B)

1.3 PCIe Interface

Innodisk CFexpress 4IE3 supports PCIe Gen3 interface and compliant with NVMe 1.4. CFexpress 4IE3 can work under PCIe Gen1 and Gen2.

Most of operating systems includes NVMe in-box driver now. For more information about the driver support in each OS, please visit <https://nvmexpress.org/drivers/>.

2. Product Specifications

2.1 Capacity and Device Parameters

CFexpress 4IE3 device parameters are shown in Table 1.

Table 1: Device parameters

Capacity	Cylinders	Heads	Sectors	LBA	User Capacity(MB)
40GB	16383	16	63	78161328	38164
80GB	16383	16	63	156301488	76319
160GB	16383	16	63	312581808	152627
320GB	16383	16	63	625142448	305245

2.2 Performance

Burst Transfer Rate: 1GB/s

Table 2: Performance- 112 Layers 3D TLC

Capacity	Unit	40GB	80GB	160GB	320GB
Sequential* Read (Q32T1)	MB/s	1,450	1,750	1,750	1,750
Sequential* Write (Q32T1)		530	1,000	1,600	1,500
4KB Random** Read (Q32T16)	IOPS	54,000	107,000	436,000	226,000
4KB Random** Write (Q32T16)		128,000	241,000	339,000	337,000

Note: * Performance results are measured in Room Temperature with Out-of-Box devices and may vary depending on overall system setup.

Note: ** Performance results are based on CrystalDiskMark 8.0.1 with file size 1000MB. Unit of 4KB item is IOPS.

2.3 Electrical Specifications

2.3.1 Power Requirement

Table 3: Innodisk CFexpress 4IE3 Power Requirement

Item	Symbol	Rating	Unit
Input voltage	V _{IN}	+3.3 DC +- 5%	V

2.3.2 Power Consumption

Table 4: Typical Power Consumption

Mode	Power Consumption (W)
Read	3.0
Write	2.5
Idle	0.5
Power-on Peak	3.9

Target: 320GB CFexpress 4IE3

Note: Current results may vary depending on system components and power circuit design. Please refer to the test report for other capacities.

2.4 Environmental Specifications

2.4.1 Temperature Ranges

Table 5: Temperature range for CFexpress 4IE3

Temperature	Range
Operating	Standard Grade: 0°C to +70°C
Storage	-40°C to +85°C

2.4.2 Humidity

Relative Humidity: 10-95%, non-condensing

2.4.3 Shock and Vibration

Table 6: Shock/Vibration Testing for CFexpress 4IE3

Reliability	Test Conditions	Reference Standards
Vibration	7 Hz to 2K Hz, 20G, 3 axes	IEC 60068-2-6
Mechanical Shock	Duration: 0.5ms, 1500 G, 3 axes	IEC 60068-2-27

2.4.4 Mean Time between Failures (MTBF)

Table 7 summarizes the MTBF prediction results for various CFexpress 4IE3 configurations. The analysis was performed using a RAM Commander™ failure rate prediction.

- **Failure Rate:** The total number of failures within an item population, divided by the total number of life units expended by that population, during a particular measurement interval under stated condition.
- **Mean Time between Failures (MTBF):** A basic measure of reliability for repairable items: The mean number of life units during which all parts of the item perform within their specified limits, during a particular measurement interval under stated conditions.

Table 7: CFexpress 4IE3 MTBF

Product	Condition	MTBF (Hours)
Innodisk CFexpress 4IE3	Telcordia SR-332 GB, 25°C	>3,000,000

2.5 CE and FCC Compatibility

CFexpress 4IE3 conforms to CE and FCC requirements.

Table 8: CFexpress 4IE3 ESD

Reliability	Reference standards
Electrostatic Discharge (ESD)	IEC 61000-4-2 ESD

2.6 RoHS Compliance

CFexpress 4IE3 is fully compliant with RoHS directive.

2.7 Reliability

Table 9: CFexpress 4IE3 TBW

Parameter		Value
Flash endurance		100,000 P/E cycles
Error Correct Code		Support(LDPC)
Data Retention		Under 40°C: 1 Year at NAND Life End
TBW* (Total Bytes Written) Unit: TB		
Capacity	Sequential workload	Client workload
40GB	3,500	1,924
80GB	7,000	3,849
160GB	14,000	8,174
320GB	28,000	16,877
<p>* Note:</p> <ol style="list-style-type: none"> 1. Sequential: Mainly sequential write are estimated by PassMark Burnin Test v8.1 pro. 2. Client: Follow JESD218 Test method and JESD219A Workload, tested by ULINK. (The capacity lower than 64GB client workload is not specified in JEDEC219A, the values are estimated.) 3. Based on out-of-box performance. 		

2.8 Transfer Mode

CFexpress 4IE3 support following transfer mode:

PCIe Gen 3: 4GB/s

PCIe Gen 2: 2GB/s

PCIe Gen 1: 1GB/s

2.9 Pin Assignment

Innodisk CFexpress 4IE3 follows CFexpress 1.0 type B pinout define. See Table 10 for CFexpress 4IE3 pin assignment.

Table 10: Innodisk CFexpress 4IE3 Pin Assignment

Pin No.	Signal #	I/O
21	GND	
20	PETp0	I
19	PETn0	I
18	GND	
17	PERp0	O
16	PERn0	O
15	GND	
14	REFCLK+	I
13	REFCLK-	I
12	INS#	O
11	CLKREQ#	O
10	+3.3V	
9	PERST#	I
8	Reserved (Optional for SMBus data)	I
7	Reserved (Optional for SMBus CLK)	I
6	PETp1	I
5	PETn1	I
4	GND	
3	PERp1	O
2	PERn1	O
1	GND	

2.10 Mechanical Dimensions

CFexpress Type B

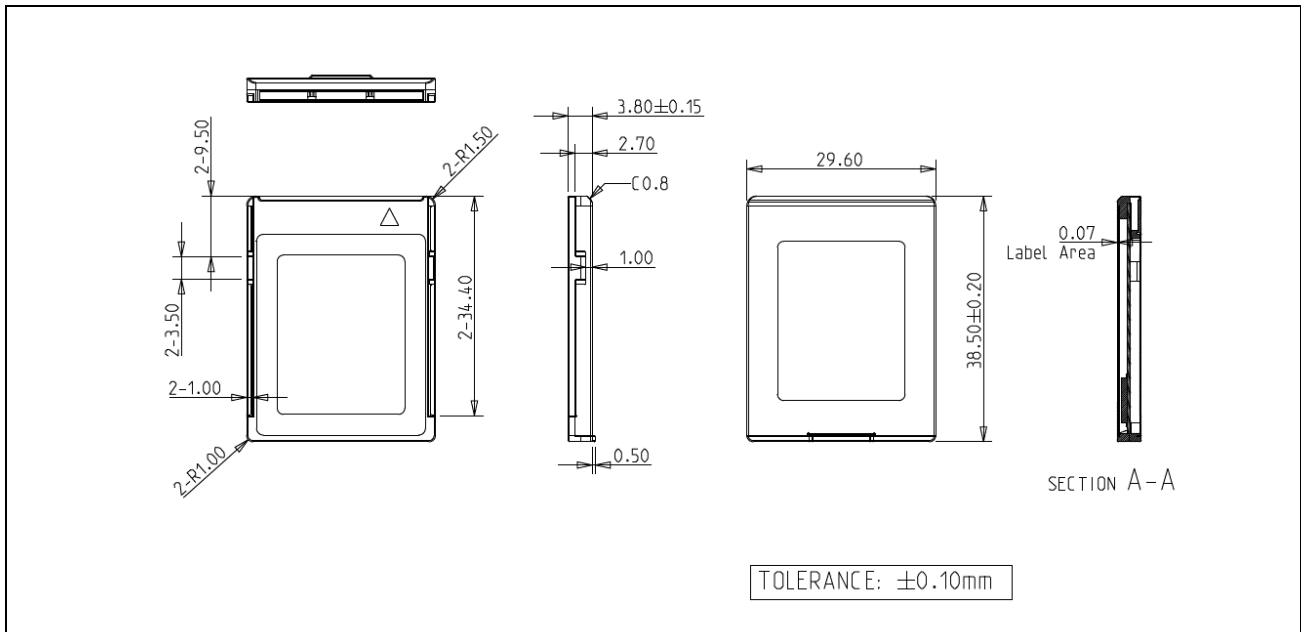


Figure 2: Innodisk CFexpress 4IE3 diagram

2.11 Assembly Weight

An Innodisk CFexpress 4IE3 within 3D TLC NAND flash ICs, 40GB's weight is 14 grams approximately.

2.12 Seek Time

Innodisk CFexpress 4IE3 is not a magnetic rotating design. There is no seek or rotational latency required.

2.13 NAND Flash Memory

Innodisk CFexpress 4IE3 uses 3D TLC NAND flash memory, which is non-volatility, high reliability and high speed memory storage.

3. Theory of Operation

3.1 Overview

Figure 3 shows the operation of Innodisk CFexpress 4IE3 from the system level, including the major hardware blocks.

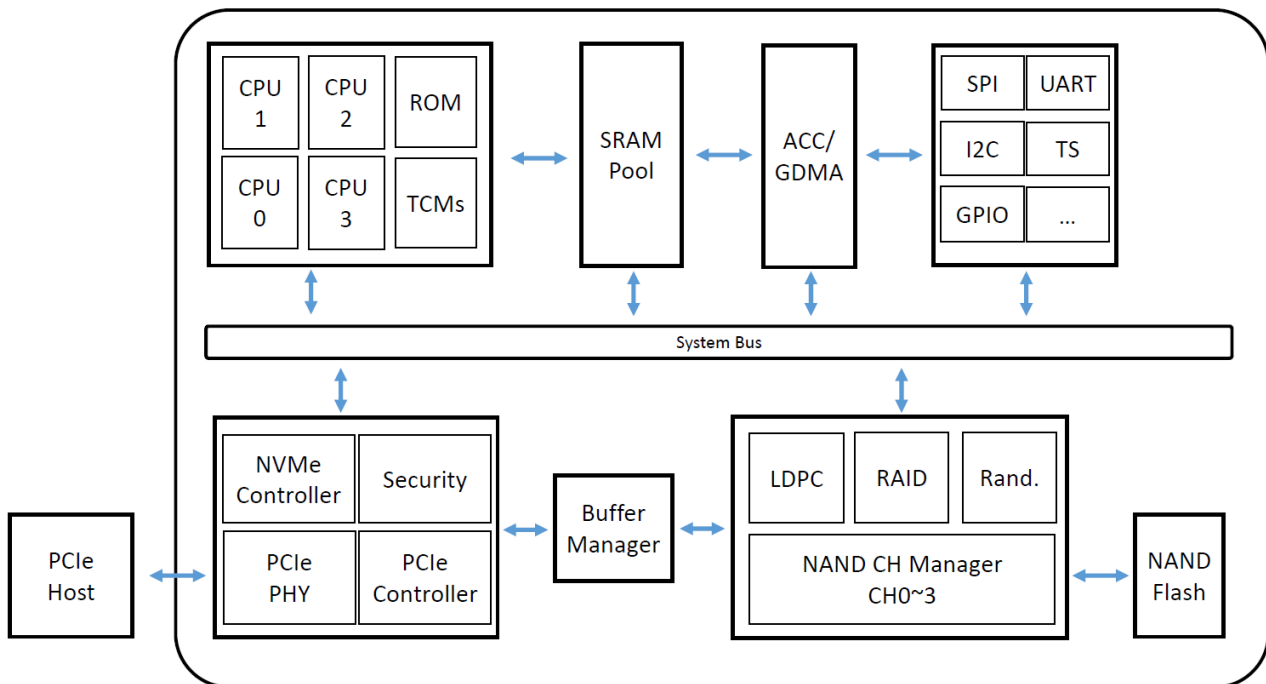


Figure 3: Innodisk CFexpress 4IE3 Block Diagram

Innodisk CFexpress 4IE3 integrates a PCIe Gen3 x2 controller and NAND flash memories. Communication with the host occurs through the host interface, using the standard NVM protocol. Communication with the flash device(s) occurs through the flash interface.

3.2 PCIe Gen3 x2 Controller

Innodisk CFexpress 4IE3 is designed with innodisk ID309, a PCIe Gen3 x2 controller which is compliant with NVMe 1.4, up to 64.0Gbps transfer speed. In addition, it is compliant with PCIe Gen1 and Gen2 specification. The controller supports up to four channels for flash interface.

3.3 Error Detection and Correction

Innodisk CFexpress 4IE3 is designed with hardware LDPC ECC engine with hard-decision and soft-decision decoding. Low-density parity-check (LDPC) codes have excellent error correcting performance close to the Shannon limit when decoded with the belief-propagation (BP) algorithm using soft-decision information.

3.4 Wear-Leveling

Flash memory can be erased within a limited number of times. This number is called the **erase cycle limit** or **write endurance limit** and is defined by the flash array vendor. The erase cycle limit applies to each individual erase block in the flash device.

Innodisk CFexpress 4IE3 uses a combination of two types of wear leveling- dynamic and static wear leveling- to distribute write cycling across an SSD and balance erase count of each block, thereby extending flash lifetime.

3.5 Bad Blocks Management

Bad Blocks are blocks that contain one or more invalid bits whose reliability are not guaranteed. The Bad Blocks may be presented while the SSD is shipped, or may develop during the life time of the SSD. When the Bad Blocks is detected, it will be flagged, and not be used anymore. The SSD implement Bad Blocks management, Bad Blocks replacement, Error Correct Code to avoid data error occurred. The functions will be enabled automatically to transfer data from Bad Blocks to spare blocks, and correct error bit.

3.6 Garbage Collection/TRIM

Garbage collection and TRIM technology is used to maintain data consistency and perform continual data cleansing on SSDs. It runs as a background process, freeing up valuable controller resources while sorting good data into available blocks, and deleting bad blocks. It also significantly reduces write operations to the drive, thereby increasing the SSD's speed and lifespan.

3.7 End to End Data Path Protection

End-to-end Data Path Protection that secures the data transmission between host system and NAND Flash. In the transmission path, no matter in or out, all buffer and storage implement Error Code Correction that optimizes the data integrity in the whole transmission of SSD.

3.8 Thermal Management

CFexpress 4IE3 has built-in thermal sensor which can detect environment temperature of SSD. In the meantime, firmware will monitor the thermal sensor to prevent any failure of overheating. During extreme temperature, firmware will adjust the data transfer behavior to maintain the SSD's reliable operation.

3.9 Thermal Throttling

Thermal throttling is a protective mechanism designed to safeguard components from potential damage caused by excessive temperatures. When an SSD approaches a critical temperature threshold, Innodisk firmware activates the thermal throttling mechanism to regulate the SSD's temperature. Thermal throttling is crucial for SSDs since it prevents drive damage, which could otherwise result in data loss. However, it's worth noting that when thermal throttling is activated, read and write tasks may experience a reduction in speed.

3.10 iDataGuard

Innodisk's iData Guard is a comprehensive data protection mechanism that functions before and after a sudden power outage to the SSD. Low-power detection terminates data writing before an abnormal power-off, while table-remapping after power-on deletes corrupt data and maintains data integrity. Innodisk's iData Guard provides effective power cycling management, preventing data stored in flash from degrading with use.

3.11 TCG OPAL (Optional)

OPAL is a set of specifications for features of data storage devices that enhance security. These specifications are published by the Trusted Computing Group's Storage Work Group. Innodisk 4IE3 is compliant with TCG OPAL 2.0(*1). The capability of TCG OPAL Security mode allows multiple users with independent access control to read/write/erase independent data areas (LBA ranges). Each locking range adjusts by authenticated authority. Note that by default there is a single "Global Range" that encompasses the whole user data area. In TCG Opal Security Mode, Revert, Revert SP and GenKey command can erase all of data including global range and locking range; in the meantime generate the new encrypted key.

*1. You need to install TCG OPAL software to implement OPAL function, which is supplied by TCG OPAL software developed company

4. Installation Requirements

4.1 CFexpress 4IE3 Insert Directions

When CFexpress card is inserted to the host slot, INS# is internally strapped to ground.

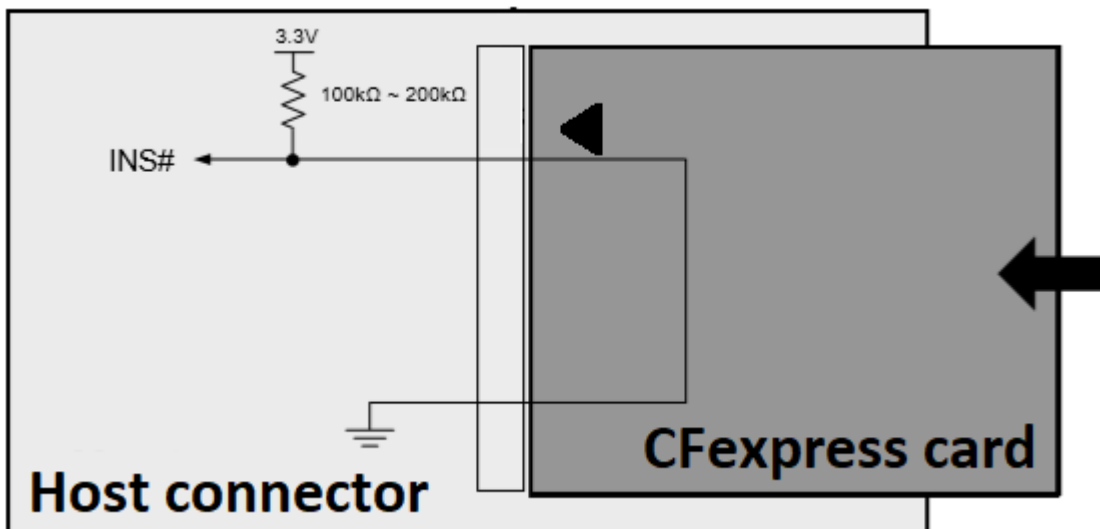


Figure 4: Signal Segment and Power Segment

4.2 Electrical Connections for CFexpress 4IE3

CFexpress 4IE3 is PCIe interface; it follows CFexpress 1.0 type B pin assignment. For pin define please refer to 2.9 Pin Assignment.

4.3 Device Drive

CFexpress 4IE3 is compliant with NVMe 1.4. To make sure NVMe storage devices can work in your system, both operation system and BIOS can support NVMe. Most of OS includes NVMe in-box driver now. For more information about the NVMe driver support in each OS, please visit the website <https://nvmexpress.org/drivers/>. For BIOS NVMe driver support please contact with your motherboard manufacturers.

4.4 Write Protection (Optional)

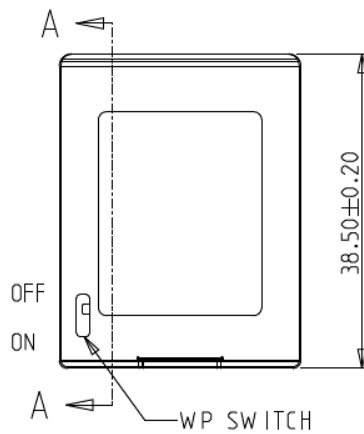


Figure 5: Write Protect Switch

Innodisk CFexpress 4IE3 within the write-protect function could prevent the device from modification and deletion. Write-protected data that is read only, that is, users could not write to it, edit it, append data to it, or delete it. When users would like to make sure that neither themselves nor others could modify or destroy the file, users could switch on write-protection. Thus, CFexpress 4IE3 could process write-protect mechanism and disable flash memory to be written-in any data. Only while the system power-off, users could switch on write-protection. Write-protection could not be switched-on, after OS booting.

5. SMART / Health Information

This log page is used to provide SMART and general health information. The information provided is over the life of the controller and is retained across power cycles. More details about Set Features command, please refer to NVM Express 1.4

5.1 Get Log Page (Log Identifier 02h)

Innodisk 4IE3 series SMART / Health Information Log are listed in following table.

Table 11: Get Log Page – SMART / Health Information Log

Bytes	Description																
0	<p>Critical Warning: This field indicates critical warnings for the state of the controller. Each bit corresponds to a critical warning type; multiple bits may be set to '1'. If a bit is cleared to '0', then that critical warning does not apply. Critical warnings may result in an asynchronous event notification to the host. Bits in this field represent the state at the time the Get Log Page command is processed and may not reflect the state at the time a related asynchronous event notification, if any, occurs or occurred.</p> <table border="1" data-bbox="308 1070 1433 1953"> <thead> <tr> <th data-bbox="308 1070 512 1167">Bit</th> <th data-bbox="512 1070 1433 1167">Definition</th> </tr> </thead> <tbody> <tr> <td data-bbox="308 1167 512 1263">0</td> <td data-bbox="512 1167 1433 1263">If set to '1', then the available spare capacity has fallen below the threshold.</td> </tr> <tr> <td data-bbox="308 1263 512 1408">1</td> <td data-bbox="512 1263 1433 1408">If set to '1', then a temperature is: a) greater than or equal to an over temperature threshold. b) less than or equal to an under temperature threshold.</td> </tr> <tr> <td data-bbox="308 1408 512 1554">2</td> <td data-bbox="512 1408 1433 1554">If set to '1', then the NVM subsystem reliability has been degraded due to significant media related errors or any internal error that degrades NVM subsystem reliability.</td> </tr> <tr> <td data-bbox="308 1554 512 1700">3</td> <td data-bbox="512 1554 1433 1700">If set to '1', then all of the media has been placed in read only mode. The controller shall not set this bit to '1' if the read-only condition on the media is a result of a change in the write protection state of a namespace.</td> </tr> <tr> <td data-bbox="308 1700 512 1796">4</td> <td data-bbox="512 1700 1433 1796">If set to '1', then the volatile memory backup device has failed. This field is only valid if the controller has a volatile memory backup solution.</td> </tr> <tr> <td data-bbox="308 1796 512 1892">5</td> <td data-bbox="512 1796 1433 1892">If set to '1', then the Persistent Memory Region has become read-only or unreliable.</td> </tr> <tr> <td data-bbox="308 1892 512 1953">7:6</td> <td data-bbox="512 1892 1433 1953">Reserved</td> </tr> </tbody> </table>	Bit	Definition	0	If set to '1', then the available spare capacity has fallen below the threshold.	1	If set to '1', then a temperature is: a) greater than or equal to an over temperature threshold. b) less than or equal to an under temperature threshold.	2	If set to '1', then the NVM subsystem reliability has been degraded due to significant media related errors or any internal error that degrades NVM subsystem reliability.	3	If set to '1', then all of the media has been placed in read only mode. The controller shall not set this bit to '1' if the read-only condition on the media is a result of a change in the write protection state of a namespace.	4	If set to '1', then the volatile memory backup device has failed. This field is only valid if the controller has a volatile memory backup solution.	5	If set to '1', then the Persistent Memory Region has become read-only or unreliable.	7:6	Reserved
Bit	Definition																
0	If set to '1', then the available spare capacity has fallen below the threshold.																
1	If set to '1', then a temperature is: a) greater than or equal to an over temperature threshold. b) less than or equal to an under temperature threshold.																
2	If set to '1', then the NVM subsystem reliability has been degraded due to significant media related errors or any internal error that degrades NVM subsystem reliability.																
3	If set to '1', then all of the media has been placed in read only mode. The controller shall not set this bit to '1' if the read-only condition on the media is a result of a change in the write protection state of a namespace.																
4	If set to '1', then the volatile memory backup device has failed. This field is only valid if the controller has a volatile memory backup solution.																
5	If set to '1', then the Persistent Memory Region has become read-only or unreliable.																
7:6	Reserved																

1:2	<p>Composite Temperature: Contains a value corresponding to a temperature in degrees Kelvin that represents the current composite temperature of the controller and namespace(s) associated with that controller. The manner in which this value is computed is implementation specific and may not represent the actual temperature of any physical point in the NVM subsystem. The value of this field may be used to trigger an asynchronous event.</p> <p>Warning and critical overheating composite temperature threshold values are reported by the WCTEMP and CCTEMP fields in the Identify Controller data structure.</p>												
3	<p>Available Spare: Contains a normalized percentage (0 to 100%) of the remaining spare capacity available.</p>												
4	<p>Available Spare Threshold: When the Available Spare falls below the threshold indicated in this field, an asynchronous event completion may occur. The value is indicated as a normalized percentage (0 to 100%). The values 101 to 255 are reserved.</p>												
5	<p>Percentage Used: Contains a vendor specific estimate of the percentage of NVM subsystem life used based on the actual usage and the manufacturer’s prediction of NVM life. A value of 100 indicates that the estimated endurance of the NVM in the NVM subsystem has been consumed, but may not indicate an NVM subsystem failure. The value is allowed to exceed 100. Percentages greater than 254 shall be represented as 255. This value shall be updated once per power-on hour (when the controller is not in a sleep state).</p> <p>Refer to the JEDEC JESD218A standard for SSD device life and endurance measurement techniques.</p>												
6	<p>Endurance Group Critical Warning Summary: This field indicates critical warnings for the state of Endurance Groups. Each bit corresponds to a critical warning type, multiple bits may be set to ‘1’. If a bit is cleared to ‘0’, then that critical warning does not apply to any Endurance Group. Critical warnings may result in an asynchronous event notification to the host. Bits in this field represent the current associated state and are not persistent.</p> <p>If a bit is set to ‘1’ in one or more Endurance Groups, then the corresponding bit shall be set to ‘1’ in this field.</p> <table border="1" data-bbox="304 1458 1433 2063"> <thead> <tr> <th data-bbox="304 1458 512 1554">Bit</th> <th data-bbox="512 1458 1433 1554">Definition</th> </tr> </thead> <tbody> <tr> <td data-bbox="304 1554 512 1653">0</td> <td data-bbox="512 1554 1433 1653">If set to ‘1’, then the available spare capacity of one or more Endurance Groups has fallen below the threshold.</td> </tr> <tr> <td data-bbox="304 1653 512 1715">1</td> <td data-bbox="512 1653 1433 1715">Reserved</td> </tr> <tr> <td data-bbox="304 1715 512 1861">2</td> <td data-bbox="512 1715 1433 1861">If set to ‘1’, then the reliability of one or more Endurance Groups has been degraded due to significant media related errors or any internal error that degrades NVM subsystem reliability.</td> </tr> <tr> <td data-bbox="304 1861 512 2007">3</td> <td data-bbox="512 1861 1433 2007">If set to ‘1’, then the namespaces in one or more Endurance Groups have been placed in read only mode not as a result of a change in the write protection state of a namespace.</td> </tr> <tr> <td data-bbox="304 2007 512 2063">7:4</td> <td data-bbox="512 2007 1433 2063">Reserved</td> </tr> </tbody> </table>	Bit	Definition	0	If set to ‘1’, then the available spare capacity of one or more Endurance Groups has fallen below the threshold.	1	Reserved	2	If set to ‘1’, then the reliability of one or more Endurance Groups has been degraded due to significant media related errors or any internal error that degrades NVM subsystem reliability.	3	If set to ‘1’, then the namespaces in one or more Endurance Groups have been placed in read only mode not as a result of a change in the write protection state of a namespace.	7:4	Reserved
Bit	Definition												
0	If set to ‘1’, then the available spare capacity of one or more Endurance Groups has fallen below the threshold.												
1	Reserved												
2	If set to ‘1’, then the reliability of one or more Endurance Groups has been degraded due to significant media related errors or any internal error that degrades NVM subsystem reliability.												
3	If set to ‘1’, then the namespaces in one or more Endurance Groups have been placed in read only mode not as a result of a change in the write protection state of a namespace.												
7:4	Reserved												

7:31	Reserved
32:47	<p>Data Units Read: Contains the number of 512 byte data units the host has read from the controller as part of processing a SMART Data Units Read Command; this value does not include metadata. This value is reported in thousands (i.e., a value of 1 corresponds to 1,000 units of 512 bytes read) and is rounded up (e.g., one indicates that the number of 512 byte data units read is from 1 to 1,000, three indicates that the number of 512 byte data units read is from 2,001 to 3,000).</p> <p>Refer to the specific I/O Command Set specification for the list of SMART Data Units Read Commands that affect this field.</p> <p>A value of 0h in this field indicates that the number of SMART Data Units Read is not reported.</p>
48:63	<p>Data Units Written: Contains the number of 512 byte data units the host has written to the controller as part of processing a User Data Out Command; this value does not include metadata. This value is reported in thousands (i.e., a value of 1 corresponds to 1,000 units of 512 bytes written) and is rounded up (e.g., one indicates that the number of 512 byte data units written is from 1 to 1,000, three indicates that the number of 512 byte data units written is from 2,001 to 3,000).</p> <p>Refer to the specific I/O Command Set specification for the list of User Data Out Commands that affect this field.</p> <p>A value of 0h in this field indicates that the number of Data Units Written is not reported.</p>
64:79	<p>Host Read Commands: Contains the number of SMART Host Read Commands completed by the controller.</p> <p>Refer to the specific I/O Command Set specification for the list of SMART Host Read Commands that affect this field.</p>
80:95	<p>Host Write Commands: Contains the number of User Data Out Commands completed by the controller.</p> <p>Refer to the specific I/O Command Set specification for the list of User Data Out Commands that affect this field.</p>
96:111	<p>Controller Busy Time: Contains the amount of time the controller is busy with I/O commands. The controller is busy when there is a command outstanding to an I/O Queue (specifically, a command was issued via an I/O Submission Queue Tail doorbell write and the corresponding completion queue entry has not been posted yet to the associated I/O Completion Queue). This value is reported in minutes.</p>
112:127	Power Cycles: Contains the number of power cycles.
128:143	Power On Hours: Contains the number of power-on hours. This may not include time that the controller was powered and in a non-operational power state.
144:159	Unsafe Shutdowns: Contains the number of unsafe shutdowns. This count is incremented when the controller does not report it is safe to power down prior to loss of main power.

160:175	Media and Data Integrity Errors: Contains the number of occurrences where the controller detected an unrecovered data integrity error. Errors such as uncorrectable ECC, CRC checksum failure, or LBA tag mismatch are included in this field. Errors introduced as a result of a Write Uncorrectable command (refer to the NVM Command Set Specification) may or may not be included in this field.
176:191	Number of Error Information Log Entries: Contains the number of Error Information log entries over the life of the controller.
192:195	Warning Composite Temperature Time: Contains the amount of time in minutes that the controller is operational and the Composite Temperature is greater than or equal to the Warning Composite Temperature Threshold (WCTEMP) field and less than the Critical Composite Temperature Threshold (CCTEMP) field in the Identify Controller data structure in Figure 275. If the value of the WCTEMP or CCTEMP field is 0h, then this field is always cleared to 0h regardless of the Composite Temperature value.
196:199	Critical Composite Temperature Time: Contains the amount of time in minutes that the controller is operational and the Composite Temperature is greater than or equal to the Critical Composite Temperature Threshold (CCTEMP) field in the Identify Controller data structure. If the value of the CCTEMP field is 0h, then this field is always cleared to 0h regardless of the Composite Temperature value.
200:201	Temperature Sensor 1: Contains the current temperature reported by the embedded thermal sensor in the controller.
202:203	Temperature Sensor 2: Contains the current temperature reported by the embedded thermal sensor in the NAND Flash (Channel #0 and CE #0).
204:205	Temperature Sensor 3: Contains the current temperature reported by the embedded thermal sensor in the NAND Flash (Channel #0 and CE #0).
206:207	Temperature Sensor 4: Contains the current temperature reported by the embedded thermal sensor in the NAND Flash (Last channel and CE #0).
208:209	Temperature Sensor 5: Contains the current temperature reported by temperature sensor 5.
210:211	Temperature Sensor 6: Contains the current temperature reported by temperature sensor 6.
212:213	Temperature Sensor 7: Contains the current temperature reported by temperature sensor 7.
214:215	Temperature Sensor 8: Contains the current temperature reported by temperature sensor 8.
216:219	Thermal Management Temperature 1 Transition Count: Contains the number of times the controller transitioned to lower power active power states or performed vendor specific thermal management actions while minimizing the impact on performance in order to attempt to reduce the Composite Temperature because of the host controlled thermal management feature.
220:223	Thermal Management Temperature 2 Transition Count: Contains the number of times the controller transitioned to lower power active power states or performed vendor specific thermal management actions regardless of the impact on performance (e.g., heavy throttling) in order to attempt to reduce the Composite Temperature because of the host controlled thermal management feature.

224:227	Total Time For Thermal Management Temperature 1: Contains the number of seconds that the controller had transitioned to lower power active power states or performed vendor specific thermal management actions while minimizing the impact on performance in order to attempt to reduce the Composite Temperature because of the host controlled thermal management feature.
228:231	Total Time For Thermal Management Temperature 2: Contains the number of seconds that the controller had transitioned to lower power active power states or performed vendor specific thermal management actions regardless of the impact on performance (e.g., heavy throttling) in order to attempt to reduce the Composite Temperature because of the host controlled thermal management feature.
232:337	Reserved
338:345	Later Bad Count
346:353	Power-On hours Count
354:361	Drive Power Cycle Count
362:369	Total Bad Block Count
370:377	User Max Erase Count
378:385	User Avg Erase Count
386:393	Device Life
394:401	Spare Block Count
402:409	Program Fail Count
410:417	Erase Fail Count
418:425	Unexpected Power Loss Count
426:433	Temperature (Kelvin - K °K)
434:441	Flash ID
442:449	Later Bad Block Info (Read / Write / Erase)
450:457	Total LBAs Written (unit = 32MB)
458:465	Total LBAs Read (unit = 32MB)

6. Part Number Rule

CODE	1	2	3	4	5	6	7	8	9	10	11	12	13	14	15	16	17	18	19	20	21
	D	H	C	F	X	-	4	0	G	D	H	1	K	C	A	D	F	(W)	-	X	X
Definition																					
Code 1st (Disk)											Code 14th (Operation Temperature)										
D : Disk											C: Standard Grade (0°C ~ +70°C)										
Code 2nd (Feature set)																					
H : iSLC series																					
Code 3rd ~5th (Form factor)											Code 15th (Internal control)										
CFX: CFexpress (Type B)											A~Z: BGA PCB version.										
Code 7th ~9th (Capacity)											Code 16th (Channel of data transfer)										
40G: 40GB											D: Dual Channels										
80G: 80GB											Q: Quad Channels										
A60: 160GB																					
D2G: 320GB											Code 17th (Flash Type)										
											F: Kioxia 3D TLC NAND										
Code 10th ~12th (Controller)											Code 18th (Optional Function)										
DH1: PCIe 4IE3 series											W: H/W Write Protect function										
DH2: PCIe 4IE3 series with TCG OPAL function																					
Code 13th (Flash mode)											Code 20th ~ (Customize code)										
K: 112 layers 3D TLC																					