

# EPD-210

## 2.9" ePaper Display (Batteryless)

NEW



EPD-210-001 ▲

EPD-210-101 ▲

### Features

- 2.9" ePaper with black and white colors
- Sunlight-readable display with 180-degree viewing angle
- Supports data transmissions via NFC
- Batteryless design, powered by reader
- Flexible fastener that can be easily customized for various applications
- Ready NFC Agent to communicate with EPD server for automation process

### Introduction

EPD-210 is an ePaper Display that represents a new generation of environmentally friendly products. The EPD-210 ePaper Display is designed to replace traditional printed paper and does not require power to maintain the information display. The displayed content can be immediately updated via a handheld NFC device or reader for convenient usage. Additionally, the EPD-210 ePaper Display can be employed as visitor badges, manufacturing route cards, and logistics labels, and used at exhibitions and factories or in education and IoT applications.

### Specifications

Display Size	2.9"
Display Area	66.9 x 29.06 mm (2.63 x 1.14 in)
Display Colors	Black and white
Resolution	296 x 128 pixels
DPI	112
Dimensions	101 x 58 x 4.0 mm (3.97 x 2.28 x 0.15 in) without fastener
Weight	36 g (0.079 lb)
Protocols	<b>EPD-210-001 &amp; EPD-210-101 &amp; EPD-210-004 &amp; EPD-210-104</b> ISO/IEC 15693 type (ePaper image / User data read and write) ISO/IEC 14443 type (read only) <b>EPD-210-102 &amp; EPD-210-003</b> ISO/IEC 15693 type (ePaper image / User data read and write)
Frequency	13.56 MHz
Power Supply	Powered by reader
Operating Temperature	0 ~ 40 °C (32 ~ 104 °F)
IP Rating	IP57
User Data	320bytes
EPD Image Storage	4736bytes

### NFC Writer / Reader



#### EPR-210

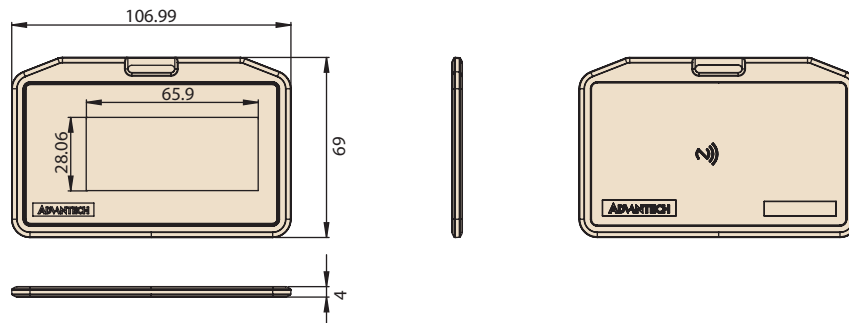
##### Features

- Part Number: LEO-D30-RD1
- Protocols: ISO 15693/14443(A/B), FeliCa, Mifare
- Frequency: 13.56 MHz (+/-7 KHz)
- RF Output Power: 200 mW
- RF Output Impedance: 50 Ohm
- Input Voltage: 5 V<sub>DC</sub>
- Host Interface: Micro USB
- Operating Temperature: 0 ~ 70 °C (32 ~ 158 °F)
- Dimensions: 121.5 x 74.2 x 14.5 mm (4.78 x 2.92 x 0.57 in)
- Weight: 37 g (0.081 lb)

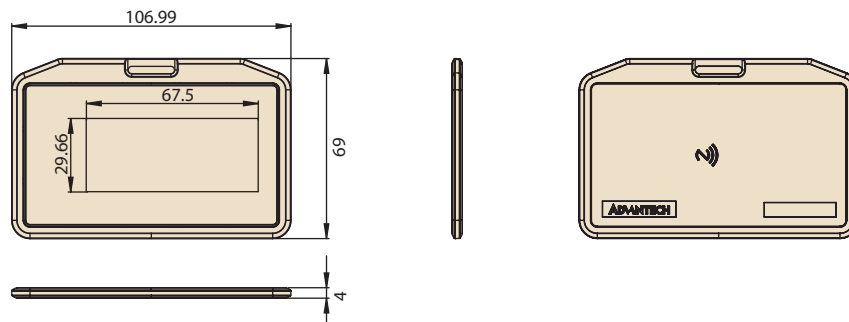
## Dimensions

Unit: mm

### EPD-210-001



### EPD-210-101



## Ordering Information

Part Number	Display			Communication			Appearance	
	Size	Colors	Type	ISO/IEC 15693 type	ISO/IEC 14443 type	Frequency	Front/Back	Fastener
EPD-210-001	2.9"	Black and white	NFC	V	V	13.56 MHz	white matte	blue
EPD-210-101	2.9"	Black and white	NFC	V	V	13.56 MHz	white matte	sky blue
EPD-210-003	2.9"	Black and white	NFC	V	NA	13.56 MHz	white matte	Blue
EPD-210-102	2.9"	Black and white	NFC	V	NA	13.56 MHz	white matte	NA
EPD-210-004	2.9	Black and white	NFC	v	v	13.56 MHz	white glossy	Blue
EPD-210-104	2.9	Black and white	NFC	v	v	13.56 MHz	white glossy	Sky blue