

M.2 (P30) 4TE2

HIGHLIGHT FEATURES

- PCIe Gen 4 x4, NVMe 1.4
- Excellent data transfer speed
- Support iPower Guard & iData Guard
- 256 bit AES hardware based encryption
- Support TCG OPAL function (optional)

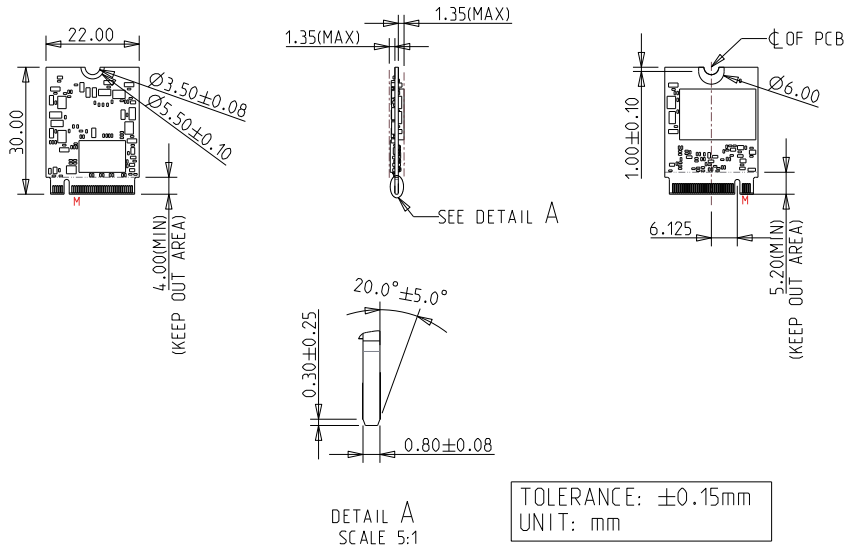


SPECIFICATIONS

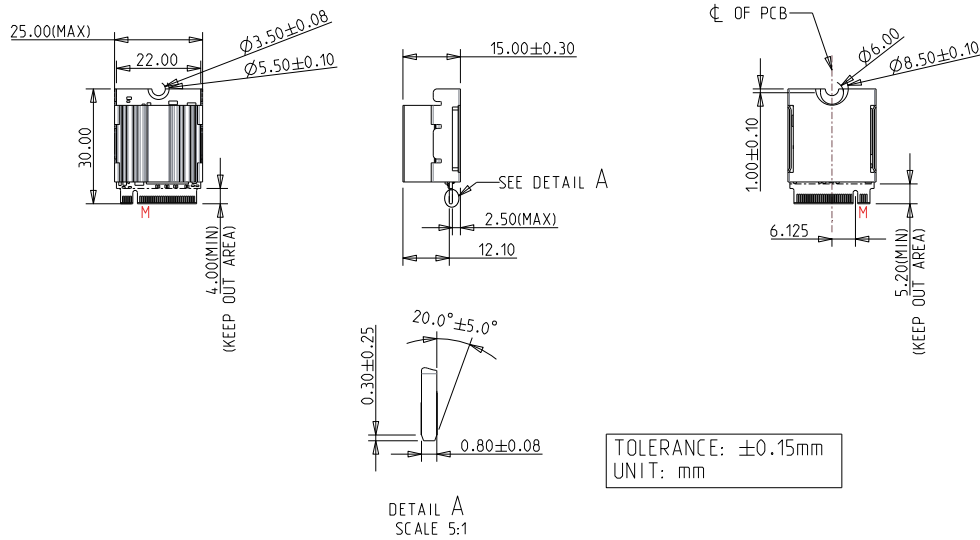
Model Name	M.2 (P30) 4TE2
Flash Type	3D TLC
Interface	PCIe Gen 4 x4
Form Factor	M.2
Capacity	128GB ~ 1TB
Sequential R / W (MB/sec, max.)	1,700 / 1,500
P/E Cycle	3,000
TBW (Max.)	852
Storage Temperature	-40°C ~ 85°C
Max. Power Consumption	3.1W
Max. Channels	2
External DRAM Buffer	N
H/W Write Protect	Optional
S.M.A.R.T.	Y
AES	Optional
TCG Opal	Optional
Dimension (W x L x H/mm)	22.0 x 30.0 x 3.5 25.0 x 30.0 x 15.0 (WT with heatsink)
Vibration	20G@[7 ~ 2000Hz]
Shock	1500G@0.5ms
MTBF	>3 million hours
Warranty	3 Years

DIAGRAM

ST



WT



ORDER INFO.

	Standard Grade (0°C ~ 70°C)	Industrial Grade (-40°C ~ 85°C)
128GB	DEM23-A28DF1KCADF	DEM23-A28DF1KWADFH
256GB	DEM23-B56DF1KCADF	DEM23-B56DF1KWADFH
512GB	DEM23-C12DF1KCADF	DEM23-C12DF1KWADFH
1TB	DEM23-01TDF1KCADF	-

For TCG OPAL function, the PN Code 10th~12th will be DF2.

HQ (Taiwan) T +886-2-7703-3000 / E sales@innodisk.com

CN T +86-755-2167-3689 / E sales_cn@innodisk.com

US T +1-510-770-9421 / E usasales@innodisk.com

EU T +31-40-3045-400 / E eusales@innodisk.com

JP T +81-3-6667-0161 / E jpsales@innodisk.com

innodisk