

EPD-770 & EPD-780

2 x 13.3" ePaper Dual Display Device

NEW



Features

- 2 x 13.3" ePaper panel display: EPD-770 & EPD-780 (black/white)
- Supports -15 ~ 65 °C operating temperatures
- High-performance integrated system
- IP66 water- & dust- proof enclosure
- Featuring the ARK ePaper Manager Server
- Data transmission interface in Wi-Fi, 4G/LTE card, or USB cable
- Front cover glass with IK08 , UV-cut and direct bonding on ePaper

Introduction

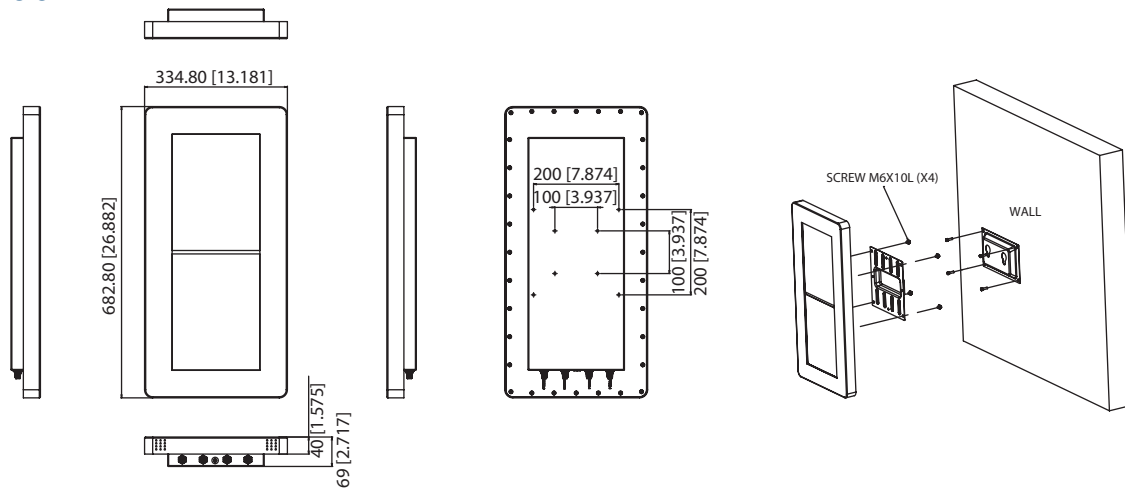
The Advantech EPD-770 & EPD-780 can support hospital, factory, smart city and retail applications; and features optimized power consumption and device management. In addition, application layers can acquire data easily and communicate with ePaper devices through an ePaper manager server. This EPD total solutions enables SI to focus on application development.

Specifications

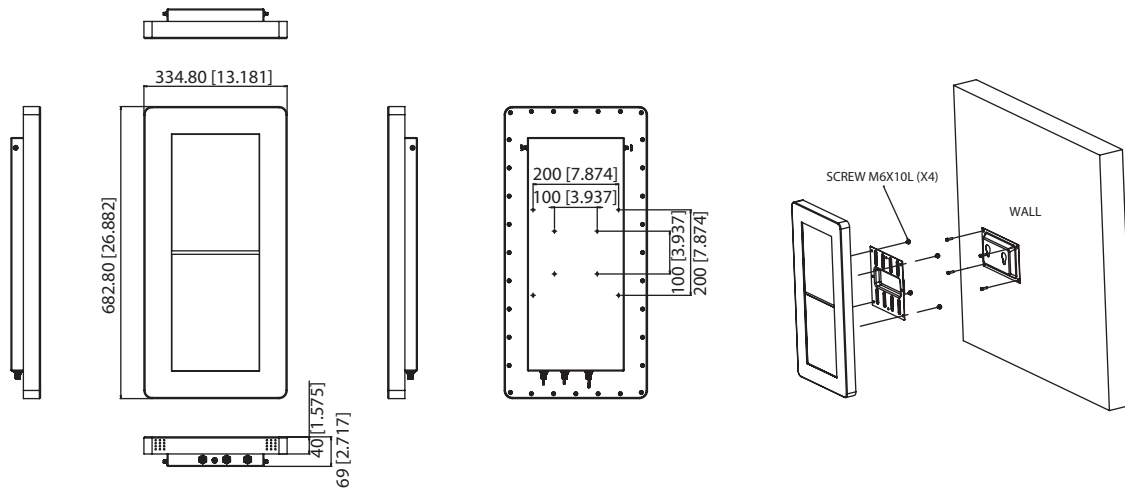
ePaper Display	Screen Size	582 x 234 mm
	Resolution	2 x 1600x1200 pixels
	Color	16 gray level
System IO		2 x USB (M12 type) for data transmission for EPD-780 1 x Power (M12 type) for EPD-770 1 x LAN (M12 type) for EPD-770
Environment	Operational Temperature	-15 ~ 65 °C (B/W)
	Non-Operational Temp.	-25 ~ 70 °C (B/W)
	Operating Humidity	5 ~ 80% relative humidity, non-condensing
Housing Mechanical (preliminary)	Material Type	IP66 rated plastic housing defends against water and dust ingress (1 year warranty)
	Dimension	682 x 334 x 69 mm
	Weight	10.7 KG
EPD and Cover Glas	Lamination OCA	UV cut & explosion-proof glass
	IK Level	IK08
Power		12V/3A for EPD-770 5V/2A for EPD-780

Note: The theoretical throughput of 802.11n on device is 180Mbps

EPD-780



EPD-770



Ordering Information

Model Name	Part No.	Description
EPD-770	EPD-770-102	13.3" black/white ePaper dual display device solution in 2.4G Wi-Fi without battery
	EPD-770-103	13.3" black/white ePaper dual display device solution in 4G/LTE without battery
EPD-780	EPD-780-102	13.3" black/white ePaper dual display device solution with USB interface without battery

Development Kit Ordering Information

	Part No.	Description
EPD device	EPD-780-102 or EPD-770-102 or EPD-770-103	13.3" black/white ePaper dual display device
DeviceOn/ ePaper Server	ARK-1123H-EP2A2 for Entry	Ubuntu 18.4/1T HD/8G RAM with ePaper Manager Software featuring 100 x device licenses

* Ordering EPD device, and ARK ePaper Manager Server one each to try Advantech EPD display solution

Packing List

Model Name	Part No.	Description
EPD-770	EPD-770-102	1. 13.3" black/white dual ePaper display 2. 1 x ePaper driving board and housing 3. 2.4G Wi-Fi
	EPD-770-103	1. 13.3" black/white dual ePaper display 2. 1 x ePaper driving board and housing 3. AIW-343 4G/LTE card
EPD-780	EPD-780-102	1. 13.3" black/white dual ePaper display 2. 1 x ePaper driving board and housing 3. M12 USB Type-A 0.6m (external) 4 x 1700031354-01

* All E Ink Panel inspection criteria refer to E Ink CAS & Inspection standard document.

Optional Accessories

Part No.	Description
1700031355-01	M12 USB Type-A 1m (external)