



W5

1U Passive Air Cooler

PRODUCT SPECIFICATIONS

Specification Version: 05/07/2024

(Specifications are subject to change without notice)

W5 | LGA 4926**Model Number: W5**

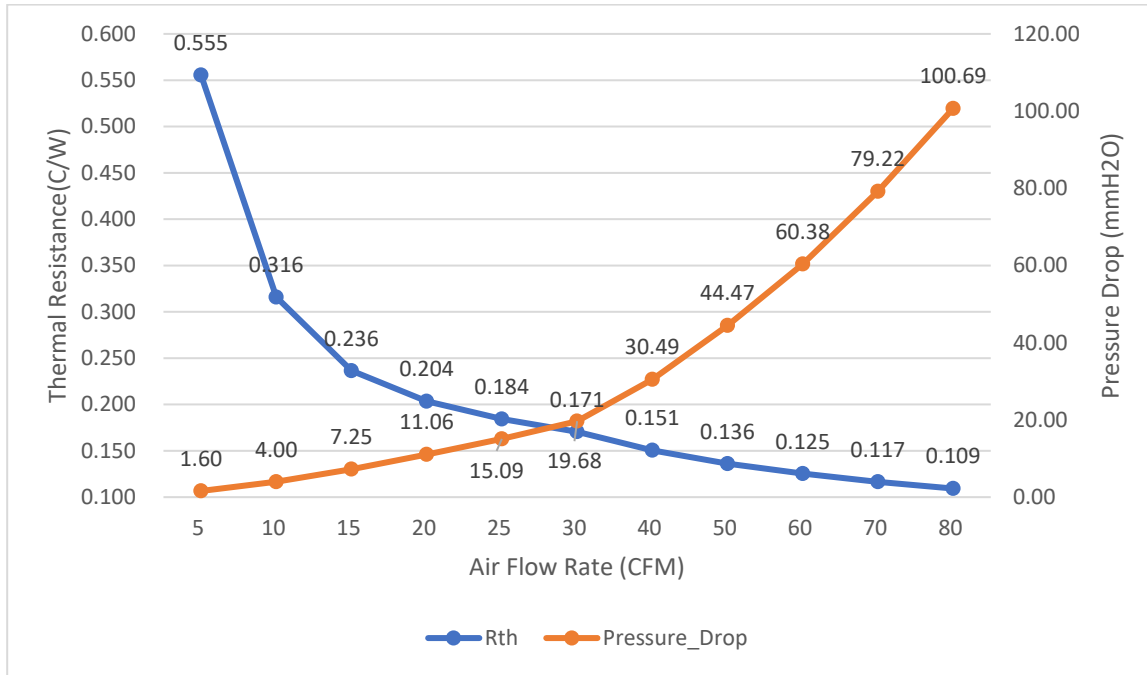
- Recommend for LGA 4926 Processor
- Passive Air Cooler for 1U Server and Up

Overall Specification

| | |
|----------------|--|
| Dimension | 120.0 x 82.0 x 27.7 mm (LxWxH) |
| Weight | 517g ± 10g |
| Material | Copper Fins + Vapor Chamber |
| Thermal Grease | Shin-Etsu X23-8079-2 Pre-Printed |
| TDP | Fully Support 250W at 33°C Ambient Temperature and 30CFM |

Performance Chart: Passive Cooler W5 Thermal Resistance

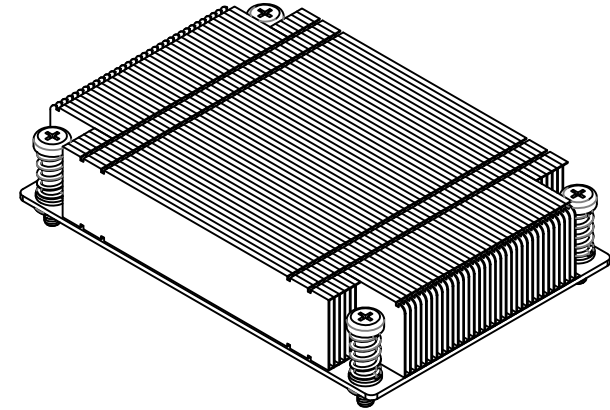
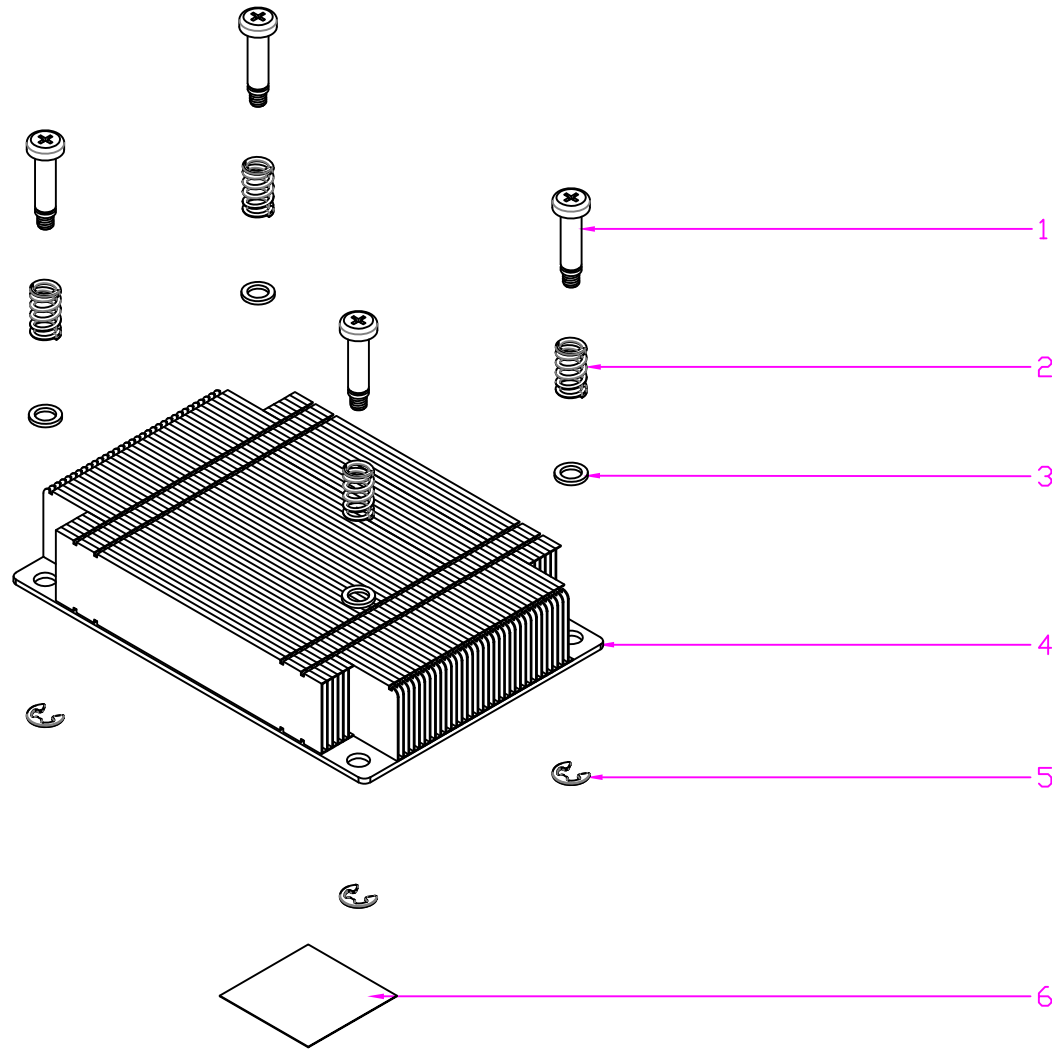
Thermal Resistance vs. Airflow




CONFIDENTIAL DOCUMENT

THIS DRAWING CONTAINS INFORMATION PROPRIETARY TO DYNATRON CORPORATION AND DYNAEON INDUSTRIAL CO., LTD. ANY REPRODUCTION, DISCLOSURE, OR USE OF THIS DRAWING IS EXPRESSLY PROHIBITED EXCEPT AS DYNATRON CORPORATION AND DYNAEON INDUSTRIAL CO., LTD. MAY OTHERWISE AGREE TO IN WRITING.

| REV# | DESCRIPTION | CHECKER | DATE |
|------|-----------------|---------|----------|
| 0.0 | INITIAL RELEASE | Engr. | 04/30/24 |



| 6 | THERMAL GREASE | SHIN ETSU X23-8079-2, 30x30x0.2mm | N/A |
|--------|--------------------------|-------------------------------------|------|
| 5 | HEATSINK CLIP (S1900010) | STEEL | 4 |
| 4 | HEATSINK | C1100 COPPER FINS + C1020 COPPER VC | 1 |
| 3 | WASHER | STEEL | 4 |
| 2 | HEATSINK SPRING | SWC | 4 |
| 1 | HEATSINK SCREW | C1018 | 4 |
| ITEM # | DESCRIPTION | MATERIAL | QTY. |

| | | | |
|------------|----------|-------|---|
| | DATE | NAME |  DYNATRON CORPORATION |
| DRAWN | 04/30/24 | Engr. | |
| CHECKED | 04/30/24 | Engr. | TITLE: 1U Passive Air Cooler W5 BOM & Exploded Assembly Drawing |
| ENG. APPR. | | | |
| MFG. APPR. | | | |
| QA | | | |
| COMMENTS | | | DWG. No: DYN-EP-W5 |
| | | | REV 0.0 |

NOTES:

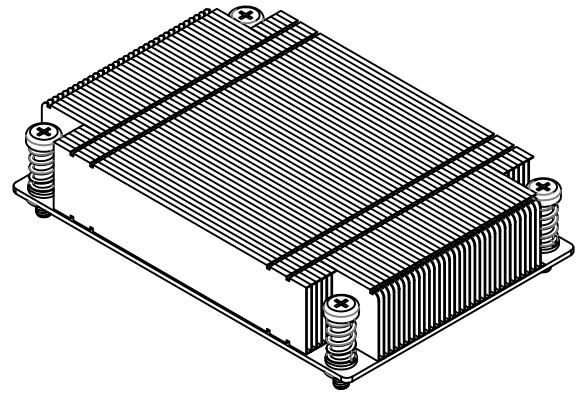
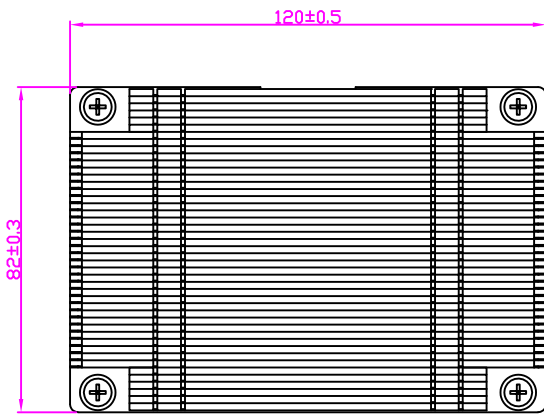
1. THE FIGURE IS FOR REFERENCE ONLY, AND NOT FOR SCALE

1 2 3 4 5 6 7

| REV# | DESCRIPTION | CHECKER | DATE |
|------|-----------------|---------|----------|
| 0.0 | INITIAL RELEASE | Engr. | 04/30/24 |

A

A

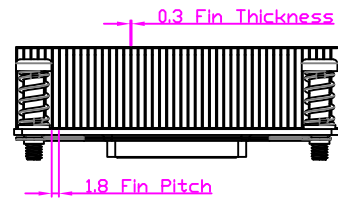
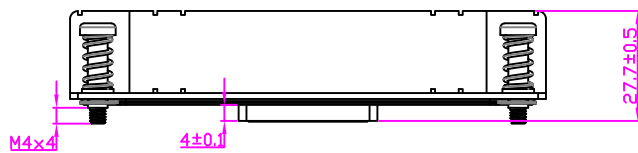


B

B

C

C

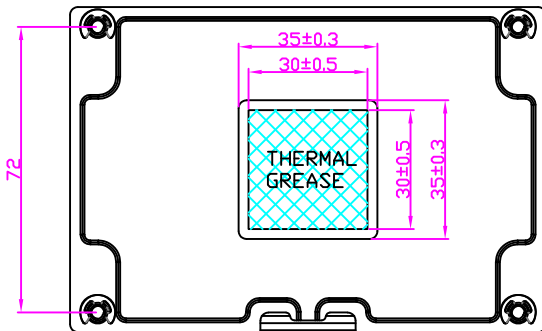


D

D

E

E



F

F

NOTES:

1. THE FIGURE IS FOR REFERENCE ONLY, AND NOT FOR SCALE
2. HEATSINK SCREW INSTALLATION TORQUE = 12~14 in-lb

G

G

| | NAME | DATE |
|--------------|------|------------|
| DRAWN BY | ENGR | 04/30/2024 |
| CHECKED BY | ENGR | 04/30/2024 |
| ENG.APPROVED | | |
| MFG.APPROVED | - | - |



DYNATRON CORPORATION

TITLE:

1U Passive Air Cooler W5
Overall Dimension Drawing

CONFIDENTIAL DOCUMENT

THIS DRAWING CONTAINS INFORMATION PROPRIETARY TO DYNATRON CORPORATION AND DYNAEDN INDUSTRIAL CO., LTD. ANY REPRODUCTION, DISCLOSURE, OR USE OF THIS DRAWING IS EXPRESSLY PROHIBITED EXCEPT AS DYNATRON CORPORATION AND DYNAEDN INDUSTRIAL CO., LTD. MAY OTHERWISE AGREE TO IN WRITING.

| | |
|-------|----|
| VIEW | |
| UNITS | MM |

DWG. No:

DYN-DM-W5

REV.
0.0

H

H

1 2 3 4 5 6 7

W5 | LGA 4926

Publication History:

05/07/2024: Performance Chart Update

04/30/2024: Initial Release

(Specifications are subject to change without notice)