



DYNATRON CORPORATION

TOP MOTOR TECHNOLOGY (HUIZHOU) CO, LTD

Specification for Approval

Customer:	/	
Model Number:	S7-4710	
Part Number:	LC08150085	
Issued Date:	02/12/24	
Version:	A	
Customer Approval		
Approval:	Check:	
Corporate Headquarters Dynatron Corporation 33200 Western Avenue Union City, CA 94587 U.S.A. Tel: 510-498-8888 Fax: 510-498-8488	Taipei Office <i>(Taiwan, R.O.C.)</i> 8F, No. 35, Lane:221 Gang Cian. Road, Taipei, Taiwan, R.O.C. Tel: 886-2-27995799 (Rep.) Fax: 886-2-2799-9577	Manufactory TOP MOTOR TECHNOLOGY(HUI ZHOU)CO,LTD Baishi Village, QiuchangTown, Huiyang Dist, HuizhouCity, Guangdong Province, P.R.China Tel: 86-752-822-8000 (Rep.) Fax: 86-752-822-8999
Approval:	Check:	Handler:
		Junyi Yang



DYNATRON CORPORATION

TOP MOTOR TECHNOLOGY (HUIZHOU) CO, LTD

	CONTENTS	Page
1.	SCOPE	3
2.	ELECTRICAL CHARACTERISTICS	3
3.	MECHANICAL CHARACTERISTICS	4
4.	ENVIRONMENTAL	4
5.	PROTECTION	5
6.	ATTACHMENTS	5
	6.1. Assembly Parts	6
	6.2. Product Dimension	7
	6.3. Frequency Generator Output	8
	6.4. Electrical specifications for PWM production	9-10



DYNATRON CORPORATION

TOP MOTOR TECHNOLOGY (HUIZHOU) CO, LTD

1. SCOPE

This specification defines the electrical and mechanical characteristics of the □ AC / ■ DC Brush less(□Liquid State /■2-Balls Bearing)axial flow fan, which is carefully designed and manufactured for your special needs by Dynatron Corporation.

2. ELECTRICAL CHARACTERISTICS

Items		Description		
1.	Rated Voltage	DC 12 V		
2.	Operating Voltage	10.8V~13.2V		
3.	PWM Frequency 25KHz	Duty Cycle D=0~20%	Duty Cycle D=50%	Duty Cycle D=100%
4.	Start Voltage	7V		
5.	Air Flow – At rated voltage zero static pressure (minimal value)	0.113 m ³ /z min (4.0CFM)	0.294m ³ /z min (10.39CFM)	0.537m ³ /z min (18.97CFM)
6.	Static Pressure – At rated voltage At zero air flow	3.15mm-H ₂ O (0.124inch-H ₂ O)	21.07mm-H ₂ O (0.829inch-H ₂ O)	77.16mm-H ₂ O (3.038inch-H ₂ O)
7.	Input Current (Max.)	0.09A	0.39A	1.95A
8.	Speed	1900RPM ±200	4800RPM ±10%	8700RPM ±10%
9.	Acoustical Noise	23.3dBA	43.5dBA	62.2dBA
10.	Input Power	1.08W	4.7W	23.45W
11.	Insulation Resistance – Between Frame and Terminal	10 M ohm at DC 500 V		
12.	Dielectric Strength – Between Frame and Terminal	5 mA (Max.) @ AC 500 V 60 Hz 1 min.		
13.	Life – Continuous operating under normal temperature (40 °C or 104 °F)	50,000 hours		
14.	Rotation	Anticlockwise Air Discharged		
15.	Auto restart Time	3-5sec		
16.	Lead Wires	UL 1061, awg 26 or Equivalent “-”: Black; “+”: Black; “S”: Black. “PWM”: Black.		



DYNATRON CORPORATION

TOP MOTOR TECHNOLOGY (HUIZHOU) CO, LTD

3. MECHANICAL CHARACTERISTICS

Items		Description
1.	Dimension	Display as Drawing
2.	Frame	PPS UL94V-0 (Black)
3.	Impeller	PBT UL94V-0 (Black)
4.	Bearing System	Two balls Bearing
5.	Weight	±10grams

4. ENVIRONMENTAL

Items		Description
1.	Operating Temperature	- 10 °C ~ + 65 °C (65 %RH)
2.	Storage Temperature	- 30 °C ~ + 70 °C (65 %RH)
3.	Vibration Test	Motor withstands 1000 rpm vibrating with 2 mm amplitude for 30 minutes up and down, right and left, back and forth directions.
4.	Drop Test	Motor withstands one free body drop from 30 cm in high onto 10 mm thickness of wooden board for each of the three faces in minimum packing condition.
5.	Acoustic Noise	62.20dBA – Curve (Max62.70dBA) Measuring Condition – Under rated voltage in semi-anechoic chamber equipment sound level meter. (Figure A.)

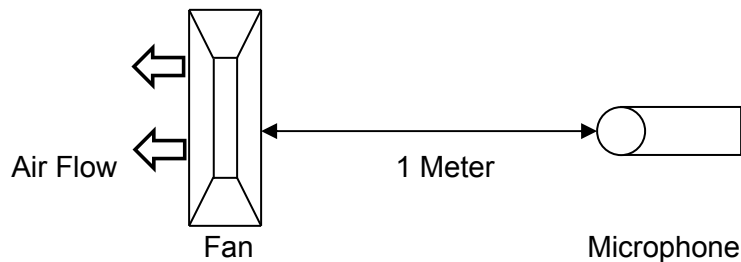


Figure A – Noise Level is measure at rated voltage in anechoic chamber in free air as above.



DYNATRON CORPORATION

TOP MOTOR TECHNOLOGY (HUIZHOU) CO, LTD

5. PROTECTION

Items		Description
1.	Polarity Protection	For polarity error connection to power, the circuit withstands reversed connection between positive and negative leads.

6. ATTACHMENTS

- 6.1. Assembly Parts
- 6.2. Product Dimension
- 6.3. Frequency Generator Output
- 6.4. Electrical specifications for pwm production

6.1. Assembly Parts

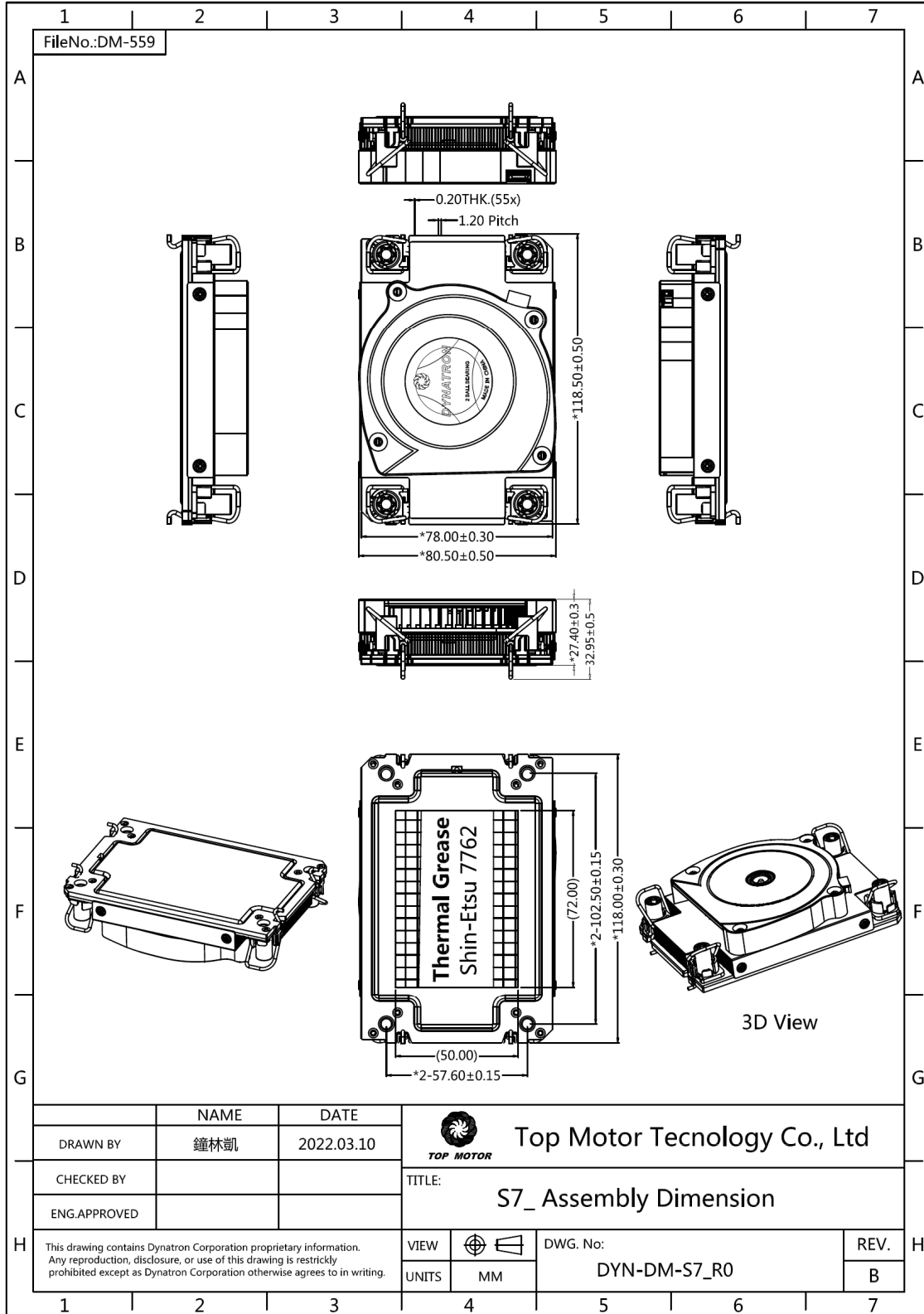
This drawing contains Top Motor technology co.,Ltd. proprietary information. Any reproduction, disclosure, or use of this drawing is restrictly prohibited except as Top Motor technology co.,Ltd. otherwise agrees to in writing.	<table border="1" style="width: 100%; border-collapse: collapse;"> <tr> <th>FileNo</th> <th>ITEM#</th> <th>DESCRIPTION</th> <th>CHECKER</th> <th>DATE</th> </tr> <tr> <td rowspan="2">EP-559</td> <td>01</td> <td>For the first time</td> <td>鐘林凱</td> <td>2021.11.13</td> </tr> <tr> <td>02</td> <td>風扇及扇熱片變更</td> <td>鐘林凱</td> <td>2022.03.10</td> </tr> </table>	FileNo	ITEM#	DESCRIPTION	CHECKER	DATE	EP-559	01	For the first time	鐘林凱	2021.11.13	02	風扇及扇熱片變更	鐘林凱	2022.03.10																																									
FileNo	ITEM#	DESCRIPTION	CHECKER	DATE																																																				
EP-559	01	For the first time	鐘林凱	2021.11.13																																																				
	02	風扇及扇熱片變更	鐘林凱	2022.03.10																																																				
	<p style="text-align: center; font-weight: bold;">3D View</p>																																																							
<p>Note:</p> <p>1.The figure is for reference only,and not for scale;</p> <p>2.Over all dimension: 118.6.0x80.5x32.95mm;</p> <p>3.Heat sink dimension: 118.0x80.5x13.3mm.</p>	<table border="1" style="width: 100%; border-collapse: collapse;"> <tr> <td>10</td> <td>31301670</td> <td>Retention</td> <td>Plastic</td> <td>1</td> </tr> <tr> <td>9</td> <td>31301530</td> <td>Retention</td> <td>Plastic +steel</td> <td>1</td> </tr> <tr> <td>8</td> <td>30900120</td> <td>Thermal Grease</td> <td>Shin-Etsu 7762</td> <td>72*50</td> </tr> <tr> <td>7</td> <td>50901370</td> <td>Screw For Heatsink</td> <td>Steel</td> <td>4</td> </tr> <tr> <td>6</td> <td>50807490</td> <td>Heat Sink</td> <td>Cu</td> <td>1</td> </tr> <tr> <td>5</td> <td>50902190</td> <td>Screw For Fan</td> <td>Steel</td> <td>4</td> </tr> <tr> <td>4</td> <td>51302060</td> <td>Fan Bracket</td> <td>Steel</td> <td>1</td> </tr> <tr> <td>3</td> <td>LE08130004</td> <td>Fan DB 128013BU</td> <td>Plastic</td> <td>1</td> </tr> <tr> <td>2</td> <td>51000710</td> <td>Anti-tilt rotating wire assembly set</td> <td>Plastic+steel</td> <td>2</td> </tr> <tr> <td>1</td> <td>51000700</td> <td>Anti-tilt rotating wire assembly set</td> <td>Plastic+steel</td> <td>2</td> </tr> <tr> <th>ITEM NO.</th> <th>P/N NO.</th> <th>DESCRIPTION</th> <th>MATERIAL</th> <th>QTY.</th> </tr> </table>	10	31301670	Retention	Plastic	1	9	31301530	Retention	Plastic +steel	1	8	30900120	Thermal Grease	Shin-Etsu 7762	72*50	7	50901370	Screw For Heatsink	Steel	4	6	50807490	Heat Sink	Cu	1	5	50902190	Screw For Fan	Steel	4	4	51302060	Fan Bracket	Steel	1	3	LE08130004	Fan DB 128013BU	Plastic	1	2	51000710	Anti-tilt rotating wire assembly set	Plastic+steel	2	1	51000700	Anti-tilt rotating wire assembly set	Plastic+steel	2	ITEM NO.	P/N NO.	DESCRIPTION	MATERIAL	QTY.
10	31301670	Retention	Plastic	1																																																				
9	31301530	Retention	Plastic +steel	1																																																				
8	30900120	Thermal Grease	Shin-Etsu 7762	72*50																																																				
7	50901370	Screw For Heatsink	Steel	4																																																				
6	50807490	Heat Sink	Cu	1																																																				
5	50902190	Screw For Fan	Steel	4																																																				
4	51302060	Fan Bracket	Steel	1																																																				
3	LE08130004	Fan DB 128013BU	Plastic	1																																																				
2	51000710	Anti-tilt rotating wire assembly set	Plastic+steel	2																																																				
1	51000700	Anti-tilt rotating wire assembly set	Plastic+steel	2																																																				
ITEM NO.	P/N NO.	DESCRIPTION	MATERIAL	QTY.																																																				
<table border="1" style="width: 100%; border-collapse: collapse;"> <tr> <td style="width: 20%;"></td> <td style="width: 20%;">NAME</td> <td style="width: 20%;">DATE</td> <td style="width: 40%; text-align: center;"> Top Motor Technology Co.,Ltd </td> </tr> <tr> <td>DRAWN</td> <td>鐘林凱</td> <td>2022.03.10</td> <td rowspan="4" style="text-align: center; vertical-align: middle;"> TITLE: Exploded Assembly Drawing S7 </td> </tr> <tr> <td>CHECKED</td> <td></td> <td></td> </tr> <tr> <td>ENG. APPR.</td> <td></td> <td></td> </tr> <tr> <td>COMMENTS:</td> <td colspan="2">N/A</td> <td style="text-align: center;"> DWG. No: DYN-EP-S7_R0 </td> </tr> <tr> <td colspan="3"></td> <td style="text-align: right;"> REV B </td> </tr> </table>		NAME	DATE	Top Motor Technology Co.,Ltd	DRAWN	鐘林凱	2022.03.10	TITLE: Exploded Assembly Drawing S7	CHECKED			ENG. APPR.			COMMENTS:	N/A		DWG. No: DYN-EP-S7_R0				REV B	<table border="1" style="width: 100%; border-collapse: collapse;"> <tr> <td style="width: 20%;"></td> <td style="width: 20%;">NAME</td> <td style="width: 20%;">DATE</td> <td style="width: 40%; text-align: center;"> Top Motor Technology Co.,Ltd </td> </tr> <tr> <td>DRAWN</td> <td>鐘林凱</td> <td>2022.03.10</td> <td rowspan="4" style="text-align: center; vertical-align: middle;"> TITLE: Exploded Assembly Drawing S7 </td> </tr> <tr> <td>CHECKED</td> <td></td> <td></td> </tr> <tr> <td>ENG. APPR.</td> <td></td> <td></td> </tr> <tr> <td>COMMENTS:</td> <td colspan="2">N/A</td> <td style="text-align: center;"> DWG. No: DYN-EP-S7_R0 </td> </tr> <tr> <td colspan="3"></td> <td style="text-align: right;"> REV B </td> </tr> </table>		NAME	DATE	Top Motor Technology Co.,Ltd	DRAWN	鐘林凱	2022.03.10	TITLE: Exploded Assembly Drawing S7	CHECKED			ENG. APPR.			COMMENTS:	N/A		DWG. No: DYN-EP-S7_R0				REV B											
	NAME	DATE	Top Motor Technology Co.,Ltd																																																					
DRAWN	鐘林凱	2022.03.10	TITLE: Exploded Assembly Drawing S7																																																					
CHECKED																																																								
ENG. APPR.																																																								
COMMENTS:	N/A			DWG. No: DYN-EP-S7_R0																																																				
			REV B																																																					
	NAME	DATE	Top Motor Technology Co.,Ltd																																																					
DRAWN	鐘林凱	2022.03.10	TITLE: Exploded Assembly Drawing S7																																																					
CHECKED																																																								
ENG. APPR.																																																								
COMMENTS:	N/A			DWG. No: DYN-EP-S7_R0																																																				
			REV B																																																					



DYNATRON CORPORATION

TOP MOTOR TECHNOLOGY (HUIZHOU) CO, LTD

6.2. Product Dimension





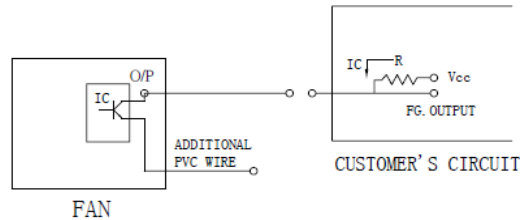
DYNATRON CORPORATION

TOP MOTOR TECHNOLOGY (HUIZHOU) CO, LTD

6.3. Frequency Generator Output

FREQUENCY GENERATOR O/P:

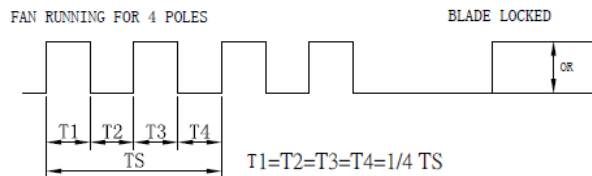
Frequency generator function is activated by an internal IC for customer's application.
Electrical schematic:



CUSTOMER'S CIRCUIT

V_{cc} = From +5 To +28 VDC (Generally using +12 or +24 VDC)
 I_c = 5 mA max.
 $R = V/I$ (Output "R" value calculation)

• SUPPLY A WAVEFORM:



$N = R.P.M.$ (Rotation speed will be different for various models
 L/M/H/HH/VH/SH)

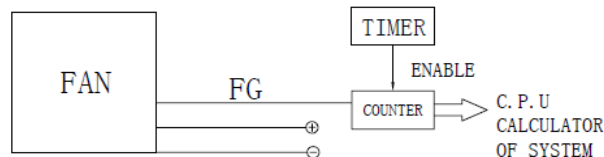
$TS = 60/N$ (Sec)

* Voltage level after blade locked

• OUTPUT LEVEL:

High = V_{cc} 10%
 Low = 0~0.5V
 I_c = 5 mA max.

• APPLICATION:



• FUNCTIONS:

- . By means of waveform & customer's design, schematic can reach alarm function, either in the form of buzzing or LED flashing.
Adjust rotation speed.
- . When power supply output voltage level decreases, it will result in the lowering of fan rotation speed. The irregular situation will be controlled by using FG. O/P through P/S circuit to increase the output voltage and result in a stable rotation speed.



DYNATRON CORPORATION

TOP MOTOR TECHNOLOGY (HUIZHOU) CO, LTD

6.4. Electrical specifications for pwm production

USA Dynatron Corp.

Electrical Specifications for PWM production

Voltage

Fan operating voltage shall be within the range 12V \pm 1.2V.

Current

Peak fan current draw during start-up operation (with 13.2V applied, with fan operating in the free stream condition) shall not exceed 2.0 A.

Fan current spike during start-up operation (with 13.2V applied with fan operating in the free stream condition) shall be allowed to exceed 1.0 A for a duration of no greater than 1.0 sec.

Tachometer Output Signal

Fan shall provide tachometer output signal with the following characteristics:

- * Two pulses per revolution
- * Open-collector or open-drain type output
- * Motherboard will have a pull up to 12V, maximum 13.2V

PWM Control Input Signal

The following requirements are measured at the PWM(control) pin of the fan cable

connector: PWM Frequency: Target frequency 25kHz,

acceptable operational range 21 kHz to 28 KHz

Maximum voltage for logic low: VIL=0.8V

Absolute maximum current sourced: I_{max}=5mA(short circuit current)

Absolute maximum voltage level: V_{max}=5.25V(open circuit voltage)

Fan Speed Control

1.1 Maximum Fan Speed Requirements

The maximum fan speed shall be specified for the fan model by the vendor and correspond to 100% duty cycle PWM signal input.

1.2 Minimum Fan Speed Requirements

The vendor shall specify the minimum RPM and the corresponding PWM duty cycle. This specified minimum RPM shall be 30% of maximum RPM or less. The fan shall be able to start and run at this RPM. To allow a lower specified minimum RPM, it is acceptable to provide a higher PWM duty cycle to the fan motor for a short period of time for startup conditions. This pulse should not exceed 30% maximum RPM and should last no longer than 2 seconds.



DYNATRON CORPORATION

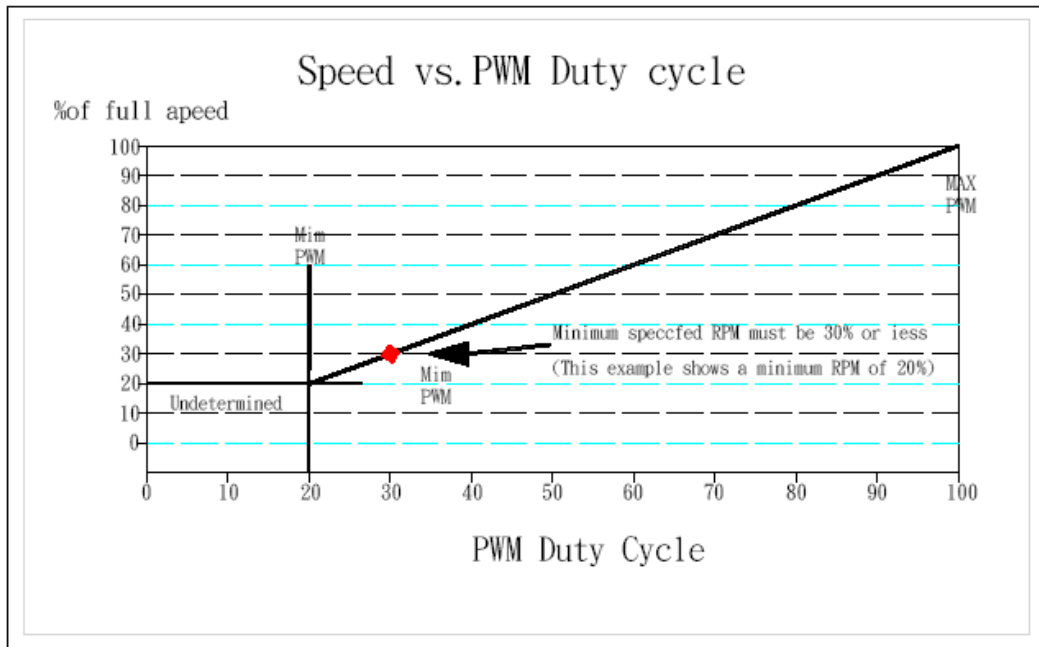
TOP MOTOR TECHNOLOGY (HUIZHOU) CO, LTD

USA Dynatron Corp.

1.3 Fan Speed Response PWM Control Input Signal

The PWM input shall be delivered to the fan through the control signal on Pin4. Fan speed response to this signal shall be a continuous and monotonic of the duty cycle of the signal, from 100% to the minimum specified RPM. The fan RPM (as a percentage of maximum RPM) should match the PWM duty cycle within $\pm 10\%$. If no control signal is present the fan shall operate at maximum RPM.

Figure 1 Fan speed Response to PWM Control input Signal



1.4 Operation Below Minimum RPM

For all duty cycles less than the minimum duty cycle, the RPM shall not be greater than the minimum RPM. The following graphs and definitions show three recommended solutions to handle PWM duty cycles that are less than the minimum operational PWM, as a percentage of maximum.

Reference resource by Intel's 4-wire PWM Fan controlled specification.

S7-4710 | Socket LGA 4710

Active Cooler S7 Cooling Performance vs. Fan Speed

