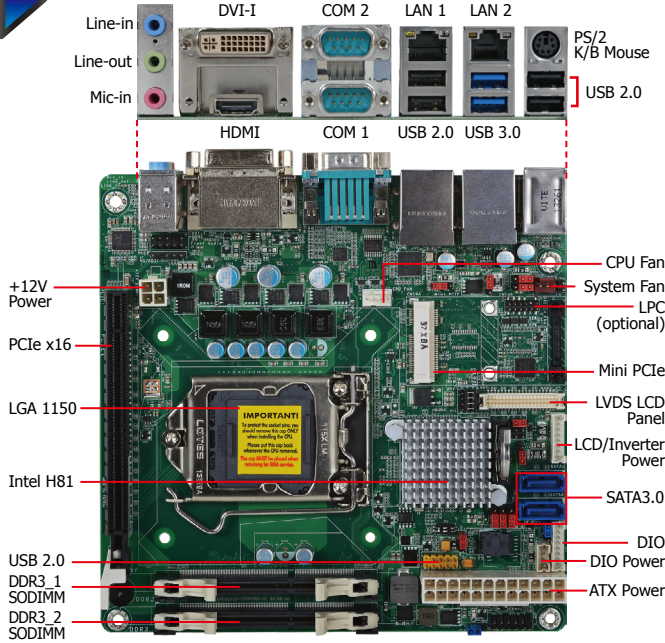




# HD100-H81

Desktop

H81



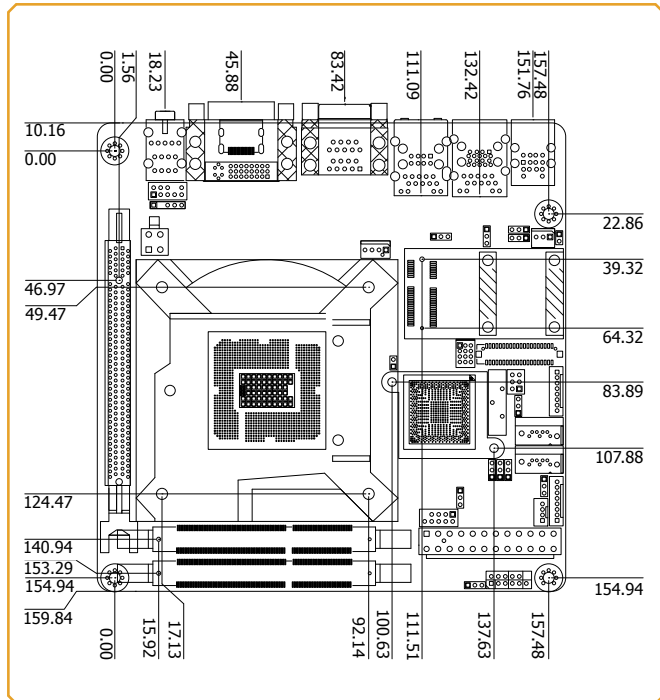
Model Name	LAN	COM
HD100-H81D	2	2 RS232

## Features

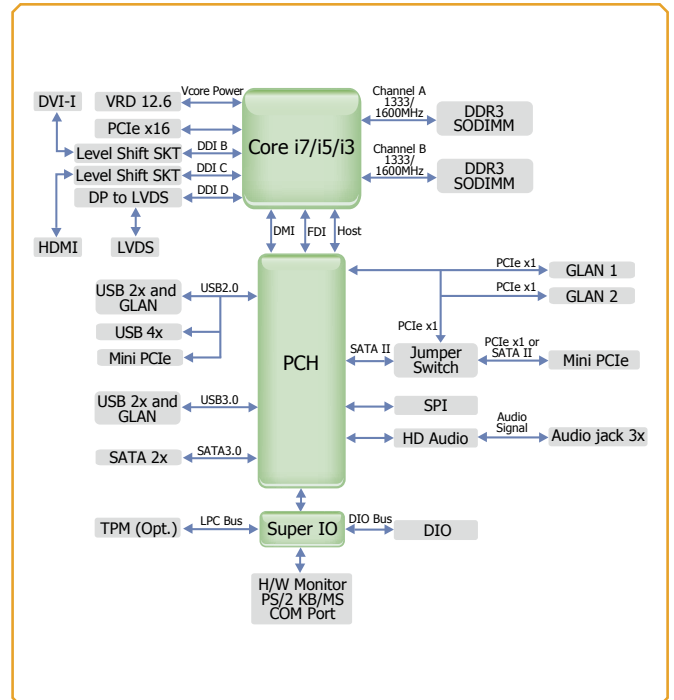
MEMORY	2 DDR3 SODIMM up to 16GB
EXPANSION	1 PCIe x16 1 Mini PCIe
DISPLAY OUTPUTS	1 HDMI, 1 DVI-I, 1 LVDS
LAN	2 LAN
COM	2 COM
USB	8 USB: 2 USB 3.0, 6 USB 2.0
STORAGE	2 SATA 3.0
DIO	8-bit DIO



## Mechanical Drawing



## Block Diagram



## HD100-H81

**Specifications** \* Optional and is not supported in standard model. Please contact your sales representative for more information.**PROCESSOR**

- LGA 1150 socket for:
  - 4th Generation Intel® Core™ processors (22nm process technology)
    - : Intel® Core™ i7-4790S (8M Cache, up to 4.0 GHz); 65W
    - : Intel® Core™ i7-4770S (8M Cache, up to 3.9 GHz); 65W
    - : Intel® Core™ i7-4770TE (8M Cache, up to 3.3 GHz); 45W
    - : Intel® Core™ i5-4590S (6M Cache, up to 3.7 GHz); 65W
    - : Intel® Core™ i5-4590T (6M Cache, up to 3.0 GHz); 35W
    - : Intel® Core™ i5-4570S (6M Cache, up to 3.6 GHz); 65W
    - : Intel® Core™ i5-4570TE (4M Cache, up to 3.3 GHz); 35W
    - : Intel® Core™ i3-4360 (4M Cache, 3.7 GHz); 54W
    - : Intel® Core™ i3-4350T (4M Cache, 3.1 GHz); 35W
    - : Intel® Core™ i3-4340TE (4M Cache, 2.6 GHz); 35W
    - : Intel® Core™ i3-4330 (4M Cache, 3.5 GHz); 54W
    - : Intel® Core™ i3-4330TE (4M Cache, 2.4 GHz); 35W
    - : Intel® Pentium® G3420 (3M Cache, 3.2 GHz); 53W
    - : Intel® Pentium® G3320TE (3M Cache, 2.3 GHz); 35W
    - : Intel® Celeron® G1820 (2M Cache, 2.7 GHz); 53W
    - : Intel® Celeron® G1820TE (2M Cache, 2.2 GHz); 35W

**CHIPSET**

- Intel® H81 Express Chipset

**SYSTEM MEMORY**

- Two 204-pin DDR3 SODIMM sockets
- Supports DDR3 1333/1600MHz
- Supports up to 16GB system memory
- Supports dual channel memory interface
- DRAM device technologies: 1Gb, 2Gb and 4Gb DDR3 DRAM technologies are supported for x8 and x16 devices, unbuffered, non-ECC

**EXPANSION SLOTS**

- 1 PCIe x16 Gen 3 slot (PCIe 3.0)
- 1 Mini PCIe slot
  - Supports USB and PCIe signals
  - Supports mSATA
  - Supports full size Mini PCIe card

**ONBOARD GRAPHICS FEATURES**

- Intel® HD Graphics
- Display ports: 1 HDMI, 1 DVI-I, 1 LVDS
- HDMI: resolution up to 4096x2304 @ 24Hz or 2560x1600 @ 60Hz
- DVI-I, VGA: resolution up to 1920x1200 @ 60Hz
- LVDS: 24-bit, dual channel, resolution up to 1920x1200 @ 60Hz
- Supports 20 Graphics Execution Units (EUs)
- Intel® Clear Video Technology
- DirectX Video Acceleration (DXVA) support for accelerating video processing

**ONBOARD AUDIO FEATURES**

- Realtek ALC886 5.1-channel High Definition Audio
- S/PDIF audio interface

**ONBOARD LAN FEATURES**

- Intel® I210 PCI Express Gigabit Ethernet controller
- Intel® I217 Gigabit Ethernet Phy
- Integrated 10/100/1000 transceiver
- Fully compliant with IEEE 802.3, IEEE 802.3u, IEEE 802.3ab

**SERIAL ATA (SATA) INTERFACE**

- 2 SATA 3.0 ports with data transfer rate up to 6Gb/s
- Integrated Advanced Host Controller Interface (AHCI) controller

**TRUSTED PLATFORM MODULE (TPM)\***

- Provides a Trusted PC for secure transactions
- Provides software license protection, enforcement and password protection

**REAR PANEL I/O PORTS**

- 1 mini-DIN-6 PS/2 keyboard/mouse port
- 4 USB 2.0 ports
- 2 USB 3.0 ports
- 2 DB-9 RS232 serial ports
- 1 HDMI port
- 1 DVI-I port
- 2 RJ45 LAN ports
- Mic-in, line-in and line-out jacks

**I/O CONNECTORS**

- 1 connector for 2 external USB 2.0/1.1 ports
- 1 LVDS LCD panel connector
- 1 LCD/inverter power connector
- 1 8-bit Digital I/O connector
- 1 Digital I/O power connector
- 1 front audio connector for line-out and mic-in jacks
- 1 S/PDIF connector
- 1 LPC connector\*
- 2 SATA 3.0 ports
- 1 24-pin ATX power connector
- 1 4-pin 12V power connector
- 1 chassis intrusion connector
- 1 front panel connector
- 2 fan connectors

**BIOS**

- AMI BIOS
  - 64Mbit SPI BIOS

**ENERGY EFFICIENT DESIGN**

- Supports ErP Lot6 power saving\*
- Supports ACPI
- System Power Management
- Wake-On-Events include:
  - Wake-On-PS/2 KB/Mouse
  - Wake-On-USB KB/Mouse
  - Wake-On-LAN
  - RTC timer to power-on the system
- CPU stopped clock control
- AC power failure recovery

**DAMAGE FREE INTELLIGENCE**

- Monitors CPU/system temperature and overheat alarm
- Monitors VCore/5V/3.3V/V\_DIMM/12V/5VSB voltages and failure alarm
- Monitors CPU/system fan speed and failure alarm
- Read back capability that displays temperature, voltage and fan speed
- Watchdog timer function

**POWER CONSUMPTION**

- TBD

**OS SUPPORT**

- Windows XP Professional x86 & SP3 (32-bit) (limited function)
- Windows 7 Ultimate x86 & SP1 (32-bit)
- Windows 7 Ultimate x64 & SP1 (64-bit)
- Windows 8 Enterprise x86 (32-bit)
- Windows 8 Enterprise x64 (64-bit)

Note: Windows 10 will be available upon request. Please contact DFI for more information.

**TEMPERATURE**

- Operating: 0°C to 60°C
- Storage: -20°C to 85°C

**HUMIDITY**

- 10% to 90%

**DIMENSIONS**

- Mini-ITX form factor
- 170mm (6.7") x 170mm (6.7")

**CERTIFICATION**

- CE, FCC Class B, RoHS, UL

**Packing List**

- 1 HD100 motherboard
- 1 Serial ATA data cable
- 1 I/O shield
- 1 DVD

**Optional Items**

- USB port cable
- Serial ATA data cable
- I/O shield