

SPC-618WE

18.5" FHD TFT LED LCD Touch Panel Computer with 13th Gen. Intel® Core™ with ATEX Explosion-Protected certification

Preliminary



Features

- Industrial-grade 18.5" FHD TFT LCD with 50K lifetime and LED backlight
- 13th Gen. Intel® Core™ i7-1365URE deca-core processor
- Built in single DDR5 4800 RAM with 32GB capacity
- Built in sTLC SSD of 256GB with extreme longevity and reliability
- Compact, fanless embedded system with aluminum alloy front bezel and chassis grounding protection
- Specialized enhanced impact proof touchscreen with PCAP touch control and IP65-rated front panel
- Diverse system including Type C connector with USB 3.2, DP 1.4a, 15W power delivery
- Support TPM2.0 hardware security
- IEC Ex & ATEX certification for Zone 2/22 criteria

Introduction

Advantech's SPC-618WE Explosion-Protected Touch panel computer, is powered by Intel 13th Generation Intel Core processors. With its fan-less design, SPC-618WE delivers high performance that not simply meets customer demands for a daily-operation control panel, but a genuine Industry 4.0-era-tailored Industrial PC that features bountiful I/Os including two USB 3.2 ports, one USB-C port, expansions with sTLC Solid State Drive and WiFi module that support for ultra speed data transmission. The system was both IP65 and IEC Ex/ATEX Zone 2/22 Explosion-Protected certified, therefore is suitable for hazardous environment.

Specifications

General

- **BIOS** AMI UEFI
- **Certification** BSMI, CCC, CE, FCC Class A, ATEX Explosion Proof
- **Cooling System** Fanless design
- **Dimensions (W x H x D)** 479.3 x 300.3 x 80 mm
- **Enclosure** Front bezel: Die cast aluminum alloy
Back housing: Die cast aluminum alloy
- **Mounting** VESA Mount, Desktop, Wall or Panel Mount
- **OS Support** Windows 10
- **Security** TPM 2.0 (built-in)
- **Power Consumption** Typ. 46W; Max. 82W
- **Power Input** 19 - 24 V_{DC} ± 15%
- **Watchdog Timer** 15-255 sec (system)
- **Weight (Net)** 6KG

System Hardware

- **CPU** 13th Gen. Intel® Core™ i7-1365URE 1.7 GHz
Deca-core processor
- **Memory** Single DDR5 4800 SO-DIMM RAM 32Gb
- **LAN** 2 x 2.5 GbE with Intel® i226
- **Storage** 1x M.2 2280
sTLC Solid State Drive 256 GB (Baseline)
sTLC Solid State Drive 512 GB (Option for custom model*)
1 x 2.5 SATA
sTLC Solid State Drive 256 GB (Option for custom model*)
sTLC Solid State Drive 512 GB (Option for custom model*)

*Detailed information listed in "Expansion Component for Custom Model"

- **I/O** 1 x Displayport 1.4a (Video output)
1 x Type C (USB 3.2 Gen.2, DP 1.4a, 5V w/ 3A max)
2 x USB 3.2 (Gen.1)
4 x USB 2.0
2 x RS-232/422/485
(Optional) 2 x 4Ω Speaker for Audio out

LCD Display

- **Display Type** FHD TFT LED LCD
- **Display Size** 18.5"
- **Max. Resolution** 1920 x 1080
- **Max Colour** 16.7M
- **Luminance cd/m²** 350 cd/m²
- **Viewing Angle (H/V°)** 178°/178°
- **Backlight Life** 50,000 hrs
- **Contrast Ratio** 1000:1

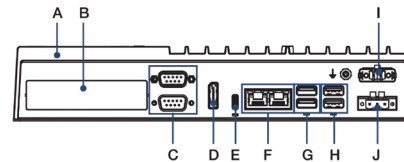
Touchscreen

- **Light Transmission** Above 85%
- **Resolution** Linearity
- **Type** PCAP touch screen

Environment

- **Humidity** 95% RH @ 40°C, non-condensing
- **Ingress Protection** IP65-rated front panel
- **Operating Temperature** -20~60 °C (-4~140 °F) (w/o air flow)
- **Storage Temperature** -20~60 °C (-4~140 °F)
- **Vibration Protection** With SSD: 1 Grms (5 ~ 500 Hz)
(Operating, random vibration)

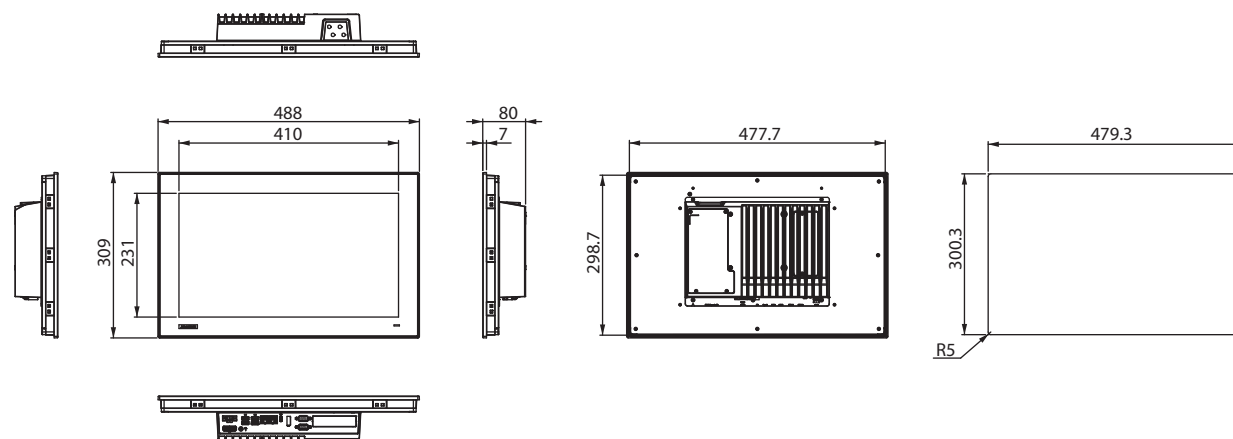
Rear View



- A. Baseline Configuration
- B. iDoor slot
- C. RS-232/422/485
- D. Display Port
- E. TYPE-C
- F. 2.5GbE LAN port
- G. USB 3.2
- H. USB 2.0
- I. Remote Button
- J. DC

Dimensions

Unit: mm



Panel Cut-out Dimensions: 479.3 x 300.3mm (18.87 x 11.82 in)

Ordering Information

- **SPC-618WE-PUD75A** 18.5" FHD Panel PC, ATEX Explosion-Protected certification, 13th Gen. Intel® i7-1365URE 1.7 GHz Deca-core processor

Embedded OS

- **20701WX1HS0009** Win10 LTSC for SPC-618WE

Optional Accessories

- **96PSA-A120W24T2-4** 120W 24V_{DC} power supply
- **1702002600** Power cable (US) 1.8 M
- **1702002605** Power cable (EU) 1.8 M
- **1702031801** Power cable (UK) 1.8 M
- **1700000596-11** Power cable (China/Australia) 1.8 M

Expansion Component for Custom Model

ATEX Certified Expansion Components		Description
M.2 2280 SSD (Baseline)	SQF-S8BZ4-256GDSDE	SQF M.2 2280 SSD 256GB 3D sTLC
Option1	SQF-S8BZ4-512GDSDE	SQF M.2 2280 SSD 512GB 3D sTLC
2.5" SATA SSD (Baseline)	None	None
Option1	SQF-S25Z4-256GDSDE	SQF 2.5" SATA SSD 256GB 3D sTLC
Option2	SQF-S25Z4-512GDSDE	SQF 2.5" SATA SSD 512GB 3D sTLC

Packing List

Item	Part No.	Description	Qty
Grounding cable	1703011001-11	A Cable G-TEM 4.3 100CM C=GR/Y	1
Plug-In Block	1652007930-01	Plug-In Block 1x3P/5.08mm/PA66/F/VA	1
Warranty	2190000902	CARDBOARD-WARRANTY REV. A2	1
VESA Screw	1930005204	Screw M4x10L R/S DH=6.8x2.50 + ST ZBK PL	4
China RoHS	202KAKMCO0	China rohs for AKMC model name 1st ed	1

Please contact Advantech for certificate compliance.