

VEGA-P110

PCIe x16 Intel® Arc™ A370M Embedded GPU Card

Packing List

Before you start installing your card, please make sure that the following items have been shipped:

- 1 x VEGA-P110 GPU card with active fan and full-height PCIe bracket installed
- 1 x Startup Manual
- 1 x China RoHS

Note: Regarding OpenVINO, you can go to: <https://www.intel.com/content/www/us/en/developer/tools/opencv-toolkit/overview.html> to download the latest version.

If any of these items are missing or damaged, please contact your distributor or sales representative immediately.

Product Picture



Specifications

Product	VEGA-P110-42A1	
Form Factor	PCI Express x16	
GPU	Intel® Arc™ A370M	
Memory	GDDR6 4GB	
Dimensions (W x H x D)	168 x 110 x 34.8 mm, Dual Slots	
Signal Interface	PCI Express Gen 4.0 x8	
Temperature	0~60 °C (Depending on the GPU and cooler solution)	
Max. Power Consumption	Up to 60 watts	
Thermal Solution	Single Active Fan	
Power Connector	8-pin power input	
Power Range	DC 12V input	
Display I/O Ports	DP	2 x DisplayPort 1.4a, 7680 x 4320 @ 60Hz, 8K
	HDMI	2 x HDMI 2.0b, 4096 x 2160 @ 60Hz, 4K
Graphics Engine	DirectX 12, OpenGL 4.6, OpenCL 3.0 HW Encode: H.264/H.265 (HEVC)/AV1 HW Decode: H.264/H.265 (HEVC)/AV1/VP9	

Motherboard Requirements

- Above 4G Decoding enabled
- Resizable (Re-Size) BAR support enabled
- Compatibility Support Module (CSM) or Legacy Mode must be disabled and UEFI boot mode must be Enabled.

Notes: The procedure to enable the resizable BAR may be different for each system manufacturer. Please check with your system manufacturer for specific instructions as necessary.

The Resizable BAR option may be described as Re-Size BAR, Smart Access Memory, or Clever Access Memory.

Visit the Intel website to get more information: <https://www.intel.com/content/www/us/en/support/articles/000091128/graphics.html>

For more information on this and other Advantech products, please visit our website at:

<http://www.advantech.com>

For technical support and service, please visit our support website at:

<http://support.advantech.com>

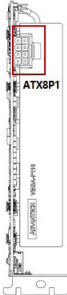
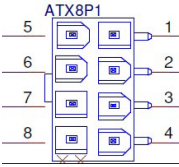
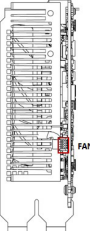
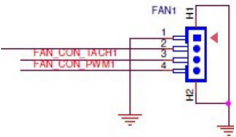
This manual is for VEGA-P110.

Part No. 2046P11000
Printed in Taiwan

Edition 1
July 2023

Connectors

Below are the connectors for VEGA-P110:

Connector Location	Connector	Description	Pin Definitions	Symbol
	ATX8P1	PCIe Card Power from ATX power supply (Optional)	PIN1 : +12VDC PIN2 : +12VDC PIN3 : +12VDC PIN4 : GND PIN5 : GND PIN6 : GND PIN7 : GND PIN8 : GND	
	FAN1	4-Pin Fan Connector	PIN1 : GND PIN2 : +12VDC PIN3 : FAN TACH PIN4 : FAN PWM	

Dimensions

