

FWA-6183

Rackmount Network Appliance with Dual AMD EPYC™ 9004 Processors for Gateway and NGFW



Features

- Dual AMD EPYC™ 9004 Processors, up to 256 Cores
- 16 x DDR5 ECC RDIMM slots
- Hot-swap 2.5" disk bays and system fan, redundant PSU, 1 x HH/HL Gen5 PCIe x16 slot
- Integrated security features with root of trust, memory encryption, and encrypted virtualization
- IPMI v2.0 compliant, with web interface
- 8 x Advantech network module expansions w/ PCIe Gen5 bandwidth

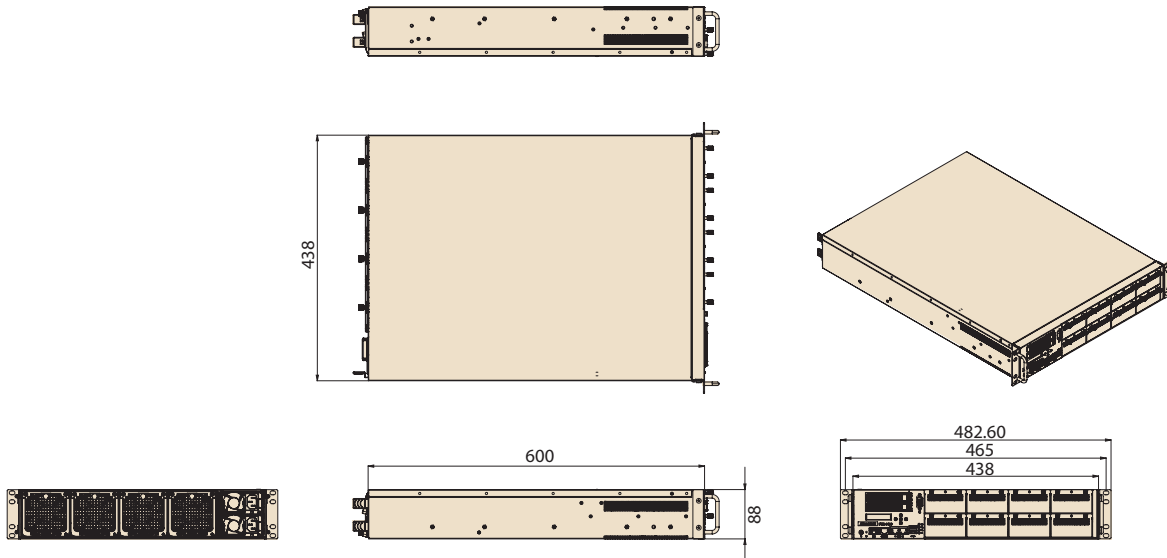


Specifications

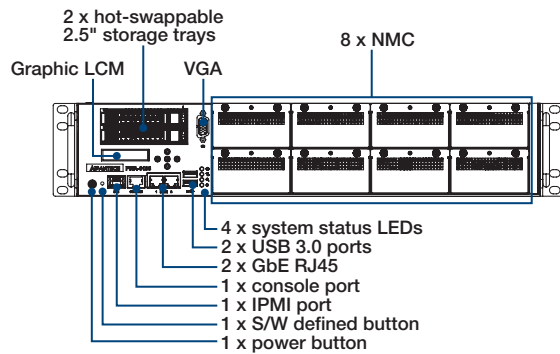
System P/N	FWA-6183-00A1R	
Form Factor	2U Rack Mount	
Processor System	Processor	4th Generation AMD EPYC™ Processors
	Core Count	Up to 128C
	Base Frequency	Up to 4.1 GHz
	BIOS	AMI UEFI
Memory	Technology	DDR5, up to 4800 MT/s
	Max. Capacity	1024 GB (64 GB per slot)
	Socket	16 x 288-pin DIMM
	ECC Support	RDIMM
Networking	Controller	2 x Intel i210
	1GbE	2 x 1GbE RJ45
Expansion Slot	PCIe x16	1 x PCIe Gen5 x16 HH/HL
	NMC	8 x PCIe Gen5 x8
IPMI	IPMI 2.0 and Redfish compliant	
Storage	2.5" Bay	2 x External 2.5" HDD/SSD
	M.2	2 x M.2 2280 M-Key for SATA SSD or PCIe Gen3 x4 NVMe
I/O	Console	1 x RJ45 type console
	USB	2 x USB 3.0
	LED Indicator	1 x Power LED, 1 x Alert LED, 1 x Locate LED, 1 x Software-defined LED
	Display	1 x VGA port
	Button	1 x Power button, 1 x Software-defined button
	Others	1x dedicated 1GbE LAN for IPMI
TPM	TPM 2.0	
LCD Module	16 x 2 graphic display, 5 buttons	
Power Supply	Power Type	AC Redundant CRPS (Option: DC Redundant CRPS)
	Watts	1200 W
	Input	AC: 100-240V~, 12-7A, 50-60Hz (Option: DC -48V)
	Connector	AC 3pin plug
Environment	Operating Temperature	0 - 40 °C (32 - 104 °F)
	Non-operating Temperature	-40 - 70 °C (-40 - 158 °F), 60 °C@95% Non-Condensing Humidity
	Vibration Resistance (Operation)	5-500 Hz, 0.3 Grms, 3 axes, 1 hr/per axis
	Shock Protection (Operation)	10 G, 11 ms
Cooling	4 x Hot swap 8038 mm fan	
Mechanical	Metallic Material	SGCC
	Mounting	Rackmount
	Dimensions (W x H x D)	438 x 88 x 600 mm (17.2" x 3.4" x 23.6")
	Weight (G.W.)	23.5 kg (51.8 lbs)
OS Support	Linux (CentOS, Red Hat, Ubuntu, Fedora)	
Advantech S/W Packages	<ol style="list-style-type: none"> 1. ALBPCU 2. APOECU 3. ipmitool 4. Server iManager (Linux base) <ul style="list-style-type: none"> -Health Guard -Diagnostic Framework -Network device identifier (NDI) 5. Quick Start Linux Image 	
Certification	EMC/Safety	CE, FCC, CB, UL, CCC

Dimensions

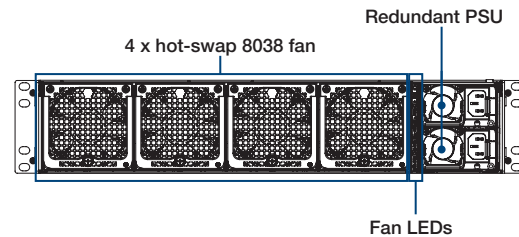
Unit: mm



Front Panel External I/O Mechanical Layout/Drawing



Rear Panel External I/O Mechanical Layout/Drawing



Ordering Information

Part Number	Processor	DDR5	NMC Slot	PCIe Slot	Storage Bay	USB3.0	IPMI Port	Console Port	LAN Port			System Fan	PSU
									1G RJ45	1G SFP	10G SFP+		
FWA-6183-00A1R	Dual socket, 4th Generation AMD EPYC™ processors	16	8	1	2	2	1	1	2	0	0	4	2

Packing List

Part Number	Description
1700020691-01	M CABLE D-SUB 9P(F)/RJ45 220cm

Optional Accessories

Part Number	Description
1702002600	Power cord 3P 180 cm, USA
1702002605	Power cord 3P 180 cm, Europe
1702031801	Power cord 3P 180 cm, UK
1700000237	Power cord 3P 180 cm, JP
1700009652	Power cord 3P 180 cm, China
1930008928	Screws for slide rail installation (Order 10 pieces per system)
968DE00026	Slide rail for post to post dimension 558.9 - 850.9mm
FWA-3050-800WPSU	800W DC Power kit
1700027334-01	USB for RJ45 console cable, 190cm