

PuIM-10G4SF-XL710-BP

Intel® Ethernet Controller XL710-BM1 based Network Interface Card with four 10GbE Fiber ports, two pair Bypass



Features

- 1 x Intel® Ethernet Controller XL710-BM1
- 4 x Fiber LC (SR or LR) interface
- PCIe 3.0 x8
- Two LAN bypass model available

Specifications

Model Name	PuIM-10G4SF-XL710-BP		PuIM-10G4SF/T-XL710-BP
Form Factor	IEI Networking Module		
NIC	Intel® XL710-BM1 Ethernet Controller		
Bypass	Yes, two pairs		
LAN Interface	10 GbE fiber LC (SR & LR)		
Speed	10GbE		
Ports	4		
Host Interface	PCIe 3.0 x8		
Storage Temp.	-20°C ~ 75°C (-4°F ~ 167°F)		
Operating Temp.	0°C ~ 40°C (32°F ~ 104°F)		
Humidity	5% ~ 90% RH, Non-condensing		
Dimensions (mm)	165.50 (L) x 77.8 (W) x 44.2 (H)		
Compliance	CE / FCC / RoHS		
Support Device	PUZZLE-IN001 PUZZLE-IN001A PUZZLE-IN004	PUZZLE-A001 PUZZLE-A001A	PUZZLE-IN005

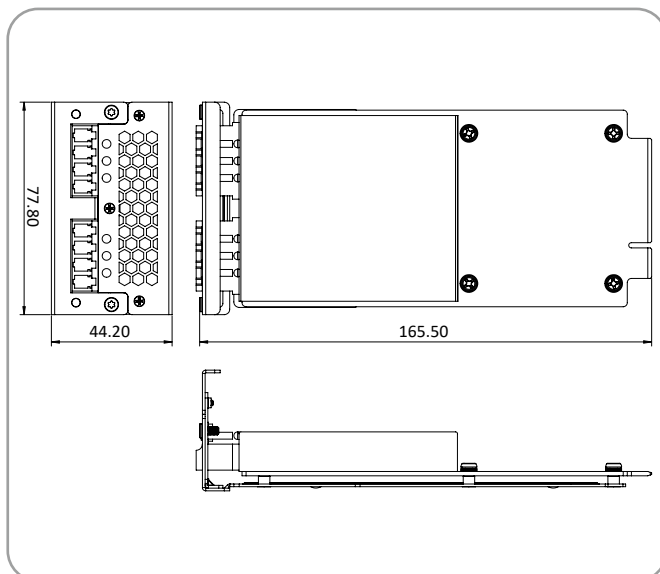
Ordering Information

Part No.	Description
PuIM-10G4SF-XL710-BP-R10	Intel® Ethernet Controller XL710-BM1 based Network Interface Card with four 10GbE Fiber ports, two pair Bypass, RoHS.
PuIM-10G4SF/T-XL710-BP-R10	Intel® Ethernet Controller XL710-BM1 based Network Interface Card with four 10GbE Fiber ports, two pair Bypass, RoHS.

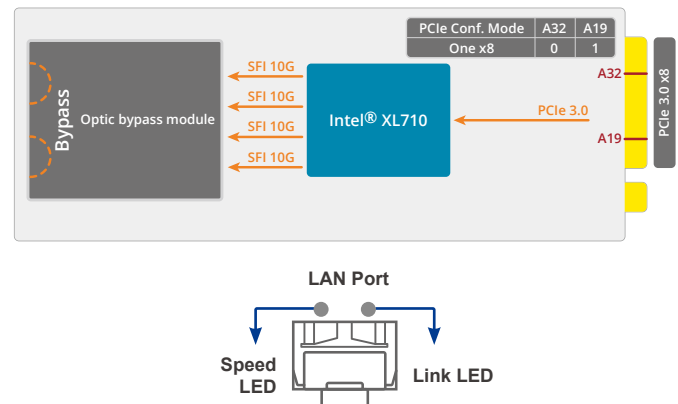
Packing List

Part No.	L-shaped T10 PuIM Wrench	Torx Screws	QIG
PuIM-10G4SF-XL710-BP-R10	1	2	1
PuIM-10G4SF/T-XL710-BP-R10	N/A	N/A	1

Dimensions (Unit: mm)



Block Diagram



LED	State	Description
Link (Right)	Yellow	Active
Speed (Left)	Green	10 Gbps data rate