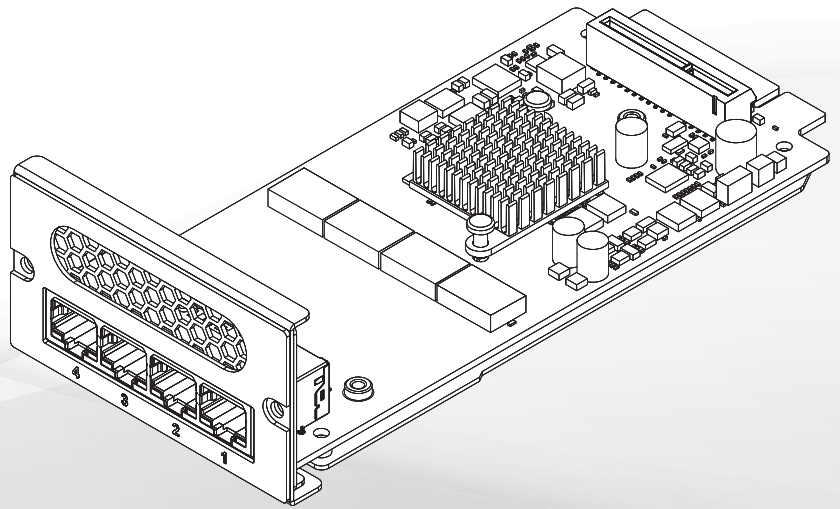




# PuM Series

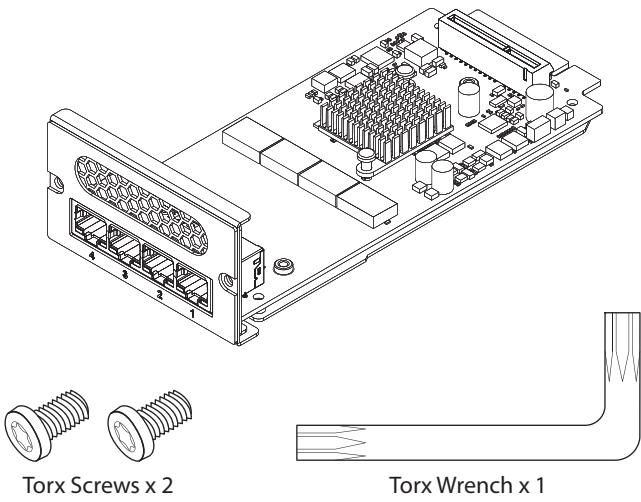
**PuM-1G4T-I350**



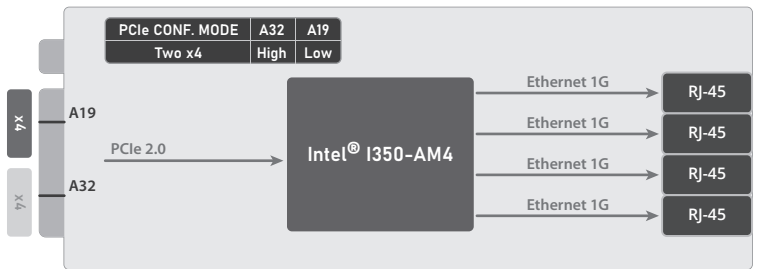
www.ieiworld.com

## Package Contents

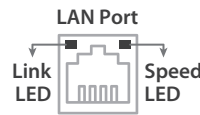
**PuM-1G4T-I350**



## PuM-1G4T-I350 Block Diagram

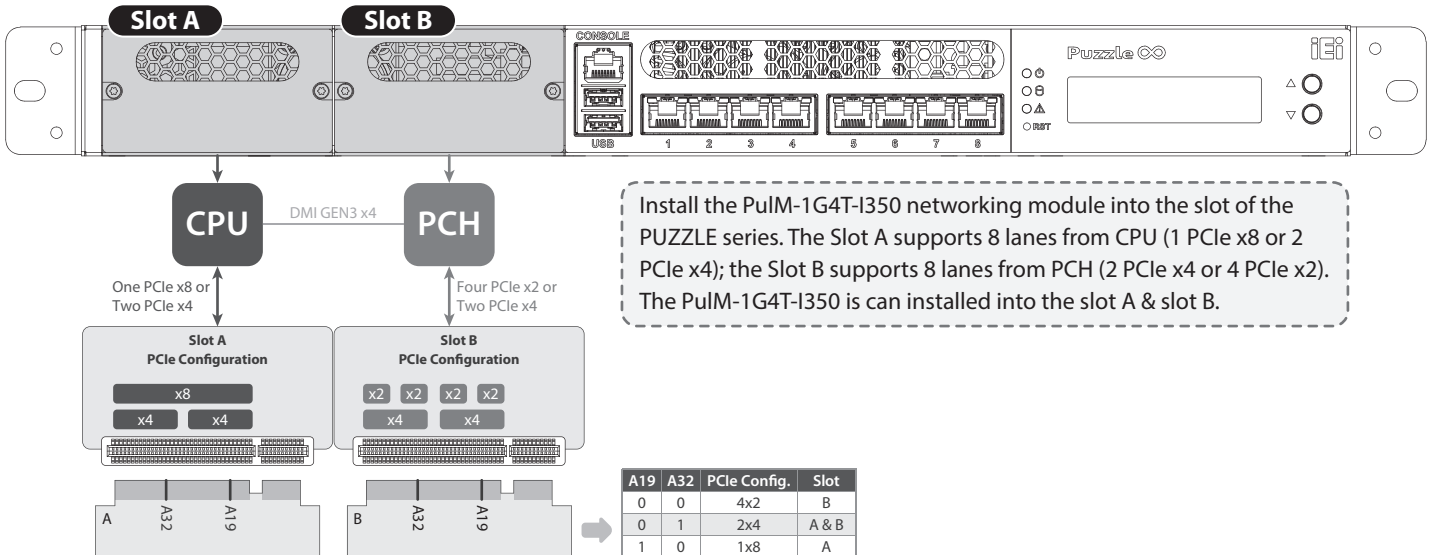


## LAN LED Status



LED	State	Description
Link (Left)	Yellow <input type="checkbox"/>	Active
Speed (Right)	Green <input type="checkbox"/>	1 Gbps data rate
	Orange <input type="checkbox"/>	100 Mbps data rate

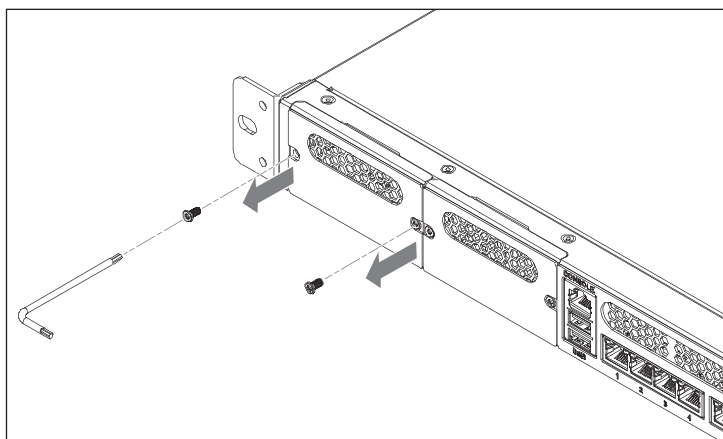
## Hardware Installation



# Networking Module Installation

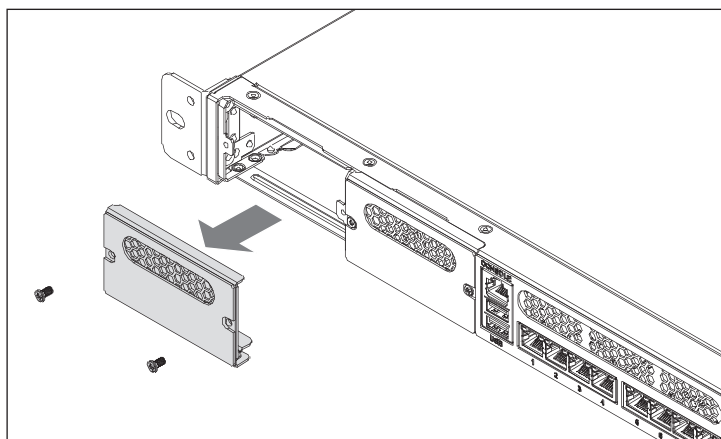
## Step 1

Use the Torx wrench to remove the two Torx screws.



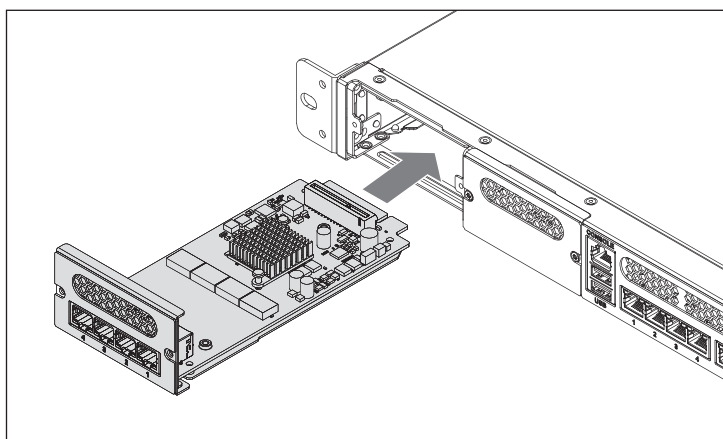
## Step 2

Remove the slot cover. Save the slot cover screws.



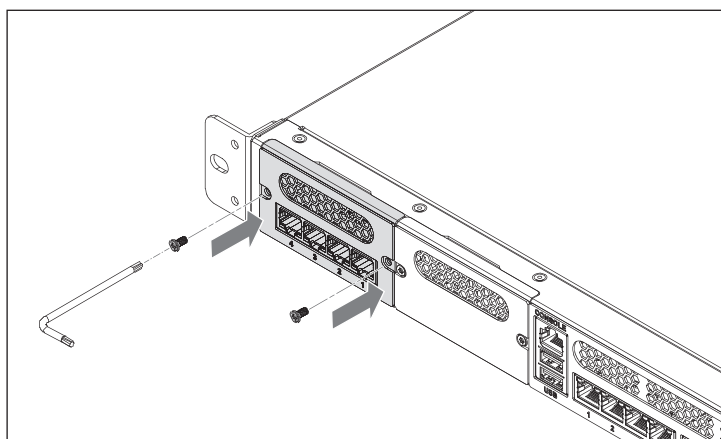
## Step 3

Slide an IEI networking module into the slot until the module is seated in the slot correctly and securely.



## Step 4

Install the previously-removed Torx screws to secure the module to the chassis.



威強電工業電腦 IEI Integration Corp.

No. 29, Zhongxing Rd., Xizhi Dist., New Taipei City 221, Taiwan  
TEL : +886-2-86916798 / +886-2-26902098 FAX : +886-2-66160028  
sales@ieiworld.com www.ieiworld.com

