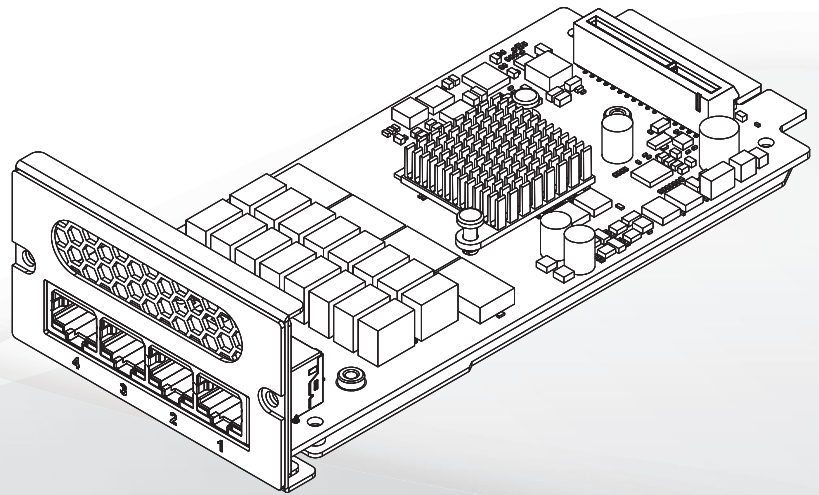


# PuIM Series

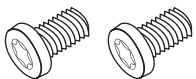
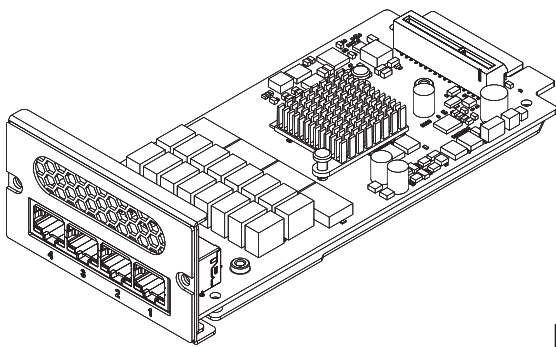
**PuIM-1G4T-I350-BP**



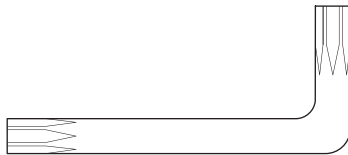
www.ieiworld.com

## Package Contents

**PuIM-1G4T-I350-BP**

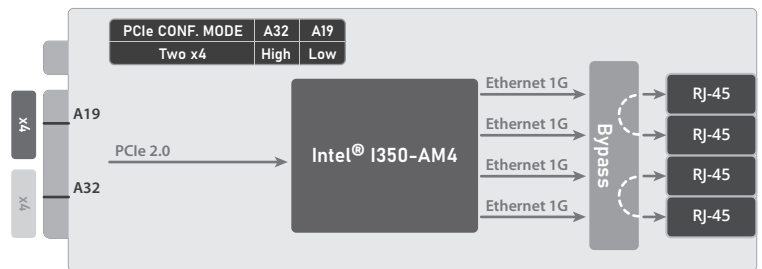


Torx Screws x 2

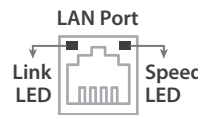


Torx Wrench x 1

## PuIM-1G4T-I211-BP Block Diagram

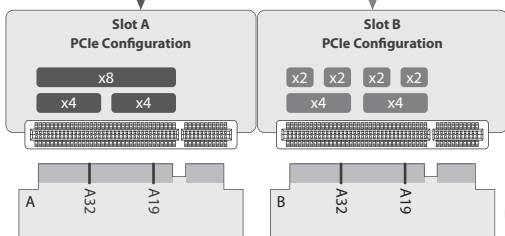
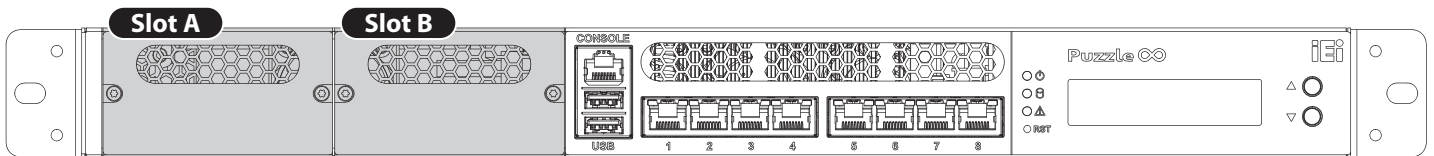


## LAN LED Status



LED	State	Description
Link (Left)	Yellow <input type="checkbox"/>	Active
Speed (Right)	Green <input type="checkbox"/>	1 Gbps data rate
	Orange <input type="checkbox"/>	100 Mbps data rate
Off (Left/Right)	Off	Bypass function

## Hardware Installation



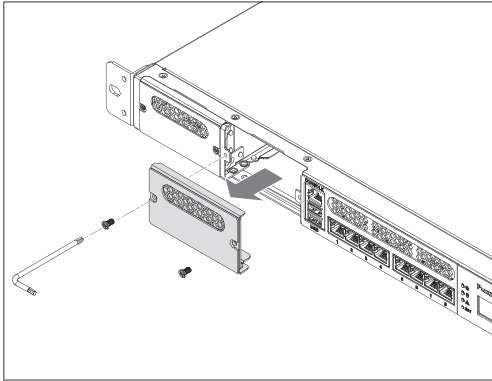
Install the PuIM-1G4T-I350-BP networking module into the slot of the PUZZLE series. The Slot A supports 8 lanes from CPU (1 PCIe x8 or 2 PCIe x4); the Slot B supports 8 lanes from PCH (2 PCIe x4 or 4 PCIe x2). The PuIM-1G4T-I350-BP is can installed into the slot A & slot B.

A19	A32	PCIe Config.	Slot
0	0	4x2	B
0	1	2x4	A & B
1	0	1x8	A

# Networking Module Installation

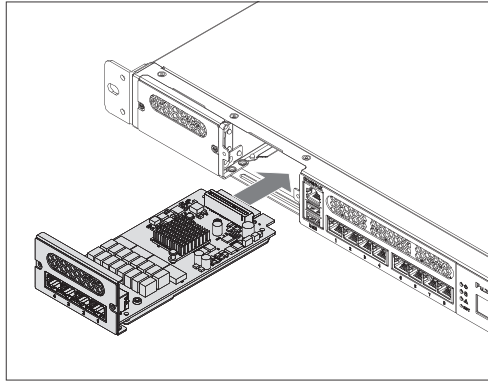
## Step 1

Use the Torx wrench to remove the two Torx screws. Remove the slot cover. Save the slot cover screws.



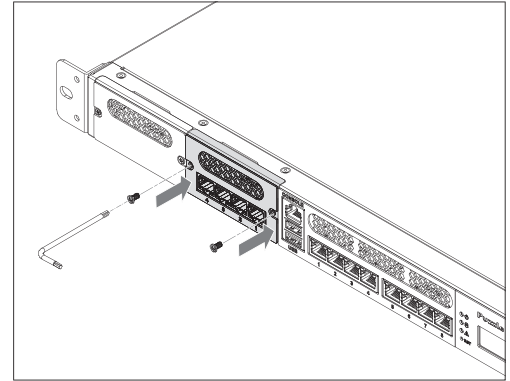
## Step 2

Slide an IEI networking module into the slot until the module is seated in the slot correctly and securely.



## Step 3

Install the previously-removed Torx screws to secure the module to the chassis.

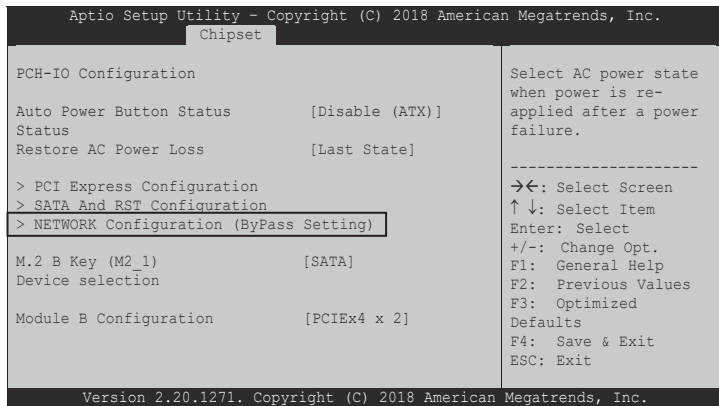


# Bypass Configuration in BIOS

Some PuLM modules support bypass. To enable/disable bypass function, configure the BIOS menu of the PUZZLE series as described below.

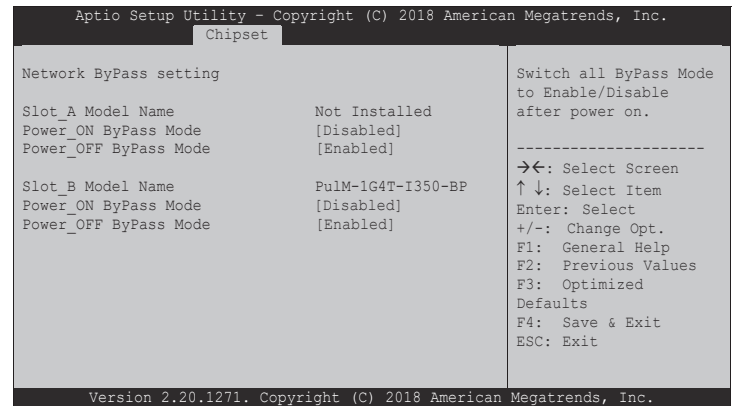
## Step 1

Go to Chipset → PCH - IO Configuration → NETWORK Configuration (Bypass Setting)



## Step 2

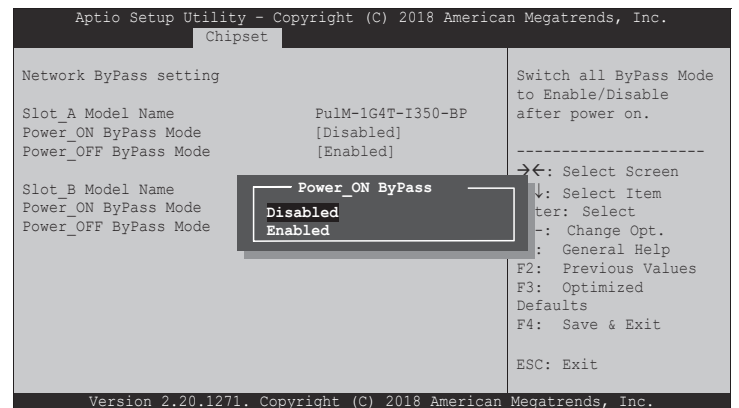
The **Network ByPass Setting** menu appears. The model names of the PuLM module installed in the PUZZLE series are shown.



## Step 3

Configure the Power\_ON ByPass Mode and the Power\_OFF ByPass Mode BIOS options to enable/disable bypass function of the installed PuLM modules.

PUZZLE BIOS Setting	Power_ON ByPass Mode		Power_OFF ByPass Mode	
	Disabled	Enabled	Disabled	Enabled
PuLM Bypass Function	Disable bypass when system on	Enable bypass when system on	Disable bypass when system off	Enable bypass when system off



## Step 4

Press **F4** to save and exit the BIOS menu. The PUZZLE series will reboot with the new settings.



威強電工業電腦 IEI Integration Corp.

No. 29, Zhongxing Rd., Xizhi Dist., New Taipei City 221, Taiwan  
 TEL : +886-2-86916798 / +886-2-26902098 FAX : +886-2-66160028  
 sales@ieiworld.com www.ieiworld.com

