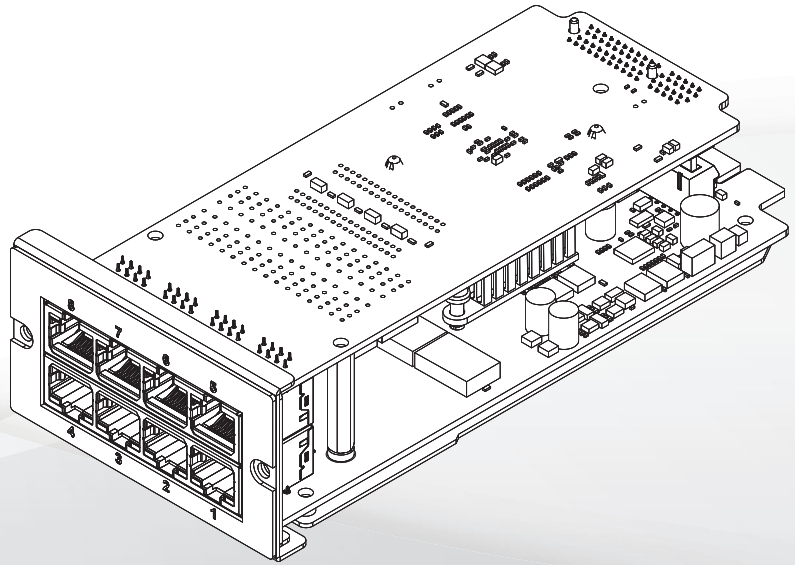




PuM Series

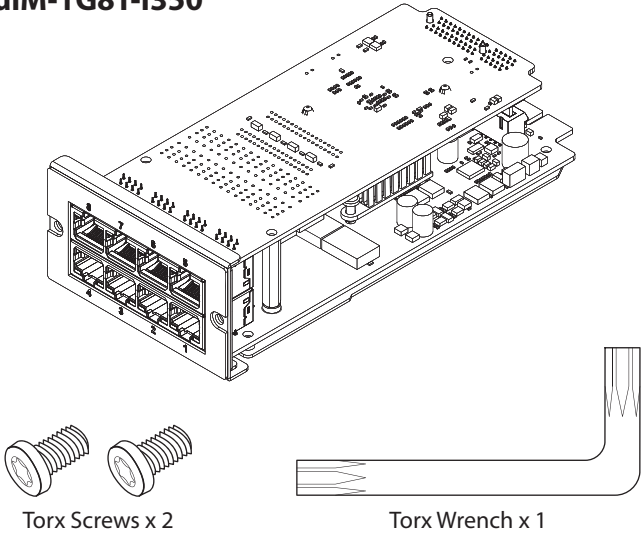
PuM-1G8T-I350



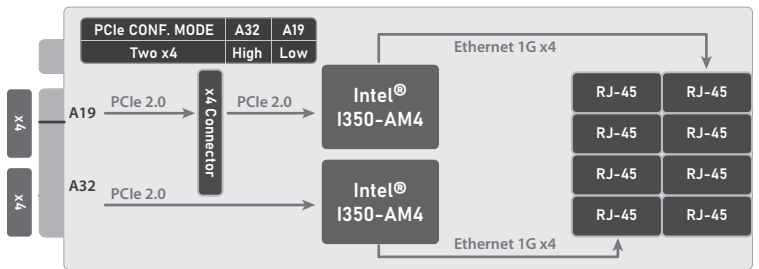
www.ieiworld.com

Package Contents

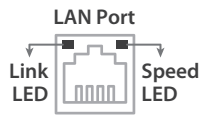
PuM-1G8T-I350



PuM-1G8T-I350 Block Diagram

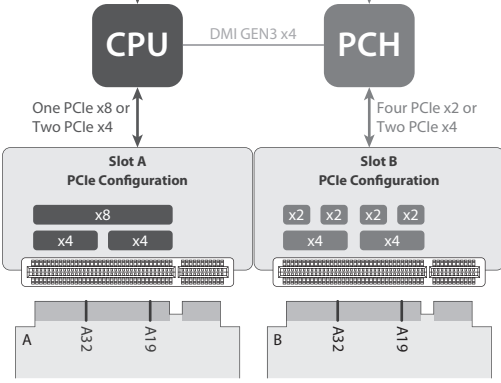
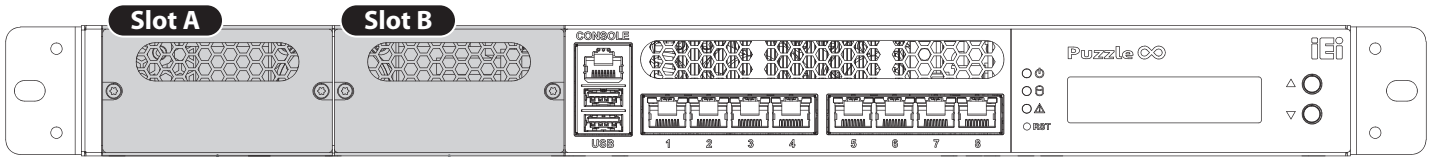


LAN LED Status



LED	State	Description
Link (Left)	Yellow <input type="checkbox"/>	Active
Speed (Right)	Green <input type="checkbox"/>	1 Gbps data rate
	Orange <input type="checkbox"/>	100 Mbps data rate

Hardware Installation



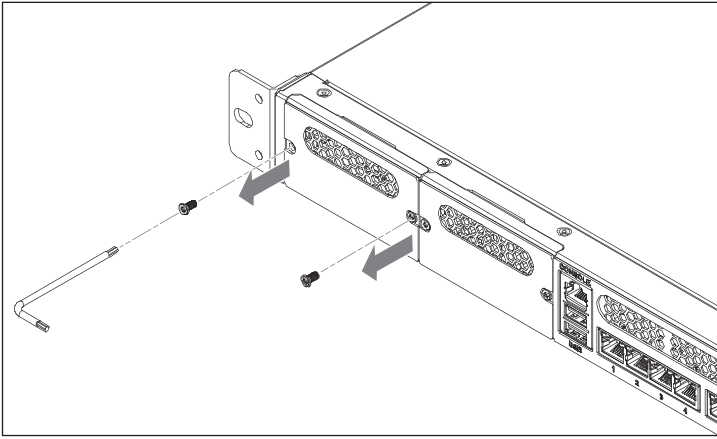
Install the PuM-1G8T-I350 networking module into the slot of the PUZZLE series. The Slot A supports 8 lanes from CPU (1 PCIe x8 or 2 PCIe x4); the Slot B supports 8 lanes from PCH (2 PCIe x4 or 4 PCIe x2). The PuM-1G8T-I350 is can installed into the slot A & slot B.

A19	A32	PCIe Config.	Slot
0	0	4x2	B
0	1	2x4	A & B
1	0	1x8	A

Networking Module Installation

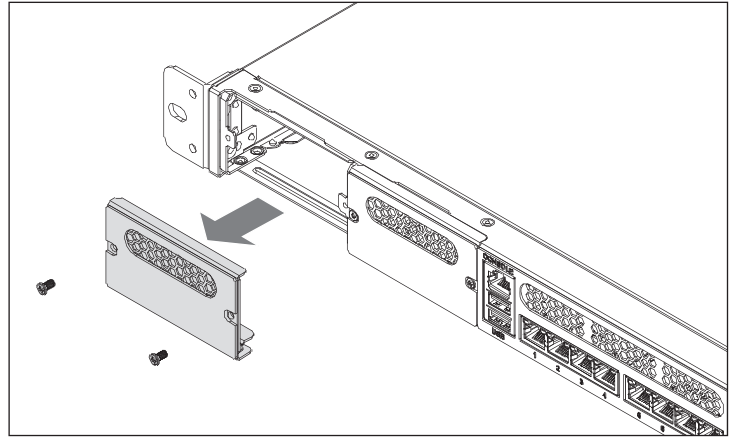
Step 1

Use the Torx wrench to remove the two Torx screws.



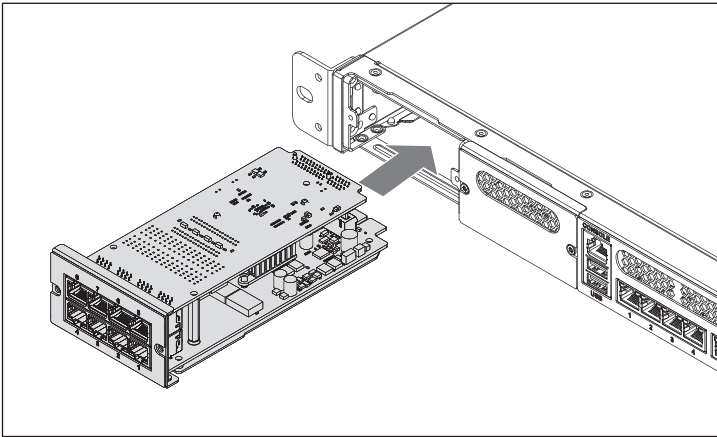
Step 2

Remove the slot cover. Save the slot cover screws.



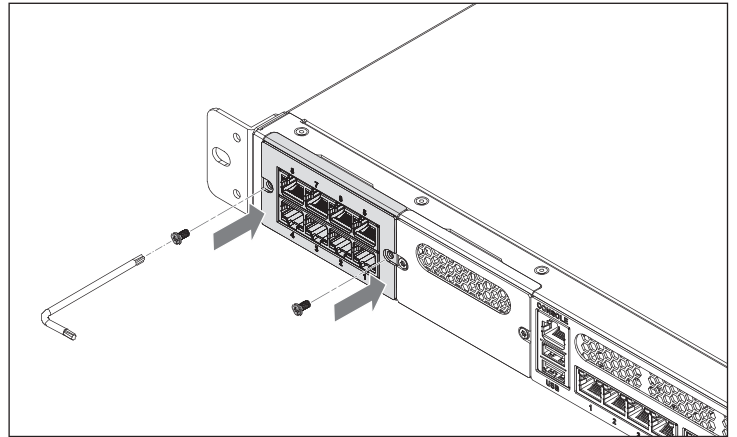
Step 3

Slide an IEI networking module into the slot until the module is seated in the slot correctly and securely.



Step 4

Install the previously-removed Torx screws to secure the module to the chassis.



威強電工業電腦 IEI Integration Corp.

No. 29, Zhongxing Rd., Xizhi Dist., New Taipei City 221, Taiwan
TEL : +886-2-86916798 / +886-2-26902098 FAX : +886-2-66160028
sales@ieiworld.com www.ieiworld.com

