

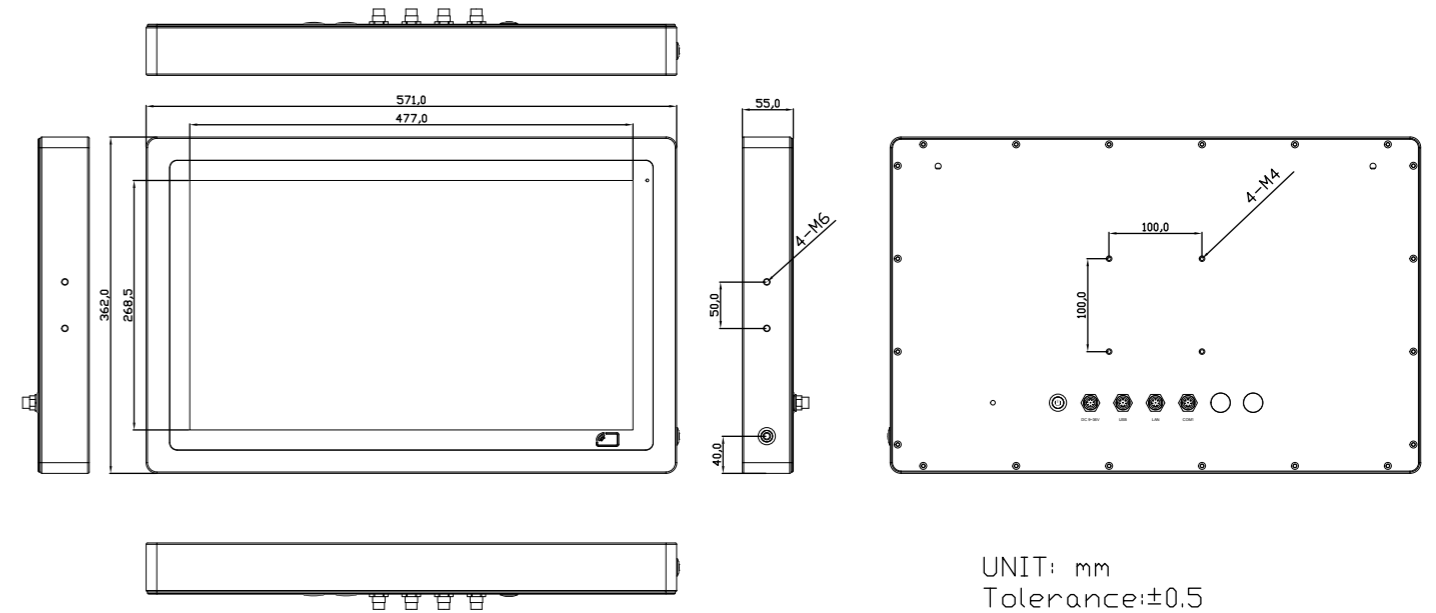
Features

- 21.5" New Generation Stainless Steel Panel PC
- 12th/13th Gen. Intel Core i3/i5 BGA Type Processor
- True Flat Front Bezel Design and Grade 304 Stainless Steel Enclosure (Grade 316 for Option)
- P66/IP69K Rated with M12 Connectors
- Support Resistive Touch, Projected Capacitive Touch
- Touch on/off Button on the Side Edge for Hygienic Cleaning
- Support Ergonomic Versatile Mounting: Yoke Mounting / Space-saving VESA 100 x 100mm Mounting

Specifications

| System | | |
|--------------------------------|---|--------------------------|
| CPU | Intel Core i3-1215U Processor, 6C8T, 10M Cache, 1.2GHz (4.4GHz) Intel Core i5-1235U Processor, 10C12T, 10M Cache, 1.3GHz (4.4GHz) | |
| System Chipset | SoC | |
| Memory | 2 x 260-pin SO-DIMM up to 64GB DDR4 3200MHz | |
| TPM | TPM 2.0 | |
| IO Port | | |
| USB | 1 x M12 8-pin for USB 2.0 with waterproof cover | |
| Serial / Parallel | 1 x M12 8-pin COM1, RS-232/422/485, default RS-232, with waterproof cover | |
| LAN | 1 x M12 8-pin for LAN with waterproof cover | |
| Others | 1 x Touch on/off button at the side | |
| Power Connector | 1 x M12 3-pin for DC power with waterproof cover 1 x Power switch on the rear | |
| Option | 2 x optional blank M12 connector with waterproof cover for selecting two from the following options: 2 x USB 2.0 1 x USB 3.0 1 x LAN 1 x COM | |
| Storage Space | | |
| M.2 | 1 x M.2 2280 M-Key (PCIex4) | |
| Expansion | | |
| Expansion slot | 1 x M.2 3402/3052 B-key (PCIe x1, USB3.2 Gen1) for optional LTE/5G module 1 x M.2 2230 E-Key (USB2.0, PCIe x1) for optional Wi-Fi/BT module 1 x Nano-SIM card | |
| RFID module | RFID module design on the front side (for option) | |
| Display | | |
| | Standard | High Brightness Optional |
| Display Type | 21.5" TFT-LCD | 21.5" TFT-LCD |
| Max. Resolution | 1920 x 1080 | 1920 x 1080 |
| Max. Color | 16.7M | 16.7M |
| Luminance (cd/m ²) | 250 | 1000 |
| View Angle | 178(H) /178(V) | 178(H) /178(V) |
| Contrast | 1000:1 | 1000:1 |
| Backlight Lifetime | 50,000 hrs | 50,000 hrs |
| Touch Screen | | |
| Type | Resistive Touch (for DR model) Projected Capacitive Touch (for DP model) | |
| Interface | USB | |
| Light Transmission(%) | Resistive Touch : 80% Projected Capacitive Touch : 90% | |

Dimensions



UNIT: mm
Tolerance:±0.5

| Power | |
|------------------------------|--|
| Power Input | DC 9~36V |
| Power Consumption | 89.06W |
| Mechanical | |
| Construction | 304 Stainless steel chassis(default), 316 Stainless steel chassis(optional) |
| Mounting | VESA mount 100 x 100, Yoke mount for optional |
| IP Rating | Total IP66/IP69K |
| Dimensions | 571 x 362 x 55 mm |
| Net Weight | 9.75 kg |
| Environmental | |
| Operating Temperature | 0~50°C |
| Storage Temperature | -30~70°C |
| Humidity | 10 to 95% @ 40°C, non-condensing |
| Certificate | CE/FCC Class A |
| Operating System Support | |
| Windows 10, Windows 11 | |
| Accessory | |
| 1 x M12 USB2.0 Y-Cable, L=3M | |
| Ordering Information | |
| ViTAM-921DP | 21.5" FHD IP66/IP69K stainless steel panel pc, Intel 12th/13th Gen. Core i Processor, 2 x SO-DIMM DDR4 slots, 128GB TLC SSD, projected capacitive touch, 9~36V DC power input with Adapter |
| ViTAM-921DR | 21.5" FHD IP66/IP69K stainless steel panel pc, Intel 12th/13th Gen. Core i Processor, 2 x SO-DIMM DDR4 slots, 128GB TLC SSD, 5 wire resistive touch window, 9~36V DC power input with Adapter |
| ViTAM-921DPH | 21.5" FHD1000 nits IP66/IP69K stainless steel panel pc, Intel 12th/13th Gen. Core i Processor, 2 x SO-DIMM DDR4 slots, 128GB TLC SSD, projected capacitive touch, 9~36V DC power input with Adapter |
| ViTAM-921DRH | 21.5" FHD1000 nits IP66/IP69K stainless steel panel pc, Intel 12th/13th Gen. Core i Processor, 2 x SO-DIMM DDR4 slots, 128GB TLC SSD, 5 wire resistive touch window, 9~36V DC power input with Adapter |