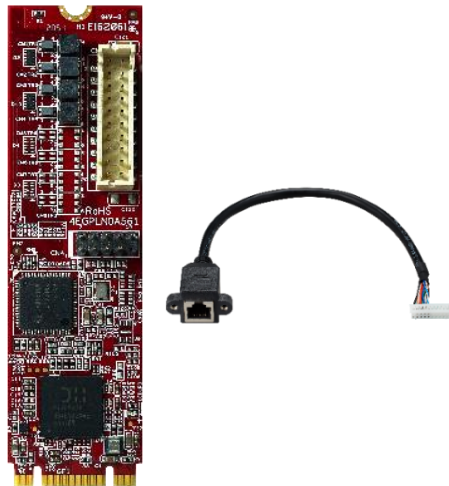


EGPL-G1N3

M.2 2280 to Single GbE LAN Module



HIGHLIGHT FEATURES

- Intel i210 controller
- Complies with EN61000-4-2 (ESD) Air-15kV, Contact-8kV
- Transformer on PCB for flexible cable design
- External LED indicator pin for speed 10 / 100 / 1000
- Optional Industrial Temperature (-40°C to 85°C) support
- 30μ" golden finger, 3-year warranty
- Industrial design, manufactured in Innodisk Taiwan

SPECIFICATIONS

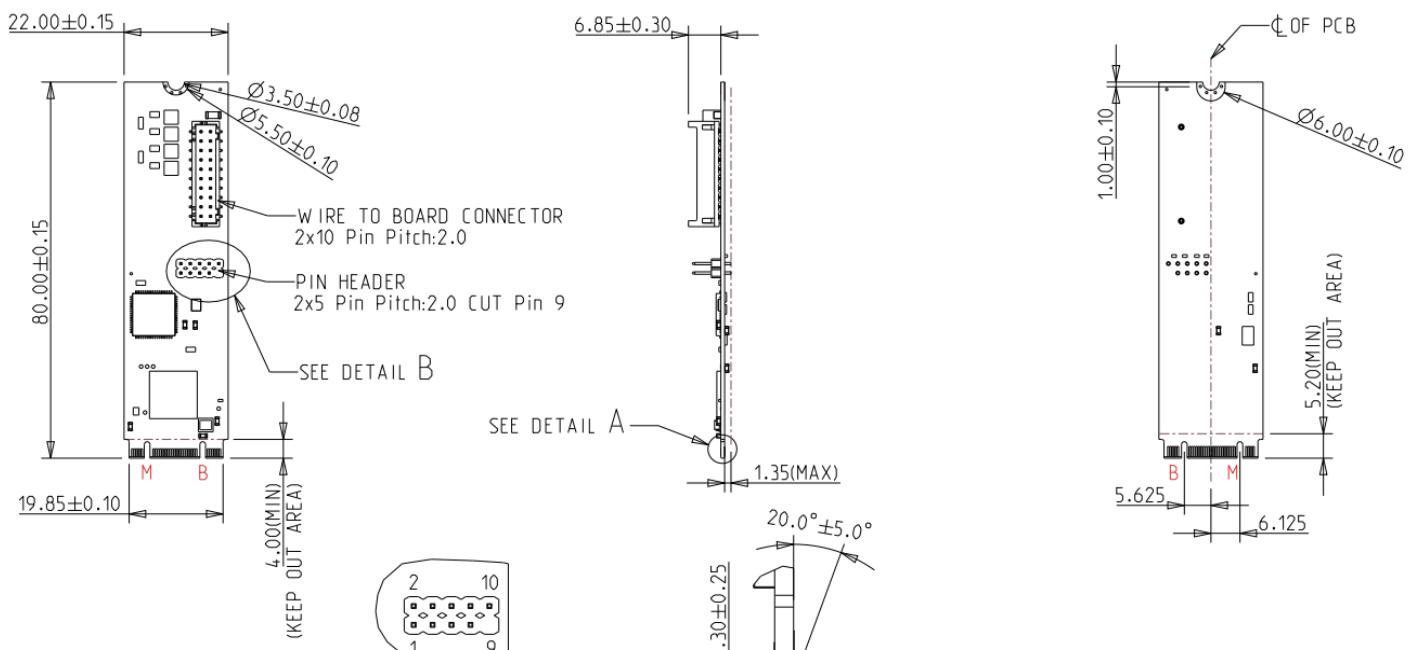
EGPL-G1N3

Model Name	EGPL-G1N3
Module Type	M.2 2280 to Single GbE LAN Module
Form Factor	M.2 2280 B+M Key
Function	LAN
Input I/F	PCI Express 2.1 x1
Output I/F	GbE LAN
Output Port	1
Output Connector	RJ45
Max. Power Consumption	1.6W (3.3V, 476mA)
Dimension (W x L x H/mm)	22 x 80 x 9
Temperature	Operation : S/T 0°C ~ 70°C ; W/T -40°C ~ 85°C (Ta) Storage : -55°C ~ 95°C (Ta)
Vibration	5G@[7~2000Hz]
Shock	50G@0.5ms
OS Support	Windows : XP (32bit), 7 (32 / 64bit), 8 / 8.1 (32 / 64 bit), 10 (32 / 64bit), and above version Linux : Kernel 2.4 series, 2.6.x, 3.x, and above version
Warranty	3 Years
Notes	Please download driver from Intel official website.

ORDER INFO.

P/N	Description
EGPL-G1N3-C1	M.2 2280 to Single GbE LAN Module / Standard Temperature
EGPL-G1N3-W1	M.2 2280 to Single GbE LAN Module / Wide Temperature

MECHANICAL DRAWING



HQ (Taiwan) T +886-2-7703-3000 / E sales@innodisk.com

CN T +86-755-2167-3689 / E sales_cn@innodisk.com

US T +1-510-770-9421 / E usasales@innodisk.com

EU T +31-40-3045-400 / E eusales@innodisk.com

JP T +81-3-6667-0161 / E jp_sales@innodisk.com

