



## EV8U-LSM1-RLCF

USB 2.0 8MP Fixed Focus Camera Module

### HIGHLIGHT FEATURES

- USB 2.0 Interface, 8MP @30fps (Max. Resolution)
- Supports Low Light Condition, ISP Inside
- Lens FOV (D/H/V) : 89° / 81° / 51°
- Compliant to USB 2.0 and USB Video Class
- Complies with CE / FCC Class A
- OS Support: Windows, Linux, Android, macOS (UVC)

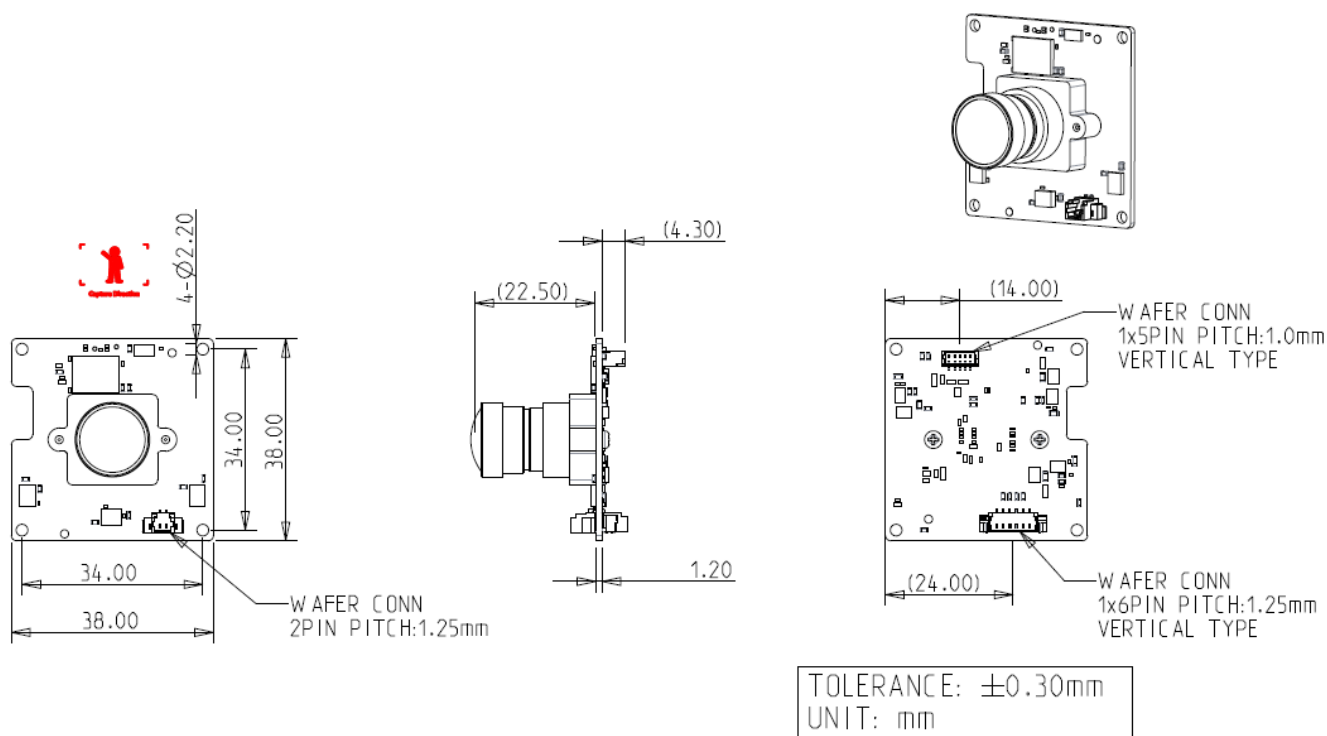
### SPECIFICATIONS

<b>Model Name</b>	EV8U-LSM1-RLCF
<b>Module Type</b>	USB 2.0 8MP Fixed Focus Camera Module
<b>Resolution (Max.)</b>	8MP
<b>Frame Rate (Max. Resolution)</b>	30fps
<b>Output I/F</b>	USB 2.0
<b>Sensor</b>	Sony IMX415
<b>Shutter</b>	Rolling
<b>Video Format</b>	YUV422, MJPEG
<b>Power Consumption</b>	Approximate 1W (MJPEG @Max. Resolution )
<b>Operating Temperature</b>	0°C ~ 70°C
<b>Sensor Size</b>	1/2.8"
<b>Pixel Size</b>	1.45μm
<b>Chroma Type</b>	Color
<b>Lens Type</b>	Fixed Focus (M12)
<b>Dimension (W x L x H/mm)</b>	38 x 38 x 28 41.4 x 41.4 x 44.8 (Housing)
<b>Lens FOV (D / H / V)</b>	89° / 81° / 51°
<b>OS Support</b>	Windows / Linux / Android / macOS
<b>Housing</b>	Board Level, Housing
<b>Features</b>	Low Light, DMIC
<b>Warranty</b>	3 Years
<b>Note</b>	For detailed resolution and frame rate combined application, please refer to product datasheet.

## ORDER INFO.

P/N	Description
EV8U-LSM1-RLCF-11	USB 2.0 8MP Fixed Focus Camera Module (USB cable included) Dimension : 38 x 38mm
EV8U-LSM1-RLCF-12	USB 2.0 8MP Fixed Focus Camera Module, with DMIC (USB cable included) Dimension : 38 x 38mm
EV8U-LSM1-RLCF-21	USB 2.0 8MP Fixed Focus Camera Module, Housing (USB cable included) Dimension : 41.4 x 41.4mm
7W2000000160	USB 2.0 cable 1 meter, 5 pins, pitch 1mm

## MECHANICAL DRAWING



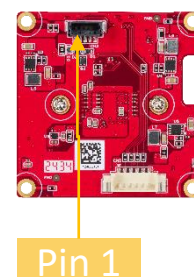
## RESOLUTION MATRIX

Resolution	YUV422	MJPEG
3840 x 2160	1fps	30 / 25 / 20 / 15 / 10 / 5fps
2592 x 1944	2fps	30 / 25 / 20 / 15 / 10 / 5fps
2048 x 1536	3fps	30 / 25 / 20 / 15 / 10 / 5fps
1920 x 1080	5fps	60 / 50 / 30 / 25 / 20 / 15 / 10 / 5fps
1600 x 1200	5fps	30 / 25 / 20 / 15 / 10 / 5fps
1280 x 720	10fps	60 / 50 / 30 / 25 / 20 / 15 / 10 / 5fps
640 x 480	30fps	60 / 50 / 30 / 25 / 20 / 15 / 10 / 5fps

## CONNECTOR PIN ASSIGNMENT

---

Pin #	Pin Name	Description
1	DCC	+5V
2	D-	Data-
3	D+	Data+
4	GND	Ground
5	GND	Ground



## LENS SPEC.

---

Items	Specification
F No.	2.6
Focal Length	3.25mm
Lens Structure	4G2P
Mount	M12 x P0.5 (S-mount)

## CABLE APPEARANCE

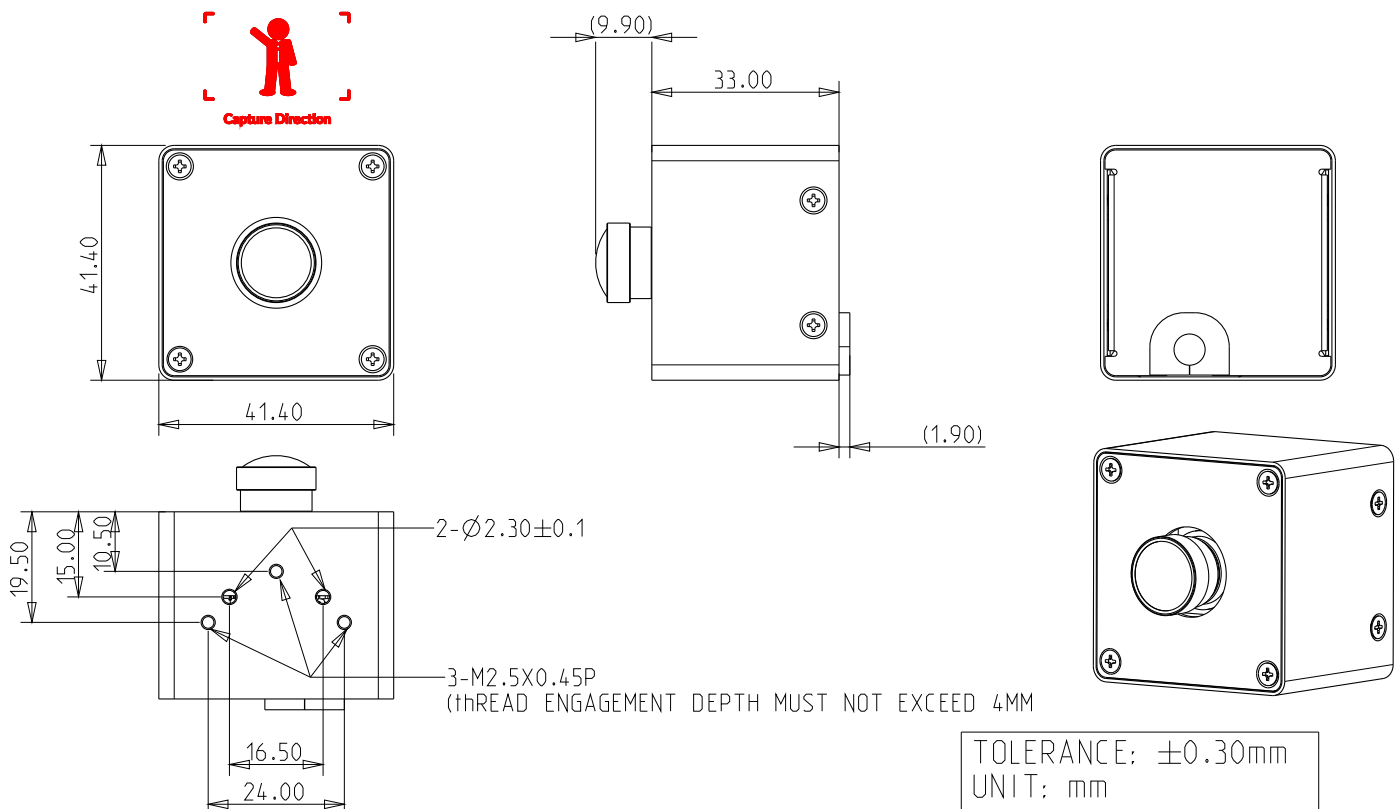
---



## PRODUCT (HOUSING)



## MECHANICAL DRAWING (HOUSING)



HQ (Taiwan) T +886-2-7703-3000 / E sales@innodisk.com

CN T +86-755-2167-3689 / E sales\_cn@innodisk.com

US T +1-510-770-9421 / E usasales@innodisk.com

EU T +31-40-3045-400 / E eusales@innodisk.com

JP T +81-3-6667-0161 / E jp\_sales@innodisk.com

**innodisk**