



Industrial SD Card 3TE4

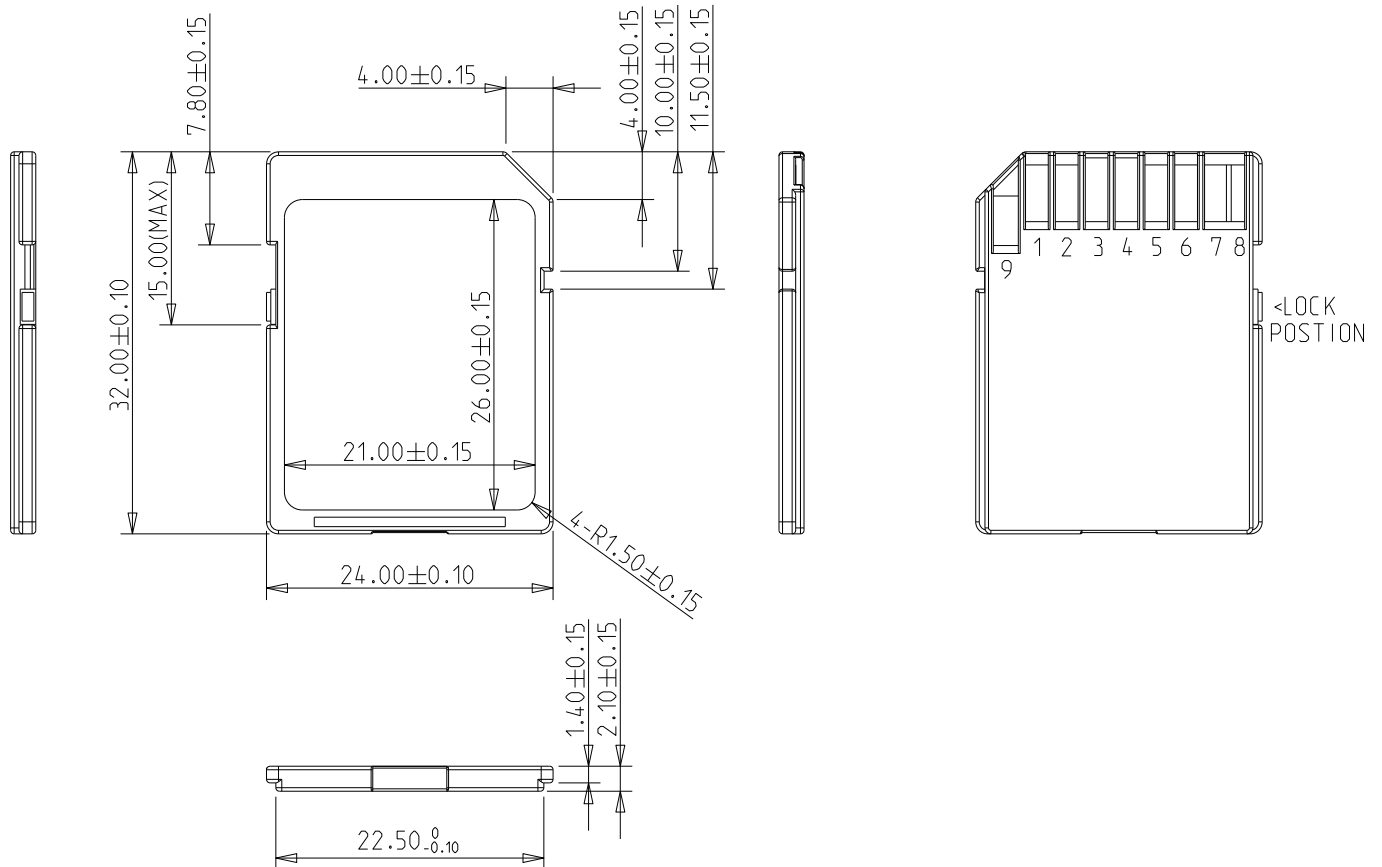
HIGHLIGHT FEATURES

- Compliant with SD 6.1 / SD 3.0 / SD 2.0 interface
- High performance
- Power fail management
- LDPC ECC algorithm implement

SPECIFICATIONS

Model Name	Industrial SD Card 3TE4
Flash Type	3D TLC
Interface	SD 6.1 / SD 3.0
Form Factor	SD Card
Capacity	32GB ~ 256GB
Sequential R / W (MB/sec, max.)	90 / 80
P/E Cycle	3,000
TBW (Max.)	681
Storage Temperature	-40°C ~ 85°C
Max. Power Consumption	0.7W
Max. Channels	1
External DRAM Buffer	N
H/W Write Protect	Y
S.M.A.R.T.	Y
AES	N
TCG Opal	N
Dimension (W x L x H/mm)	24.0 x 32.0 x 2.1
Vibration	20G@[7 ~ 2000Hz]
Shock	1500G@0.5ms
MTBF	>3 million hours
Warranty	3 Years

DIAGRAM



ORDER INFO.

Operating Temperature	Extended Grade (-25°C ~ 85°C)	Industrial Grade (-40°C ~ 85°C)
32GB	DESDC-32GS06EE1SL	DESDC-32GS06EW1SL
64GB	DESDC-64GS06KE1SL	DESDC-64GS06KW1SL
128GB	DESDC-A28S06KE1SL	DESDC-A28S06KW1SL
256GB	DESDC-B56S06KE1SL	DESDC-B56S06KW1SL

*32GB is only supported by 64 layers 3D TLC

HQ (Taiwan) T +886-2-7703-3000 / E sales@innodisk.com

CN T +86-755-2167-3689 / E sales_cn@innodisk.com

US T +1-510-770-9421 / E usasales@innodisk.com

EU T +31-40-3045-400 / E eusales@innodisk.com

JP T +81-3-6667-0161 / E jp_sales@innodisk.com

innodisk