

mSATA mini 3TE7



HIGHLIGHT FEATURES

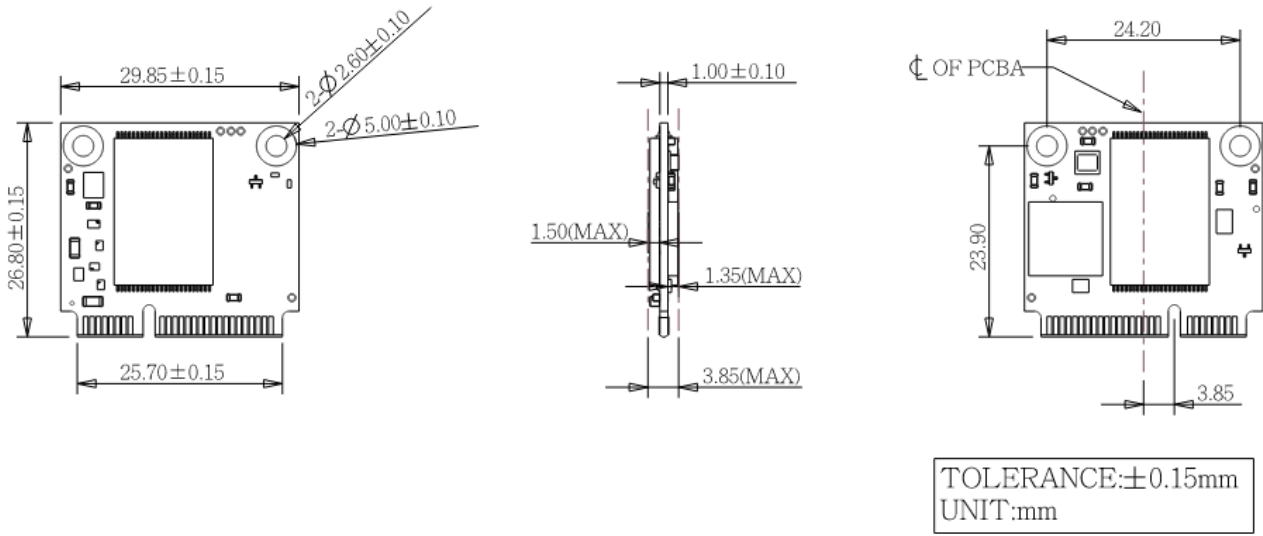
- mSATA SATA III solution for industrial field
- High IOPS
- iSMART disk health monitoring
- iPower Guard for protecting unstable start up and shut down
- iData Guard for abnormal power failure

SPECIFICATIONS

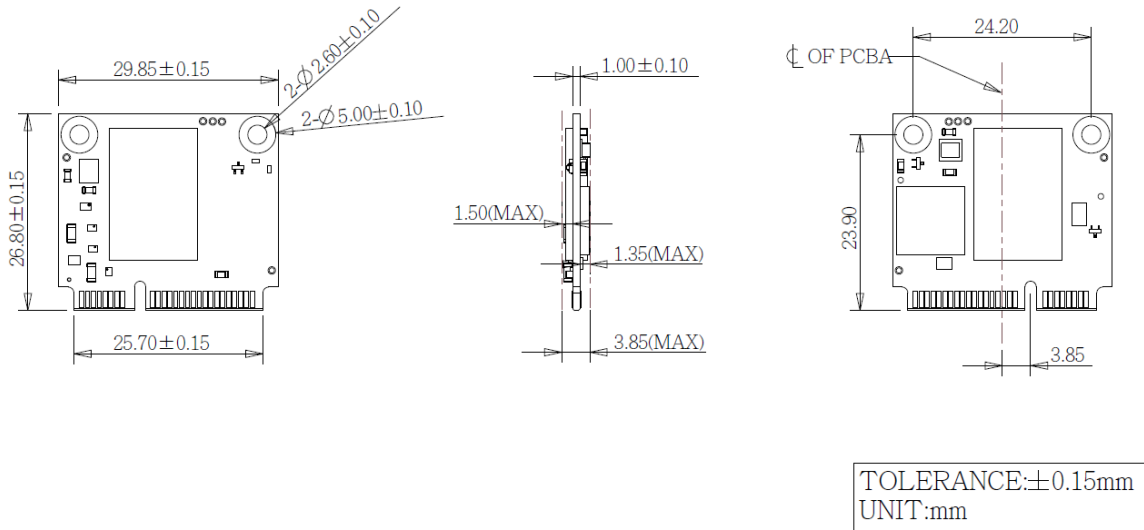
Model Name	mSATA mini 3TE7
Flash Type	3D TLC
Interface	SATA III 6.0 Gb/s
Form Factor	MO-300B
Capacity	32GB ~ 1TB
Sequential R / W (MB/sec, max.)	550 / 520
P/E Cycle	3,000
TBW (Max.)	1,200
Storage Temperature	-40°C ~ 85°C
Max. Power Consumption	1.7W
Max. Channels	4
External DRAM Buffer	N
H/W Write Protect	Y (Optional)
S.M.A.R.T.	Y
AES	Y (Optional)
TCG Opal	N
Dimension (W x L x H/mm)	29.85 x 26.8 x 3.85
Vibration	20G@[7 ~ 2000Hz]
Shock	1500G@0.5ms
MTBF	>3 million hours
Warranty	3 Years

DIAGRAM

TSOP



BGA



ORDER INFO.

Operating Temperature	Standard Grade (0°C ~ 70°C)	Industrial Grade (-40°C ~ 85°C)
32GB	DEMSM-32GDK1EC1SF	DEMSM-32GDK1EW1SF
64GB	DEMSM-64GDK1EC1DF	DEMSM-64GDK1%W*&F
128GB	DEMSM-A28DK1%C*DF	DEMSM-A28DK1%W*DF
256GB	DEMSM-B56DK1%C*&F	DEMSM-B56DK1%W*&F
512GB	DEMSM-C12DK1%CAQF	DEMSM-C12DK1%WAQF
1TB	DEMSM-01TDK1KCAQF	-

% : E : 64 layers 3D TLC / K : 112 layers 3D TLC
 * : PCB version control
 & . S : 1 channel / D : 2 channels / Q : 4 channels

HQ (Taiwan) T +886-2-7703-3000 / E sales@innodisk.com

CN T +86-755-2167-3689 / E sales_cn@innodisk.com

US T +1-510-770-9421 / E usasales@innodisk.com

EU T +31-40-3045-400 / E eusales@innodisk.com

JP T +81-3-6667-0161 / E jp_sales@innodisk.com

