

DS-380

Outdoor Fanless Intelligent PC Intel® Core™ Ultra 5 Processor

Preliminary



Features

- Intel® Core™ Ultra 5, 125H / 135H
- Dual Channel DDR5 SODIMM, up to 48GB
- 4 x HDMI display output, resolution up to 4K(3840 x 2160), HDMI 1 support 8K
- Rich I/O: 2 x LAN, 4 x USB, 1 x COM, 1 x IR Jack
- AI Frameworks support by 10 Tops NPU
- Optional TPM 2.0 Chip / fTPM 2.0
- vPro® for enterprise-grade security, high performance, remote manageability
- Support WISE-iVisionSuite

WISE-PaaS/SignageCMS WISE-DeviceOn

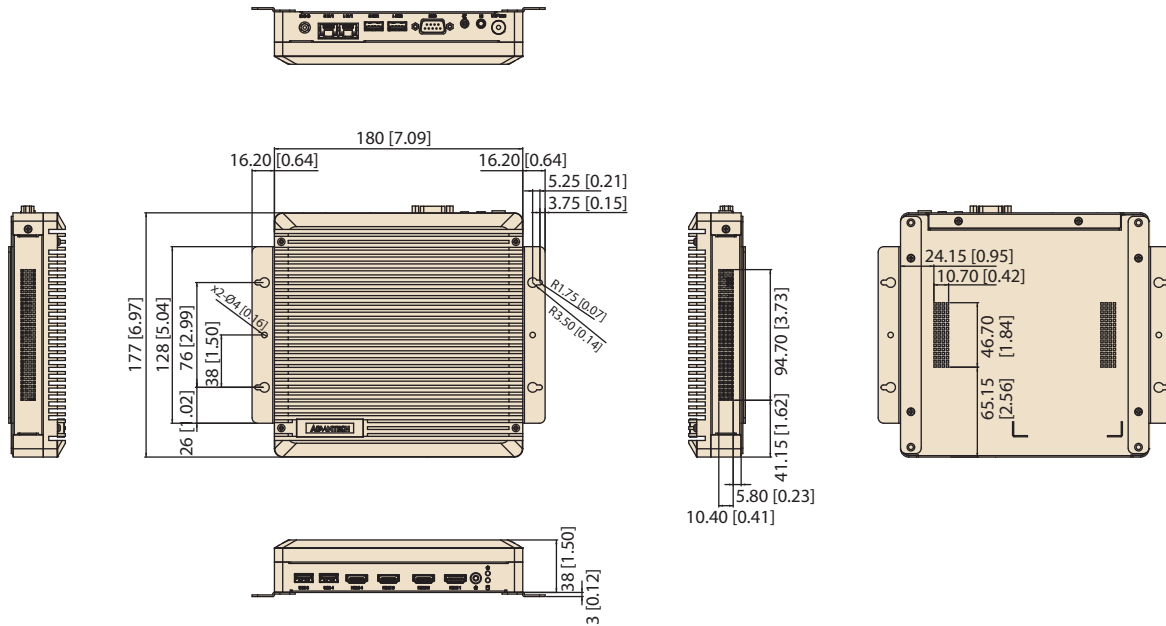
Specifications

		DS-3800F-U0A1E	DS-3800F-U1A1E	DS-3800F-U1A2E
Processor	Chipset	Intel® Core™ Ultra 5, 135H (vPro)	Intel® Core™ Ultra 5, 125H	Intel® Core™ Ultra 5, 125H
	BIOS	AMI uEFI 256 Mbit		
Memory	Technology	DDR5 4800/5600Mhz Support		
	Max. Capacity	24GB per DIMM		
	Socket	2 x SO-DIMM		
CPU TDP		28W	28W	28W
Thermal Solution		Fanless		
NPU	AI Engine	Intel® AI Boost, 11 TOPs		
	Graphics Engine	Intel® Arc™ graphics		
Display	HDMI Ports	4 x 4K60 (4 x 3840*2160)		
	HDMI note	HDMI1 8K60 (7860*4320)		
	CEC	BOM Option (By project support)		
	Controller	i226V+i226LM	i226V+i226LM	i226V+i226LM
Ethernet	Interface	2.5 Gigabit LAN Controller		
	Connector	2 x RJ45 (vPro @ LAN1)	2 x RJ45	2 x RJ45
I/O Interfaces	Audio	1 x (Line-Out or Mic-In)		
	USB	2 x USB 3.2 Gen1, 2 x USB 2.0		
	Serial Port (RS-232)	1 X RS232 (Tx, Rx)		
	LED Indicators	1 x Power, 1 x SSD Access		
	IR Phone Jack	1 x IR Phone Jack		
	Function Port	1 x EDID CLRBTN	1 x EDID CLRBTN	--
Expansion	M.2	2242 M-Key (NVMe) 2230 E-Key (PCIe & USB2.0) ^{#1}		
	Input Voltage	19 V DC-in (ATX/AT mode)		
Watchdog Timer	Output	Interrupt, system reset		
	Interval	255-level timer interval, setup by software		
Trusted Platform Module	TPM 2.0	fTPM 2.0, Default TPM 2.0 (NPCT764AABYX), BOM option by project support		
	Mounting	Wall Mount		
Physical Characteristics	Dimensions (W x D x H)	180 x 177 x 38 mm		
	Weight	2 kg		
	Operating Temperature	-10 ~ 50 °C (with 0.7m/s air flow)		
Environment	Relative Humidity	95% @ 40 °C (non-condensing), operating		
	Operating System	Windows 11 IoT LTSC / Win 10 IoT LTSC		
Operating System	Linux	Support by project		
	EMC	CE/FCC Class B, BSMI, UKCA		
Certifications	Safety	UL, CB, BSMI		

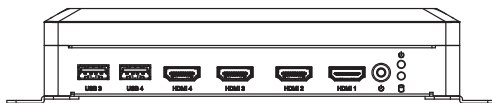
#1 M.2 E key slot are hardware interfaces for wireless communication integration only. RF Certification is not available.

Dimensions

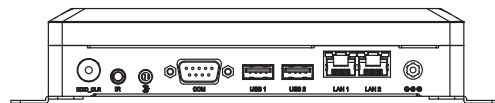
Unit: mm



Front View

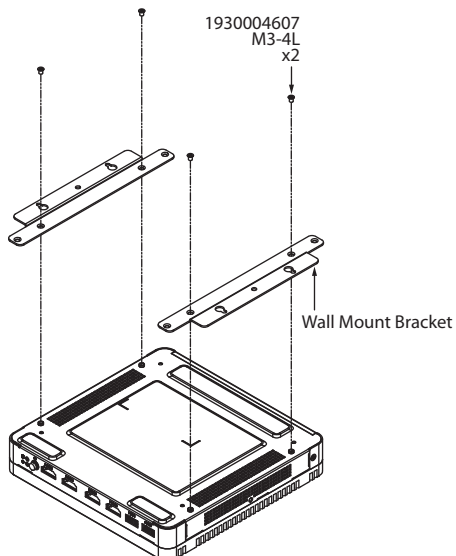


Rear View

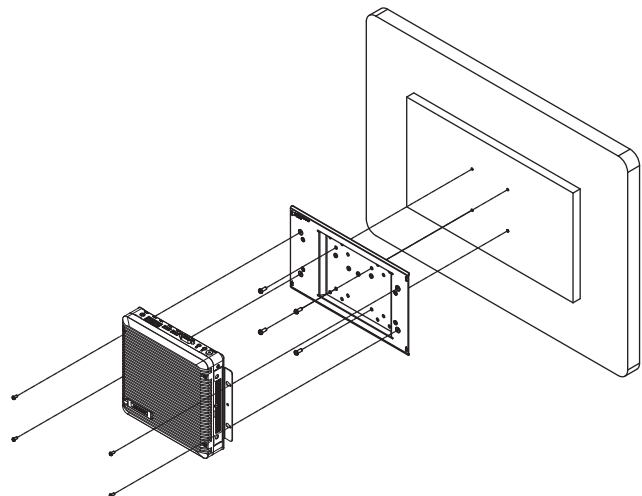


Installation Scenarios

Wall Mount



VESA Mount (optional)



Ordering Information

Part Number	Description
DS-3800F-U0A1E	DS-380, 135H vPro, 2LAN, EDID, Barebones
DS-3800F-U1A1E	DS-380, 125H, 2LAN, EDID, Barebones
DS-3800F-U1A2E	DS-380, 125H, 2LAN, wo EDID, Barebones

Note: RAM / Storage and Operating System bundled by request

Packing List

Part Number	Description
-	1 x DS-380
-	1x 19V Power Adapter
-	2 x Wall mount bracket and 4 screws

DRAM and Storage

Part Number	Description
SQR-SD5N8G5K6HNGAG	SODIMM DDR5 5600 8GB
SQR-SD5N16G5K6HNAG	SODIMM DDR5 5600 16GB
SQR-SD5N24G5K6M	SODIMM DDR5 5600 24GB
SQF-C4MV2-128GDEDM	PCIe/NVMe M.2 2242 128G
SQF-C4MV2-256GDEDM	PCIe/NVMe M.2 2242 256G
SQF-C4MV2-512GDEDM	PCIe/NVMe M.2 2242 512G
SQF-C4MV4-1TDEDM	PCIe/NVMe M.2 2242 1TB

Note: RAM and storage listed in the table are wide temp. version. Standard temp. options are also available by request.

Embedded OS

Part Number	Description
TBD	Win11 IoT LTSC EN, 64b Value
TBD	Win10 IoT LTSC EN, 64b Value

Power Cord

Part Number	Description
1700001524	3-pin power cord (US)
170203183C	3-pin power cord (EU)
170203180A-01	3-pin power cord (UK)
1700008921	3-pin power cord with PSE (Japan)
1700019146	3-pin power cord (CCC)
1700018553	3-pin power cord (AU)
1700024849-01	3-pin power cord (TW)

Optional Items

Part Number	Description
1960056999T301	VESA Mount Bracket