

EB022-2M4F

MIPI CSI-2 22-pin x2 to GMSL2 IPEX FAKRA Z x4 Adapter Board

HIGHLIGHT FEATURES

- Camera Interface : GMSL2™ FAKRA Z x4
- Host Interface : MIPI CSI-2 22-pin x2
- Deserializer Chipset (Onboard) : MAXIM MAX96724

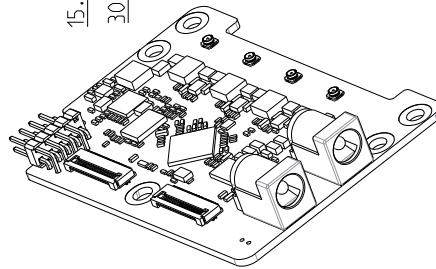
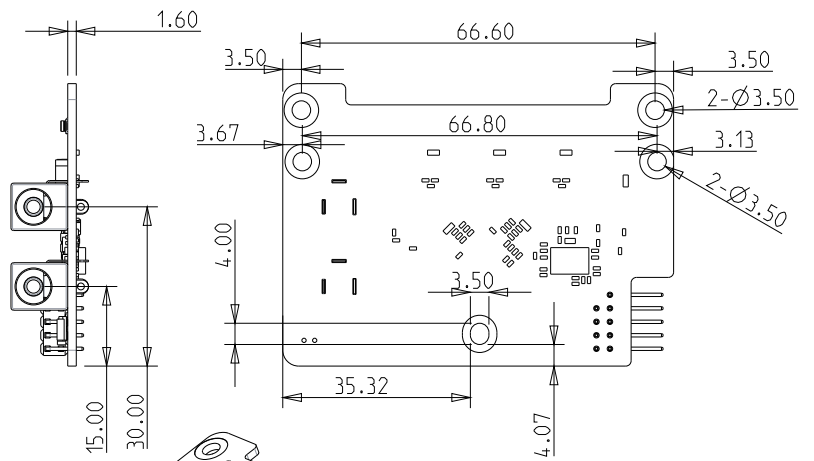
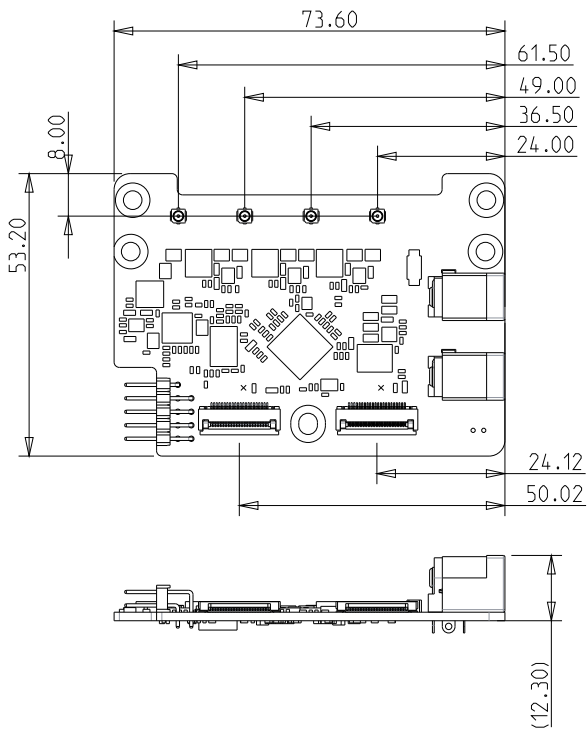
SPECIFICATIONS

Model Name	EB022-2M4F
Module Type	MIPI CSI-2 22-pin x2 to GMSL2 IPEX FAKRA Z x4 Adapter Board
Camera I/F	GMSL2
Camera I/F Port	4
Host I/F	MIPI CSI-2 22-pin
Host I/F Port	2
Chipset	MAXIM MAX96724
Power Source	12V DC Jack
Power Consumption (Avg.)	1.3W
Operation Temperature	-30°C ~ 70°C
Dimension (W x L x H/mm)	73.6 x 53.2 x 12.3
Warranty	3 Years

ORDER INFO.

P/N	Description
EB022-2M4F-11	MIPI CSI-2 22-pin x2 to GMSL2 IPEX FAKRA Z x4 Adapter Board Dimension : 73.6 x 53.2mm
9Z9000000100	Adapter, 100 ~ 240V AC, 12V DC, 60W, DC Jack

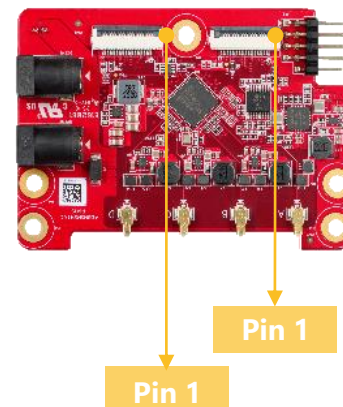
MECHANICAL DRAWING



TOLERANCE: ± 0.20 mm
 UNIT: mm

CONNECTOR PIN ASSIGNMENT

Pin #	Pin Name	Description
1	GND	Ground
2	CAM_D0_N	CSI Data 0
3	CAM_D0_P	CSI Data 0
4	GND	Ground
5	CAM_D1_N	CSI Data 1
6	CAM_D1_P	CSI Data 1
7	GND	Ground
8	CAM_CK_N	CSI Clock
9	CAM_CK_P	CSI Clock
10	GND	Ground
11	CAM_D2_N	CSI Data 2
12	CAM_D2_P	CSI Data 2
13	GND	Ground
14	CAM_D3_N	CSI Data 3
15	CAM_D3_P	CSI Data 3
16	GND	Ground
17	CAM_PWDN	Camera Power-down
18	CAM_MCLK	Camera Master Clock
19	GND	Ground
20	CAM_SCL	I2C Clock (3.3V)
21	CAM_SDA	I2C Data (3.3V)
22	CAM_3V3	+3.3V



HQ (Taiwan) T +886-2-7703-3000 / E sales@innodisk.com

CN T +86-755-2167-3689 / E sales_cn@innodisk.com

US T +1-510-770-9421 / E usasales@innodisk.com

EU T +31-40-3045-400 / E eusales@innodisk.com

JP T +81-3-6667-0161 / E jp_sales@innodisk.com

innodisk